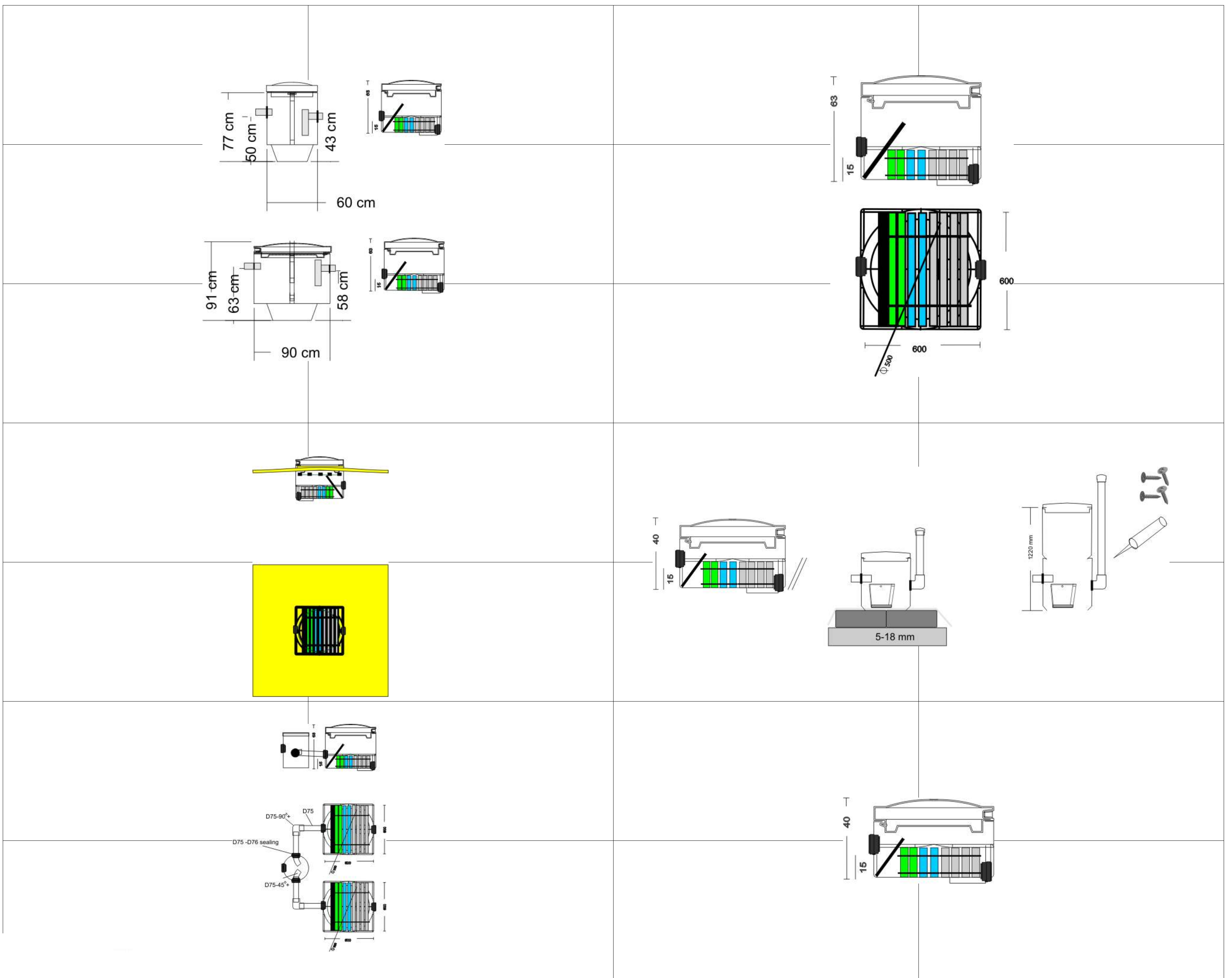
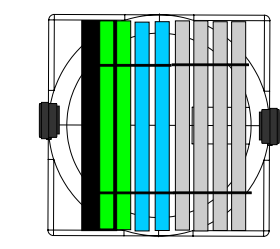
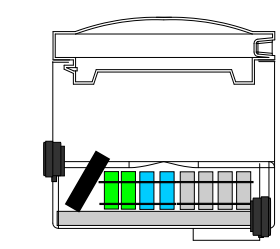




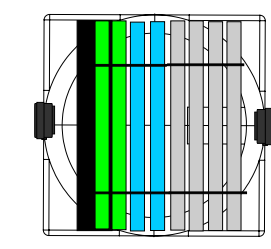
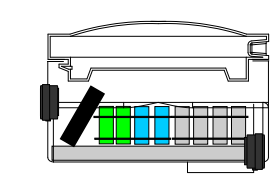
BioBox M (SLIM) | SOVELLUKSET | APPLICATIONS | APPLIKATIONER



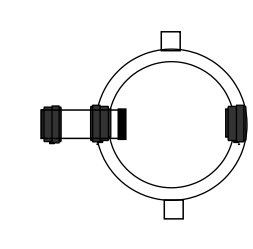
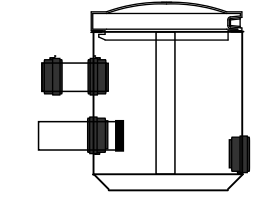
BioBox M



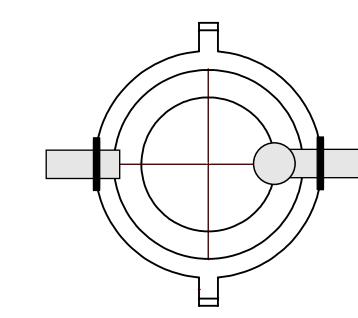
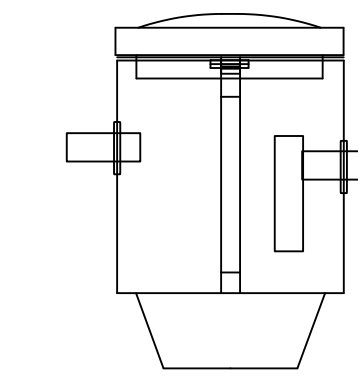
BioBox Slim



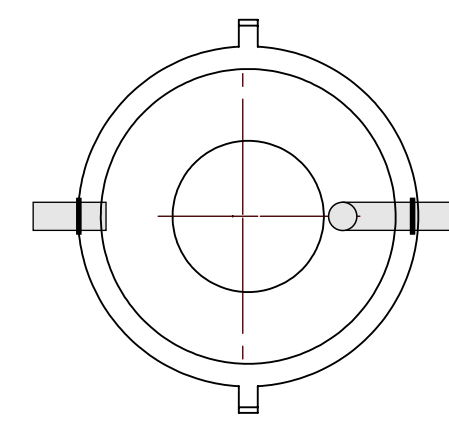
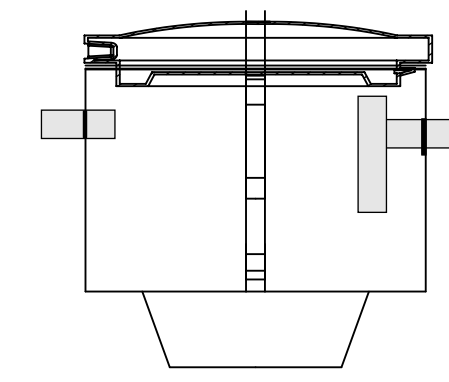
Kk400



Sk100

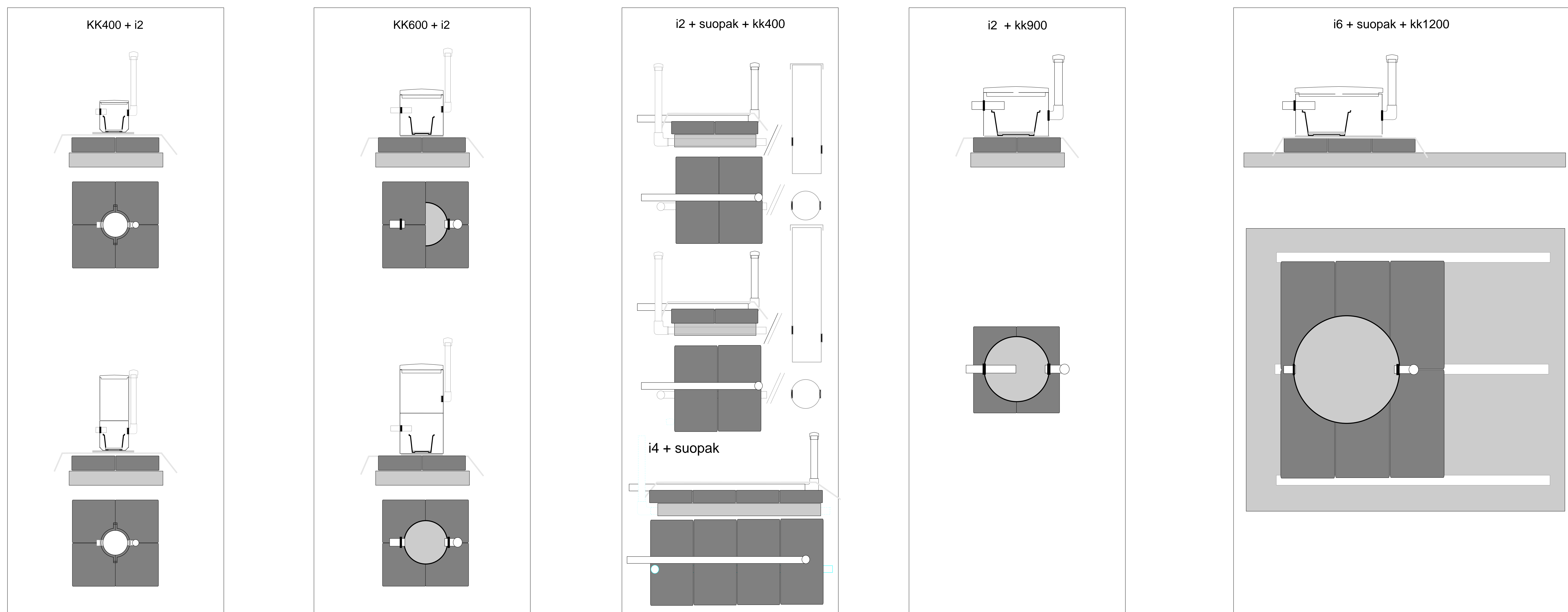


Sk250



		Scale:
		1:20
	BioBox M SLIM	2022
raitabiobox.com		

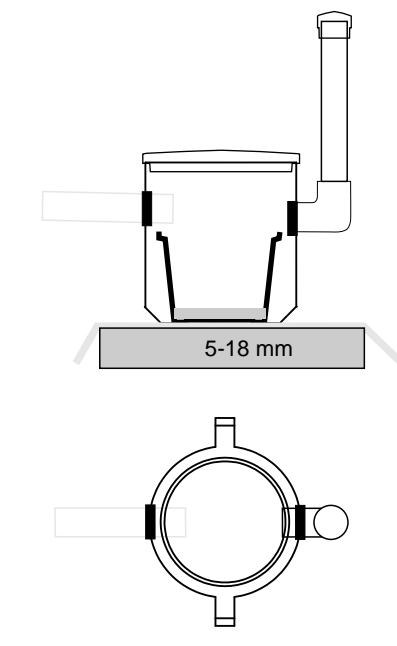
bm9 / bm16



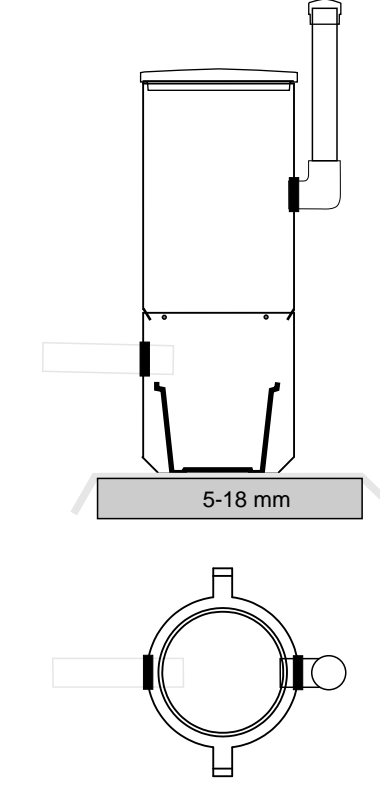
Murske / sepeli 10-20 cm esim. 5-18 mm imeytysalueelle. Imeytysalue (m2) = vesimäärä / maan imeytyskyky (esim 400 l // 24 h / 40 l / 24 h = 10 m2)
 Gravel / macadam (no fines) eg 5-18 mm for absorption area. Absorption area (m2) = water volume / soil absorption capacity
 (eg 400 l // 24 h / 40 l / 24 h = 10 m2)
 Grus / makadam (inga finämnen) t.ex. 5-18 mm för absorptionsarea. Absorptionsarea (m2) = vattenvolym / jordabsorptionskapacitet
 (t.ex. 400 l // 24 h / 40 l / 24 h = 10 m2)

		Scale: 1:20
	Moduuli imeytykset - suodatukset 2022	
raita.com		

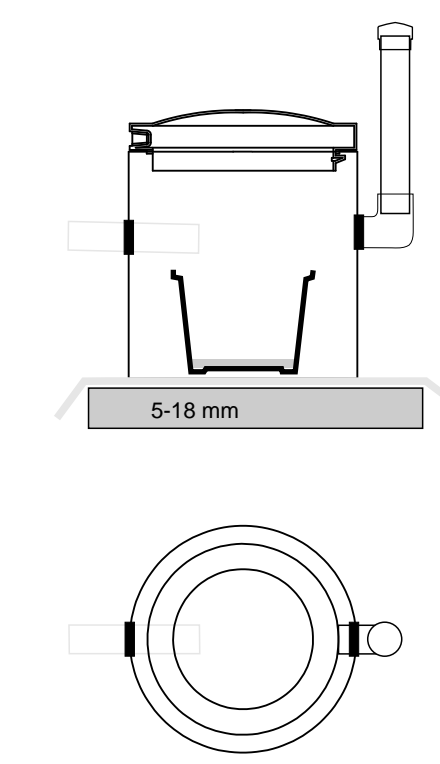
D400 mm | Art no KK 400



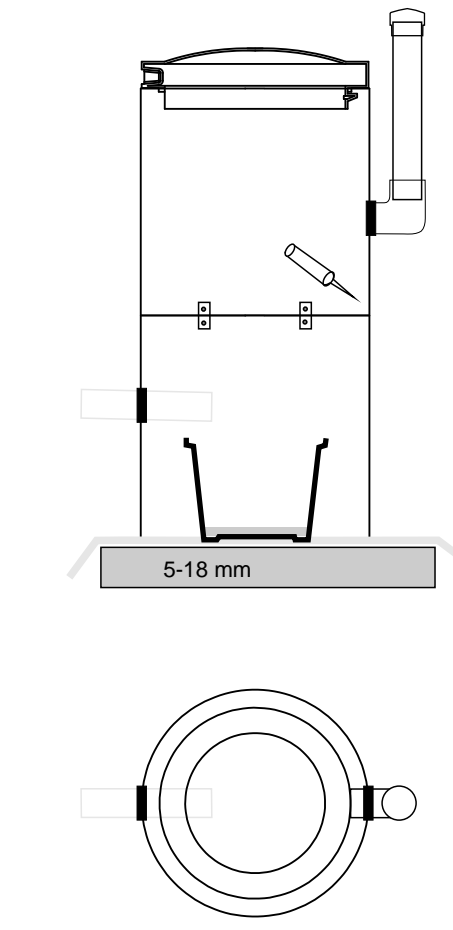
D400 mm + pakor D600 |
Art no KK 400 + PA KOR 040/43



D600 mm | Art no KK 600



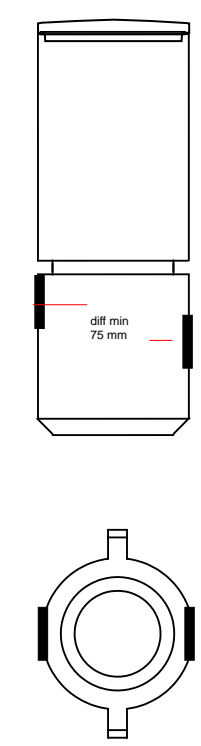
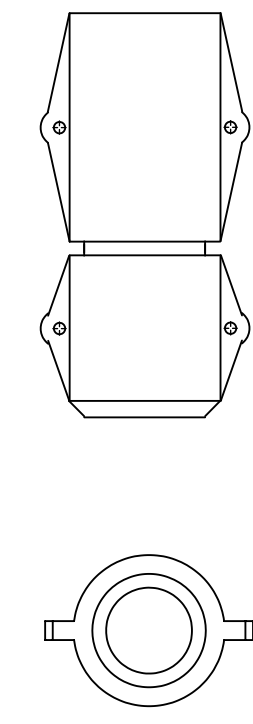
D600 mm + pakor D600 |
Art no KK 600 + PA KOR 060/60



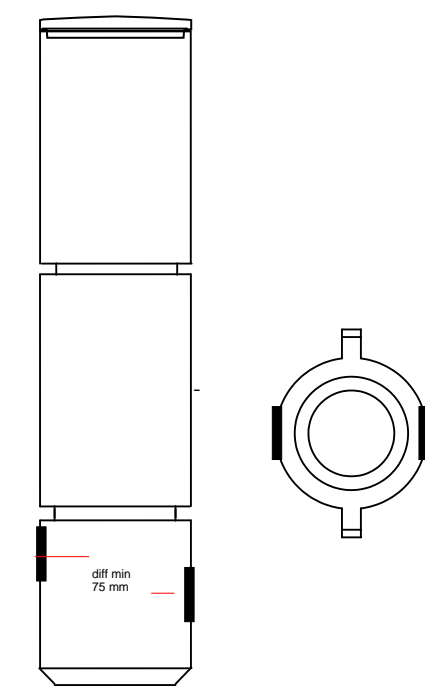
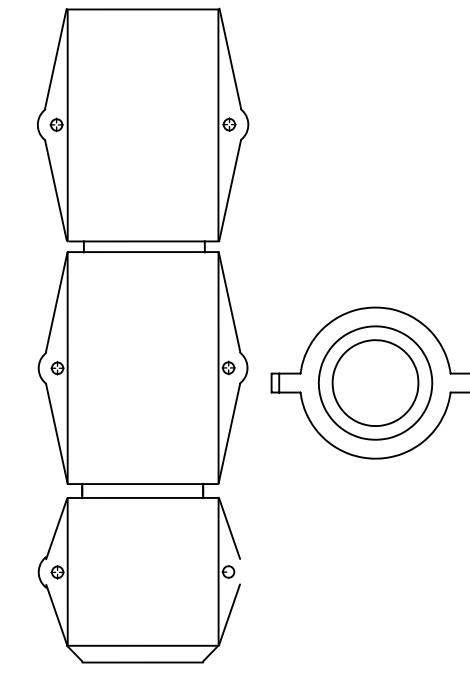
Murske / sepeli 10-20 cm esim. 5-18 mm imeytysalueelle. Imeytysalue (m²) = vesimäärä / maan imeytyskyky (esim 400 l // 24 h / 40 l / 24 h = 10 m²)
 Gravel / macadam 10-20 cm (no fines) eg 5-18 mm for absorption area. Absorption area (m²) = water volume / soil absorption capacity
 (eg 400 l // 24 h / 40 l / 24 h = 10 m²)
 Grus / makadam 10-20 cm(inga finämnen) t.ex. 5-18 mm för absorptionsarea. Absorptionsarea (m²) = vattenvolym / jordabsorptionskapacitet
 (t.ex. 400 l // 24 h / 40 l / 24 h = 10 m²)

		Scale: 1:20
	IK D 400-	2022
raita.com		

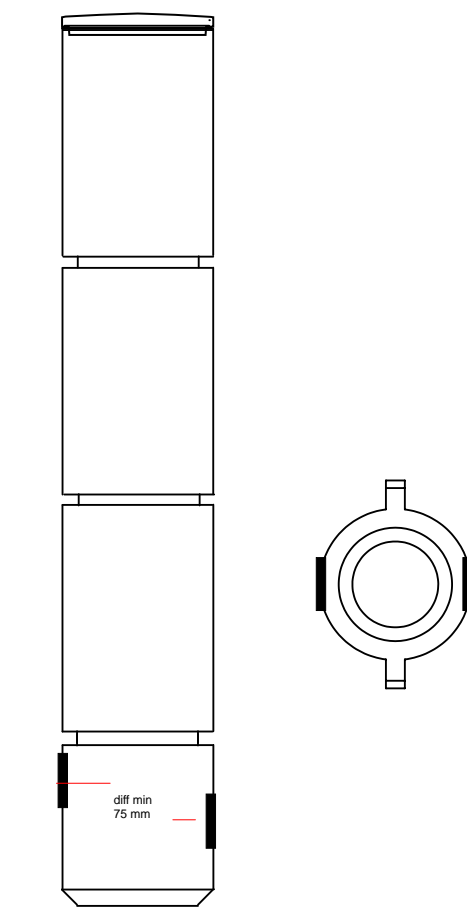
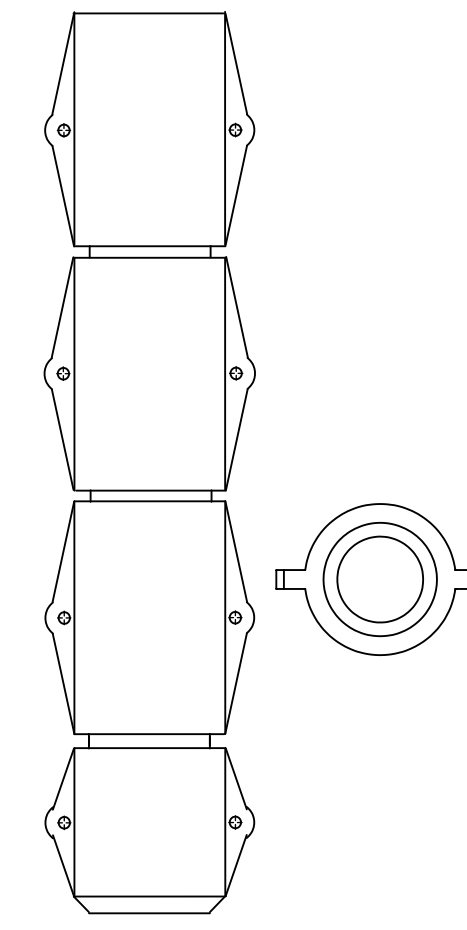
D400_H1070



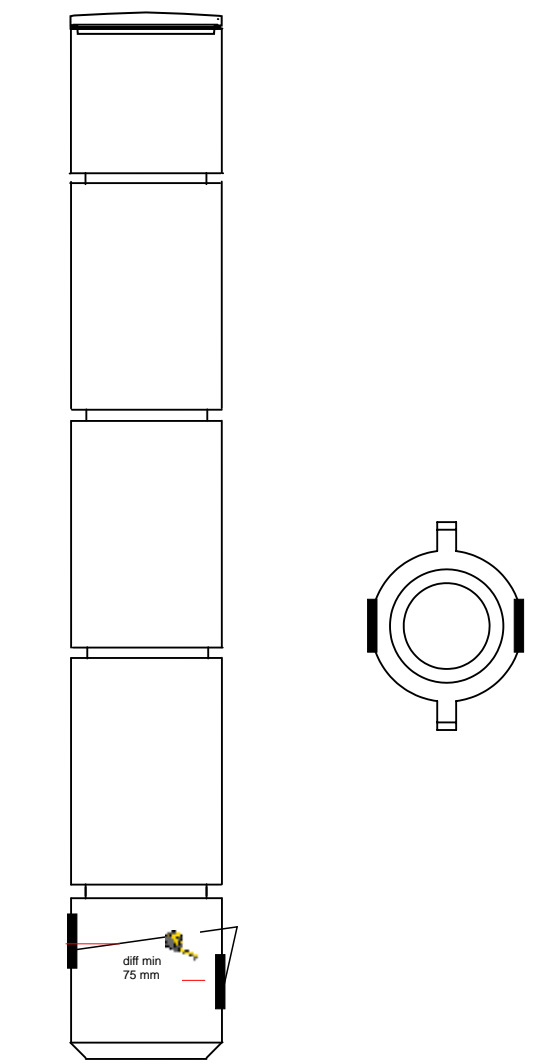
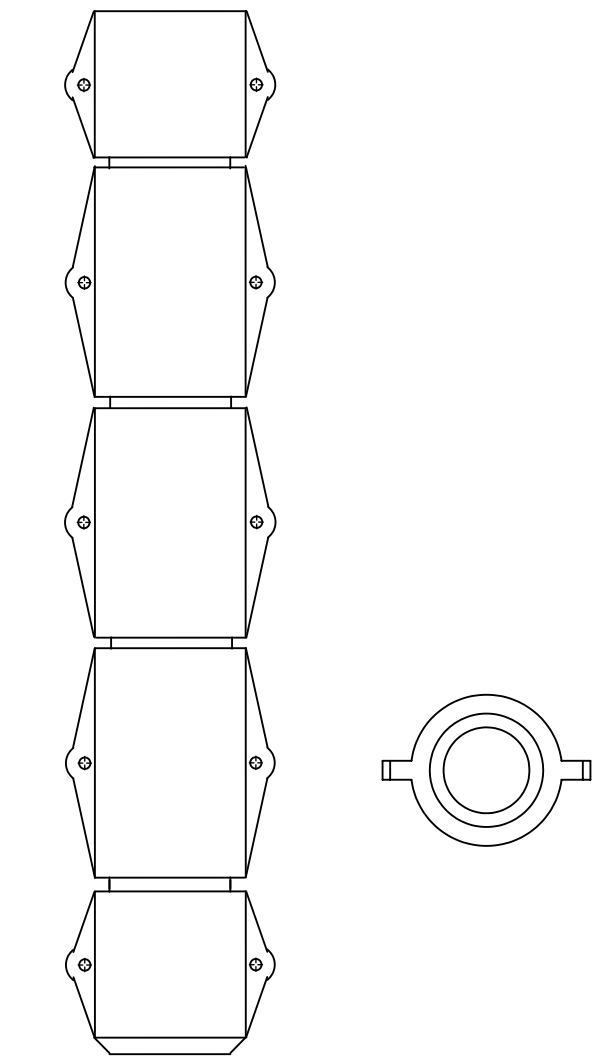
D400_H1730



D400_H2380

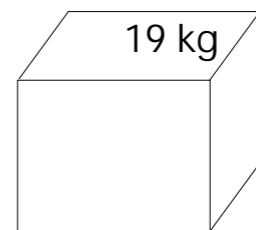


D400_H2760

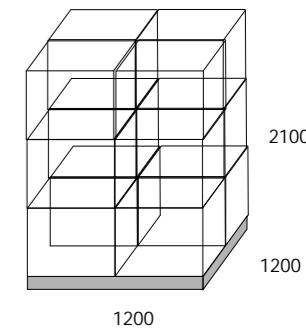


		Scale:
		1:20
	KK D 400-	2022
raita.com		

BioBox M



600x600x850



1 pc size 600x600x630 mm
12 pcs size 1200x1200x2100 (with pallet)

q-max 400/ 24 h - 50 l/ h

Malli, varustetaso, lisävarusteet:

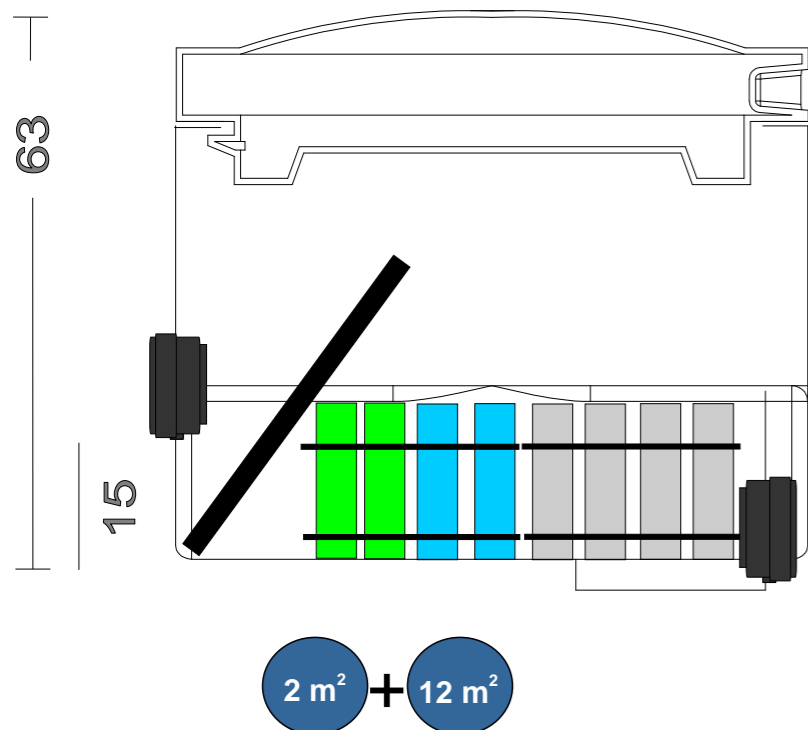
Malli	Kapasiteetti l/ 24 h	SK 420	SK600	SK1200 SAV	BM	Pakor
Bio-Box M	400	+	+	+	+	+

Modell, utrustningsnivå, tilläggsutrustning::

Modell	Kapasitet l/ 24 h	SK 420	SK600	SK1200 SAV	BM	Pakor
Bio-Box M	400	+	+	+	+	+

Model, equipment level, auxiliary equipment:

Model	Capacity l/ 24 h	SK 420	SK600	SK1200 SAV	BM	Pakor
Bio-Box M	400	+	+	+	+	+



		Scale:
raitabiobox.fi		BioBox M
		2021

BioBox M

q-max 400l/ 24 h - 50 l/ h

Malli, varustetaso, lisävarusteet:

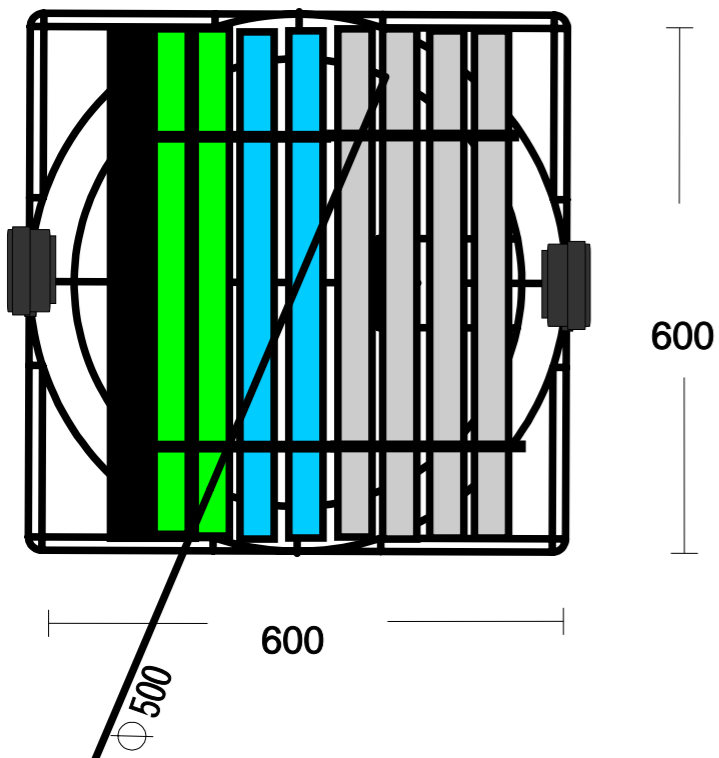
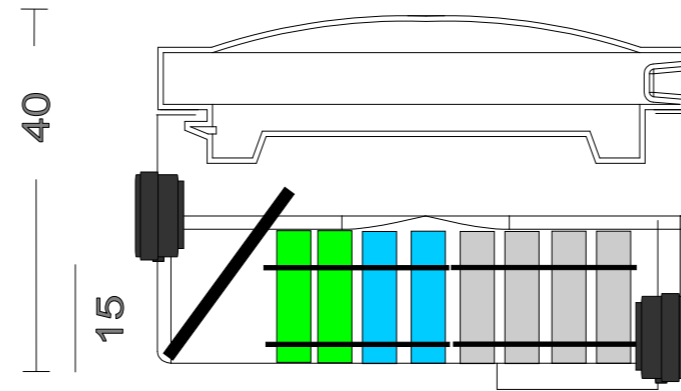
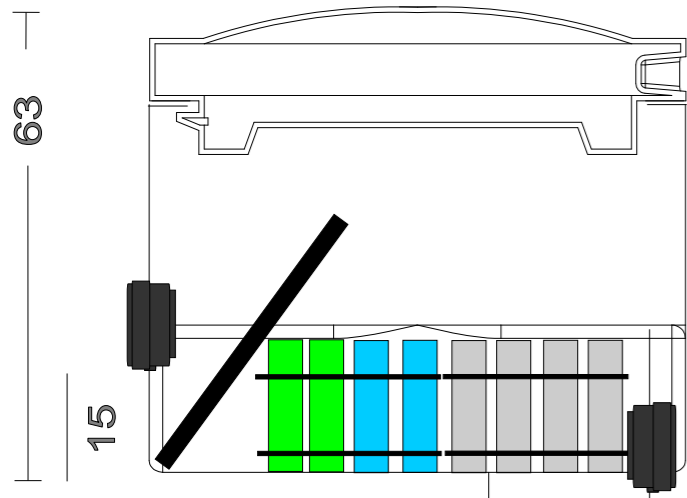
Malli Kapasiteetti l/ 24 h
 Bio-Box L 400

Modell, utrustningsnivå, tilläggsutrustning::

Modell Kapasitet l/ 24 h
 Bio-Box L 400

Model, equipment level, auxiliary equipment:

Model Capacity l/ 24 h
 Bio-Box L 400



		Scale:
	BioBox M	2021
raitabiobox.fi		

BioBox SLIM + RetWell 100

q-max 400l/ 24 h - 100 l/ h

Malli, varustetaso, lisävarusteet:

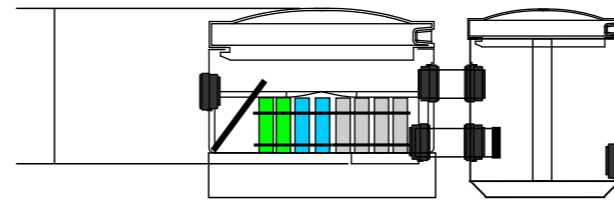
Malli Kapasiteetti l/ 24 h
 Bio-Box L 400

Modell, utrustningsnivå, tilläggsutrustning::

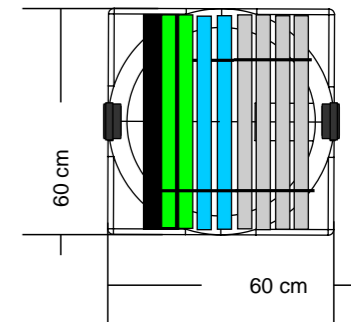
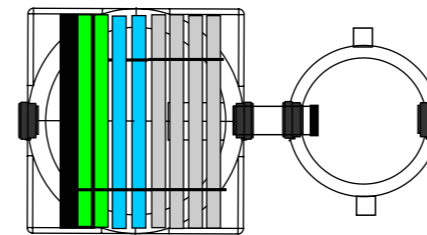
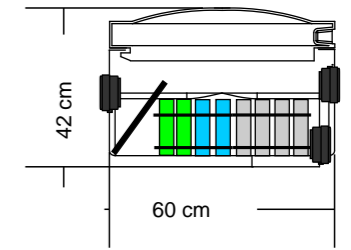
Modell Kapasitet l/ 24 h
 Bio-Box L 400

Model, equipment level, auxiliary equipment:

Model Capacity l/ 24 h
 Bio-Box L 400



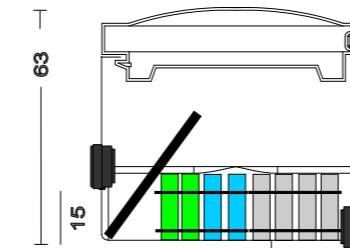
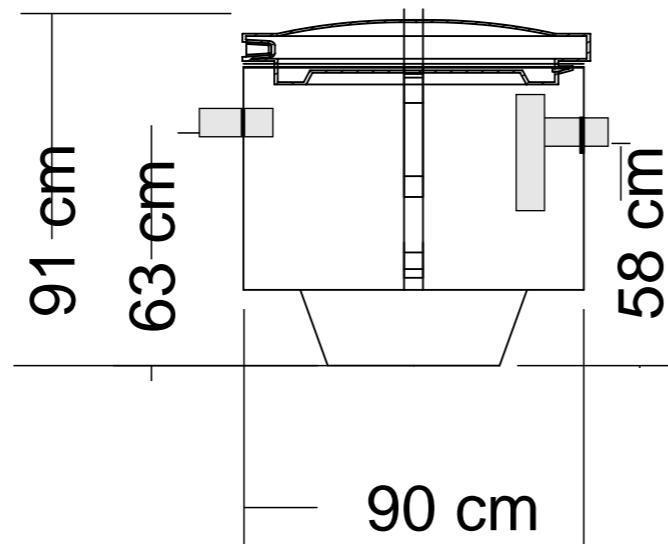
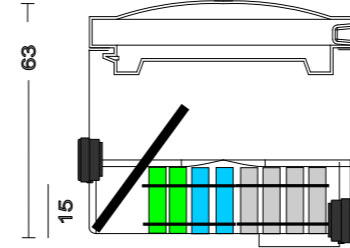
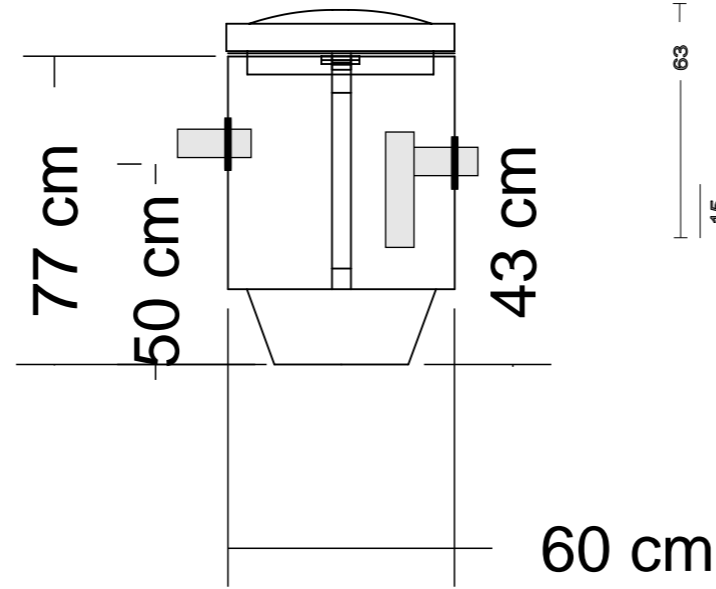
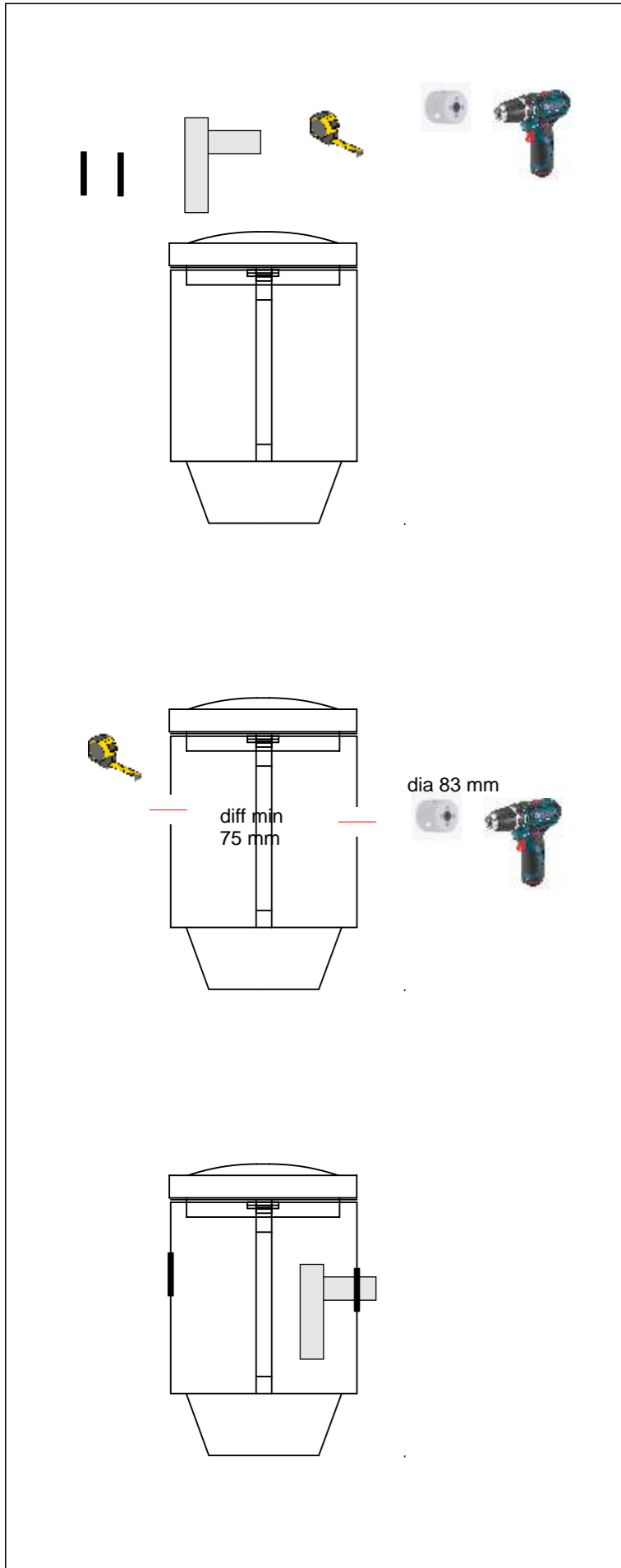
41 cm



		Scale:
	BioBox SLIM + RW 50	2021
raitabiobox.fi		

Sk100 / Sk250 + BioBoxM

q-max 400 l / 24 h - 50 l / h



		Scale:
	BioBox M	2021
raitabiobox.fi		

BioBox M

sbio_w

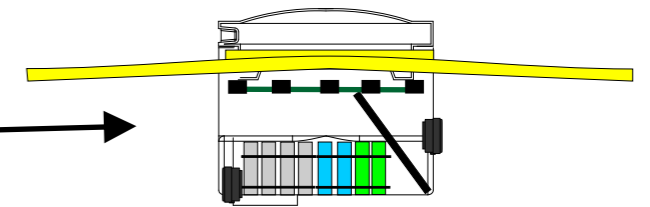
Lämmityskaapeli paketti | Heating cable package | Värmekabelpaket:

2m + 2m -40 °C.....+65 °C 230 V AC 50 Hz 16A – 10 W/m | clips10 pcs | cable seal 1 pcs



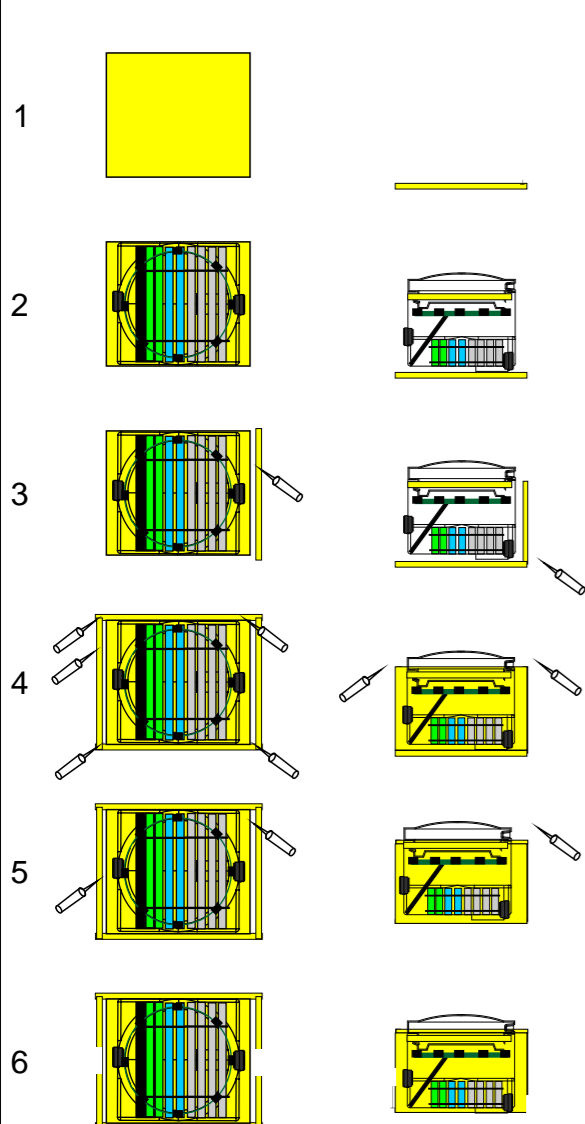
sbio_m_e2

eristepaketti maanalla | isolationspaket under markytan | isolationpackage under the earth surface

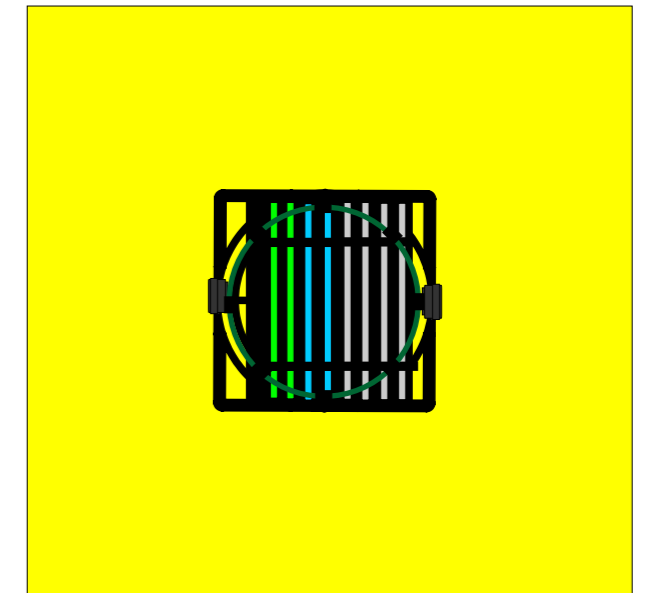


sbio_m_er1

eristepaketti maanpäälle | isolationspaket ovanpå markytan | isolationpackage over the earth surface



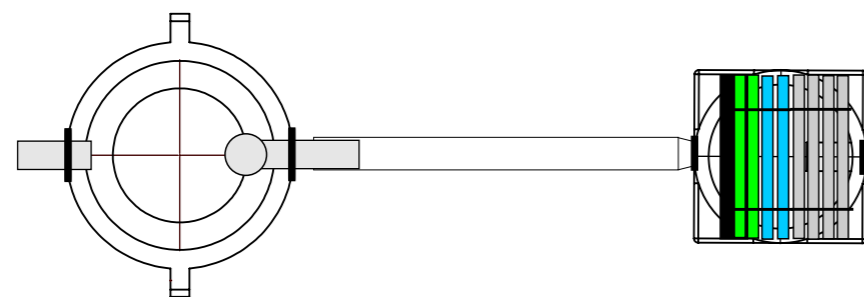
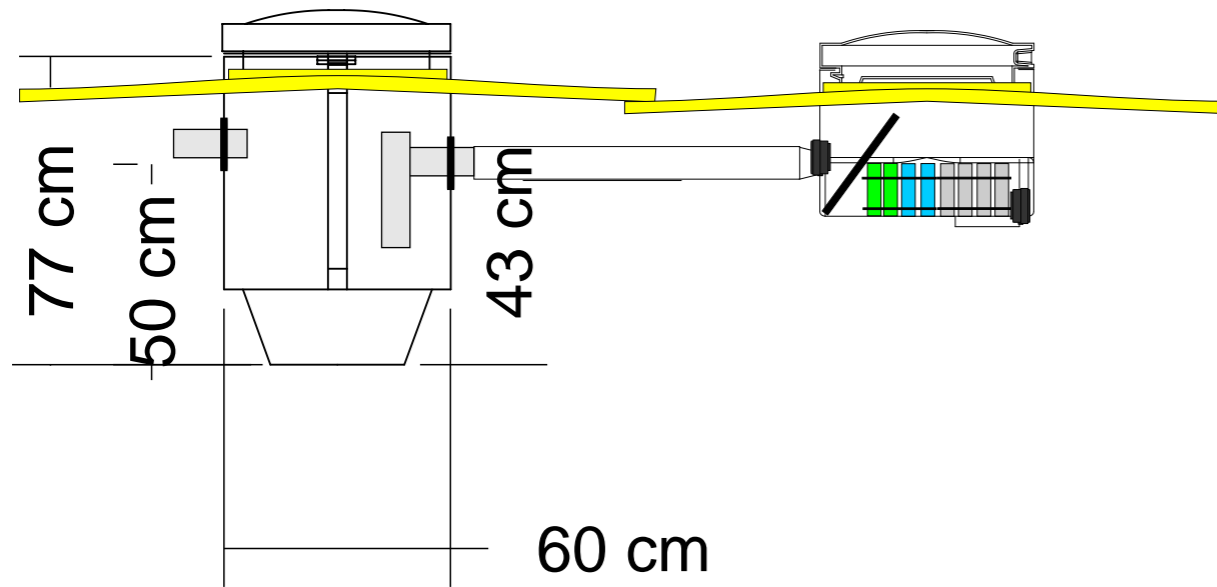
- pohja, bottom, botten 700x700 mm (-140x270 mm pois, off, av (out)t) - 50 mm (finnfoam)
- päädyt, ends, ändarna 370x600 mm x 2 + D 92 mm - 50 mm (finnfoam)
- seinät, wall, väggarna 370x700 mm x 2 + - 50 mm (finnfoam)
- kansi, cover, lock 700x700 mm - D610 reikä, hole, öppning - 50 mm (finnfoam)
- pyöreä kansi, round cover, rund lock 2x D600 - 15 mm (ppfoam)
- uretan 500 ml



		Scale:
	BioBox M	2021
raitabiobox.fi		

Sk100 + BioBoxM

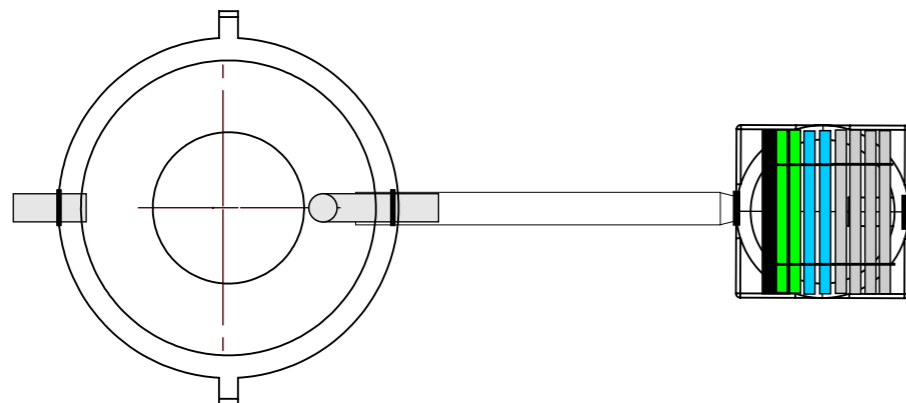
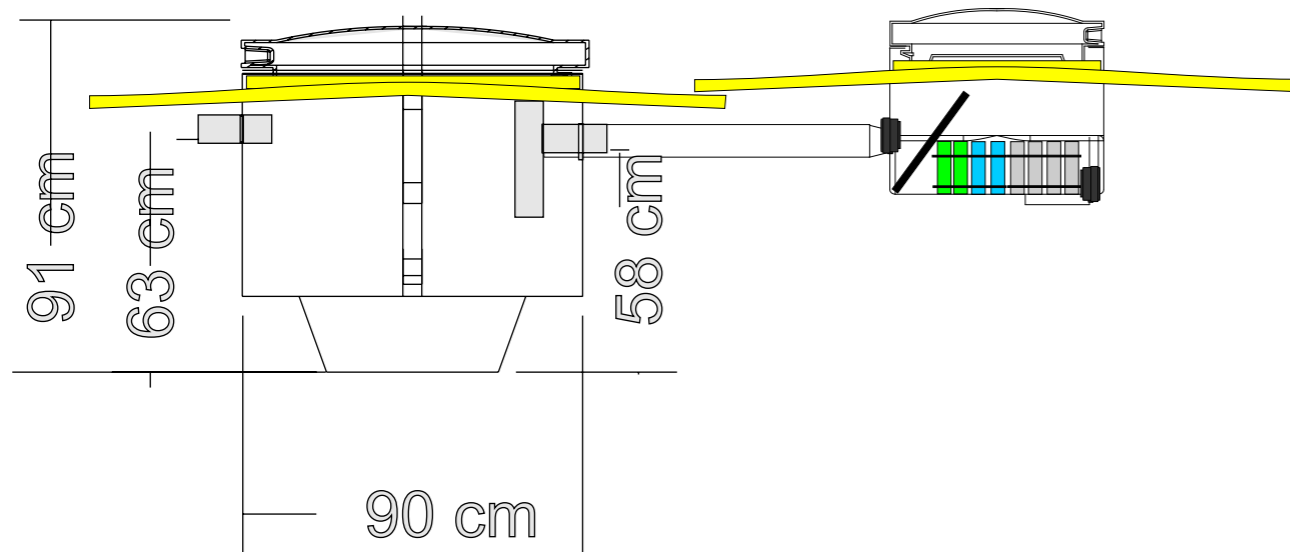
q-max 400 l / 24 h - 80 l / h



		Scale:
	BioBox M	2021
raitabiobox.fi		

Sk250 + BioBoxM

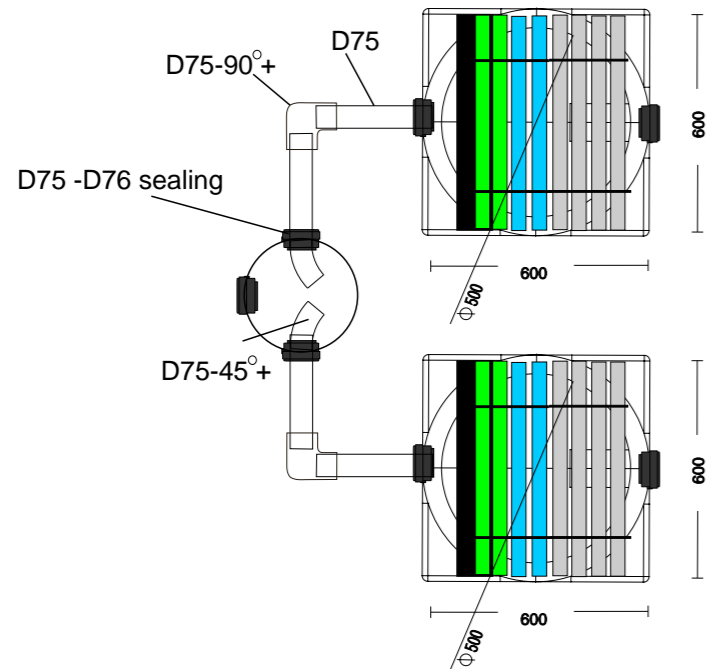
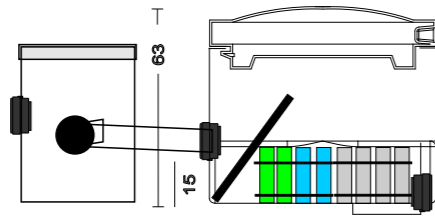
q-max 400 l / 24 h - 100 l / h



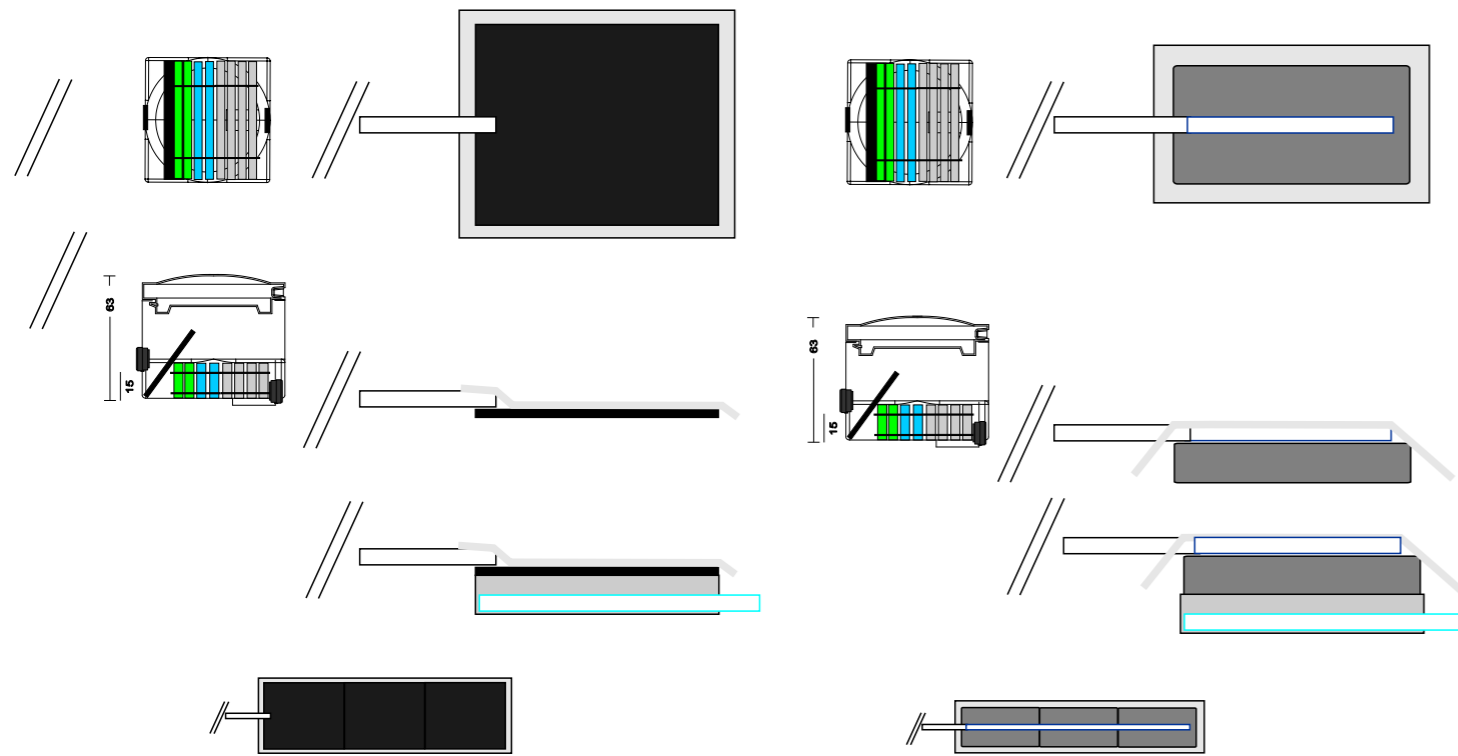
		Scale:
	BioBox M	2021
www.raita.com		

BioBox M x 2

q-max 800l/ 24 h - 100 l/ h



		Scale:
	BioBox M	2018
raitabiobox.fi		



Malli, varustetaso, lisävarusteet:

Malli	Kapasiteetti l/ 24 h	SK 420	SK600	SK1200 SAV	BM	Pakor
Bio-Box L	400	+	+	+	+	+

Modell, utrustningsnivå, tilläggsutrustning::

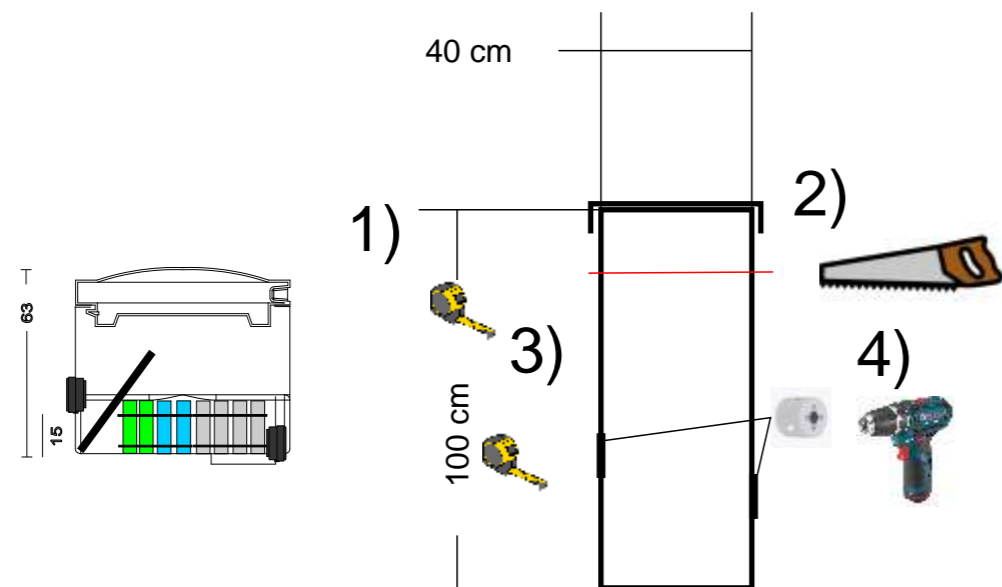
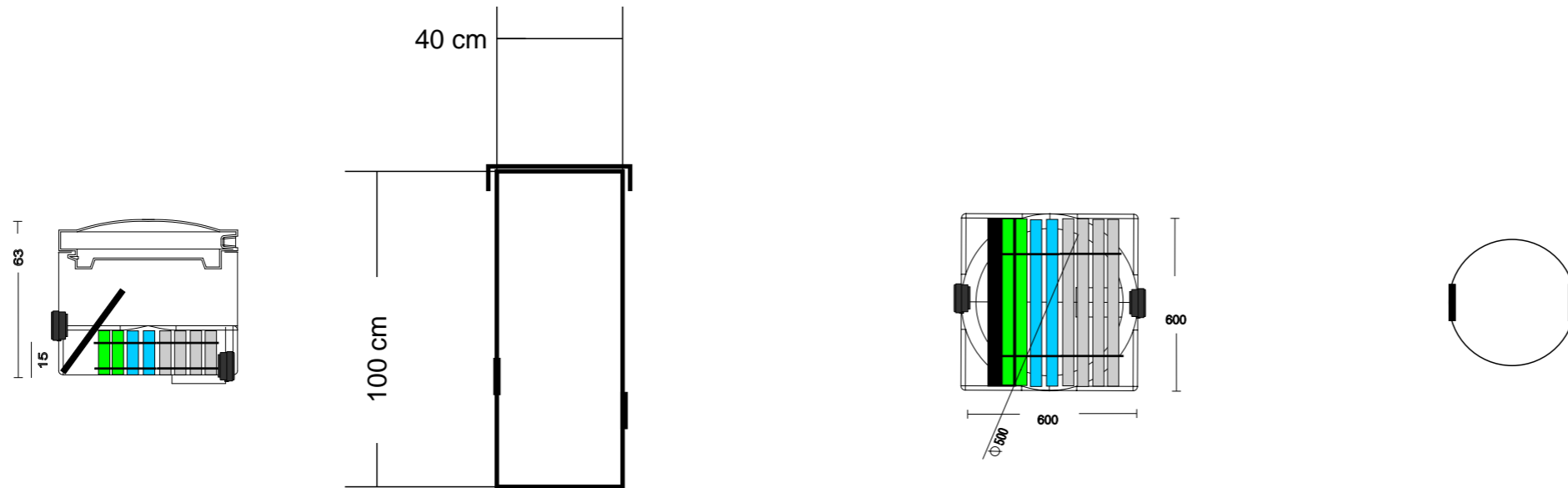
Modell	Kapasitet l/ 24h	SK 420	SK600	SK1200 SAV	BM	Pakor
Bio-Box L	400	+	+	+	+	+

Model, equipment level, auxiliary equipment:

Model	Capacity l/ 24 h	SK 420	SK600	SK1200 SAV	BM	Pakor
Bio-Box L	400	+	+	+	+	+

		Scale:
	BioBox M	2021
raitabiobox.fi		

BioBox M - Näytteenottokaivo



		Scale:
	BioBox XL	2021
raitabiobox.fi		