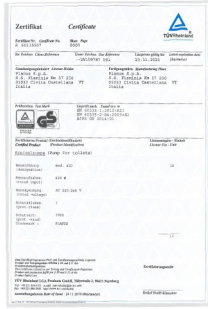


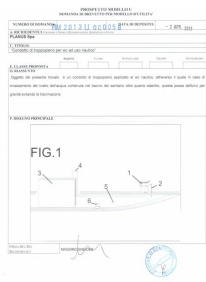
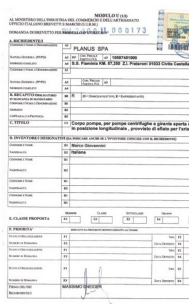
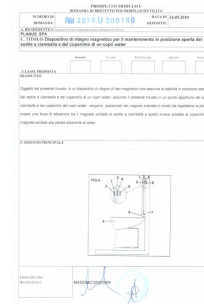
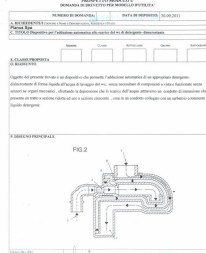
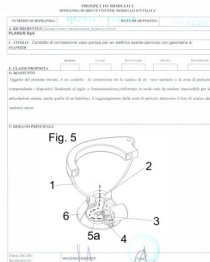
PLANUS

2018

CERTIFICATIONS



PATENTS



Planus SpA is an Italian manufacturing Company.

We have extensive personal experience in the production of macerators and other automatic pumping devices, having been involved in this field for more than 30 years. In the past, we operated under different brand names. Born in 2009, Planus SpA. offers a wide range of technically advanced products.



Technical assistance

Planus SpA offers global support thanks to a network of experts that ensure fast and competent technical assistance.



Over the years, our technical staff have proudly registered **16 patents** related to macerators.



Made in Italy



All the Planus products are **Made in Italy**.
Each phase of product implementation, from design to production is carried out by Planus staff within our factory.

Marine industry

We are world leaders in the field of toilets for **luxury yachts**.

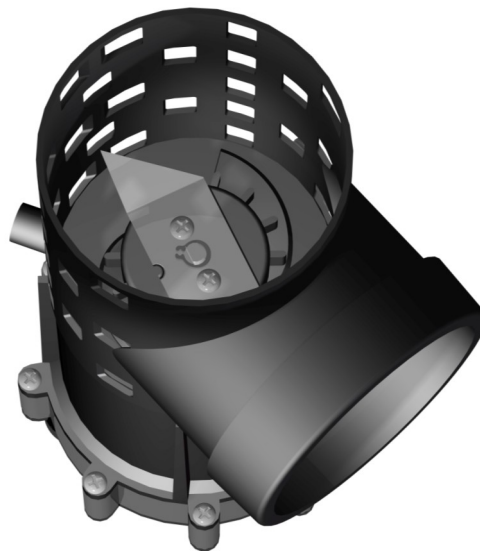
Where maximum performance and reliability is required, **it must be a Planus toilet**.



Basket with rotating blades: the most efficient grinding technique.

Planus SpA equips its Broysan macerators with **stainless steel rotating blades inside a basket-filter**. The solids from the toilet are held inside the basket-filter until they are fragmented into small parts, capable of passing through the holes of the basket. They are then expelled by the pump and discharged, avoiding the possibility of clogging the pump itself.

Other devices that use centrifugal pumps instead of a basket and rotating blades can't guarantee such a good shredding, because the time the residues have in the pump is extremely limited.



A product for every requirement

The **Planus** range provides for any type of installation of bathroom and kitchen utilities.

The macerator **Broysan 4** is a high-end product equipped with 4 connections that allows for example the installation of a toilet, sink, bidet and shower.

The **Geyser** lifting unit is designed for the discharge of waste water and hot water up to 100°. The high temperature resistance makes it possible to connect utilities such a washing machine, dishwasher and sinks. It is not designed for connection to a toilet.

PLANUS



PLANUS



BROYSAN 4 _____ 6



GEYSER _____ 8



SIBARI _____ 10



GARDA _____ 12



ISEO _____ 14



SMART _____ 16



PACKAGING _____ 18



NETWORK _____ 19

Broysan 4 is a macerator with high shredding and plumbing performance. It has a basket-filter with rotating blades in stainless steel 316 and a separate pump. **Broysan 4** is a box containing a powerful and silent macerator which allows waste water to be discharged through a narrow pipe (22/28/32/40 mm) to the nearest soil pipe.



Broysan 4 allows you to create an additional bathroom away from the soil pipe without the need for major building work. It can be used in a wide variety of applications: where there is a requirement for an extra bathroom, for a basement installation, in holiday cottages, for adding facilities in hotels and guest houses, adding facilities for the elderly or the disabled or during the renovation of offices and other light commercial buildings.

Broysan 4 can be connected to a toilet with horizontal trap. Through the additional side connections it's also possible to connect other bathroom appliances.

Broysan 4 is the first macerator made with IP-68 protection for maximum safety.



The only macerator in the market certified IP-68



www.tuv.com
ID 1111211203



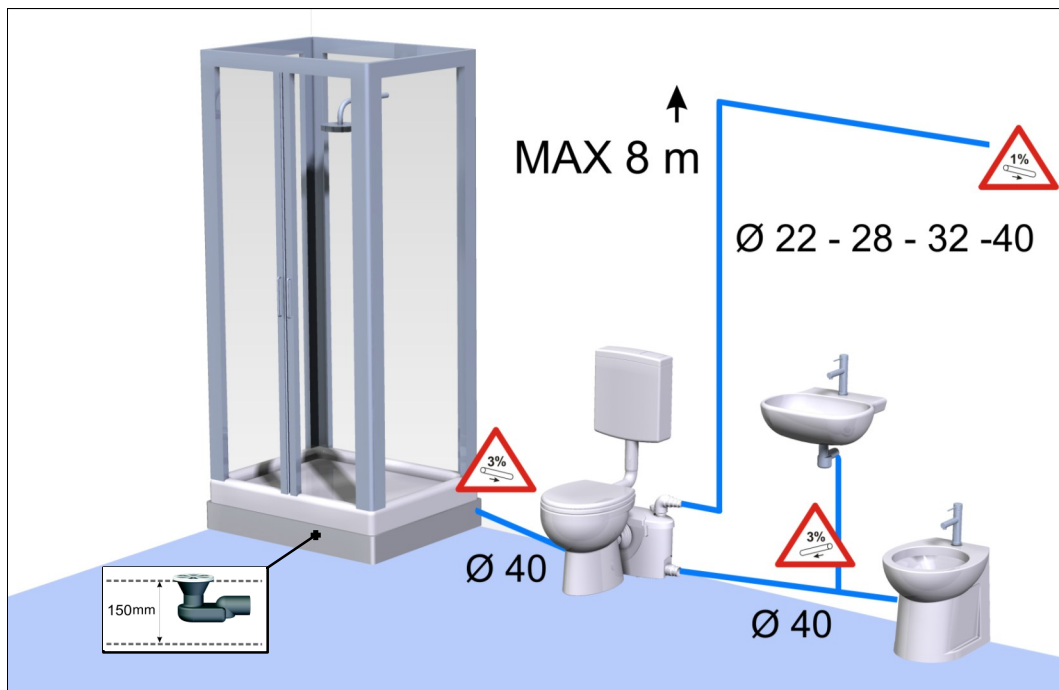
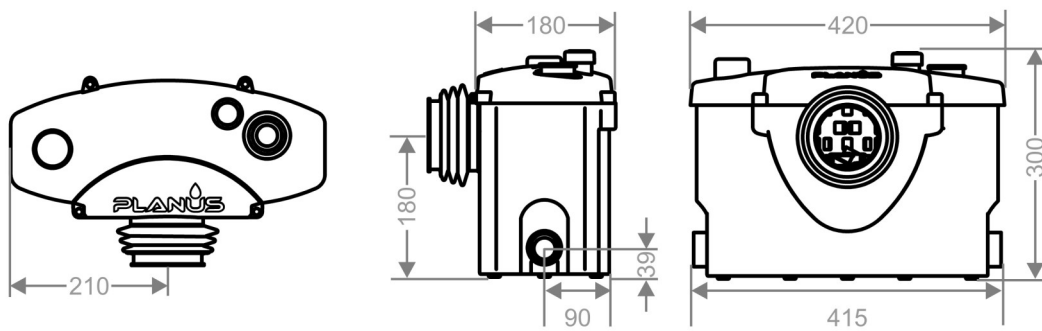
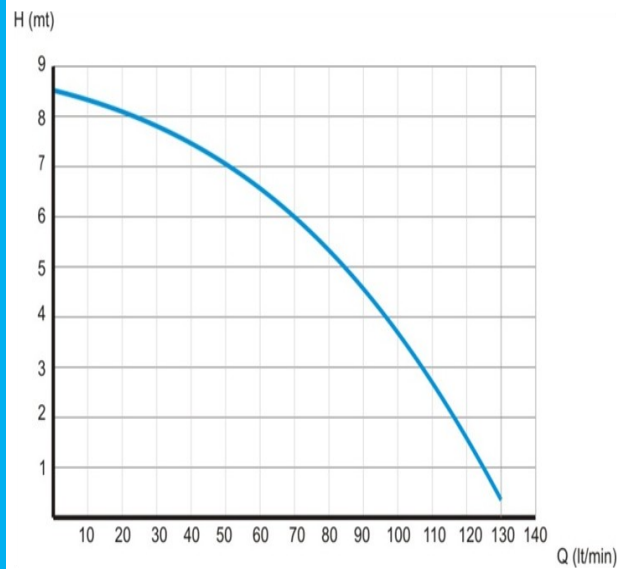
PATENTED IP68 SYSTEM

| BROYSAN 4 | WC | WASHBASIN | SHOWER | BIDET | BATHTUB | DISHWASHER | WASHING MACHINE | MAXIMUM DISCHARGE IN METERS | |
|-----------|----|-----------|--------|-------|---------|------------|-----------------|-----------------------------|--------|
| | | | | | | | | DISTANCE | HEIGHT |
| | ✓ | ✓ | ✓ | ✓ | ✓ | ✓ | ✓ | 100 | 8 |

- Plugs to cap all unused connections are provided.
- The European norm EN 12050-3 applied to macerator boxes allows, if WC is connected, to add only basin, bidet and shower.

TECHNICAL SPECIFICATION

| | |
|----------------------------|-------------------|
| Power | 420 W |
| Power Supply | 220-240 Vac 50 Hz |
| Maximum discharge distance | 100 mt |
| Maximum discharge height | 8 mt |
| Discharge pipe diameter | 22/28/32/40 mm |
| Max water temperature | 50 °C |
| Degree of Protection | IP 68 |
| Protection Class | Class I |



EN 12050-3



Geyser is a macerating and lifting unit developed to treat hot discharge water up to 100°, from appliances such as dishwashers and washing machines in kitchens and everything in the

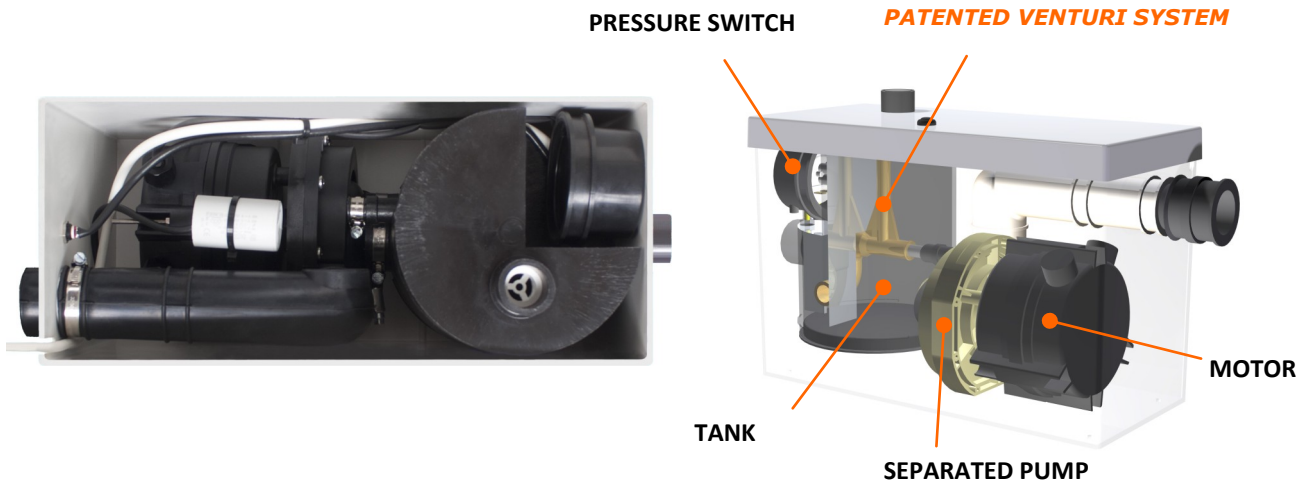
IP 55



PUMPING OF HOT WATER UP TO 100 ° C

Unlike normal macerator units which have a limit to the water temperature they can handle, with **Geyser** the hot temperature of the water doesn't cause any overheating of the motor as it sits outside the tank.

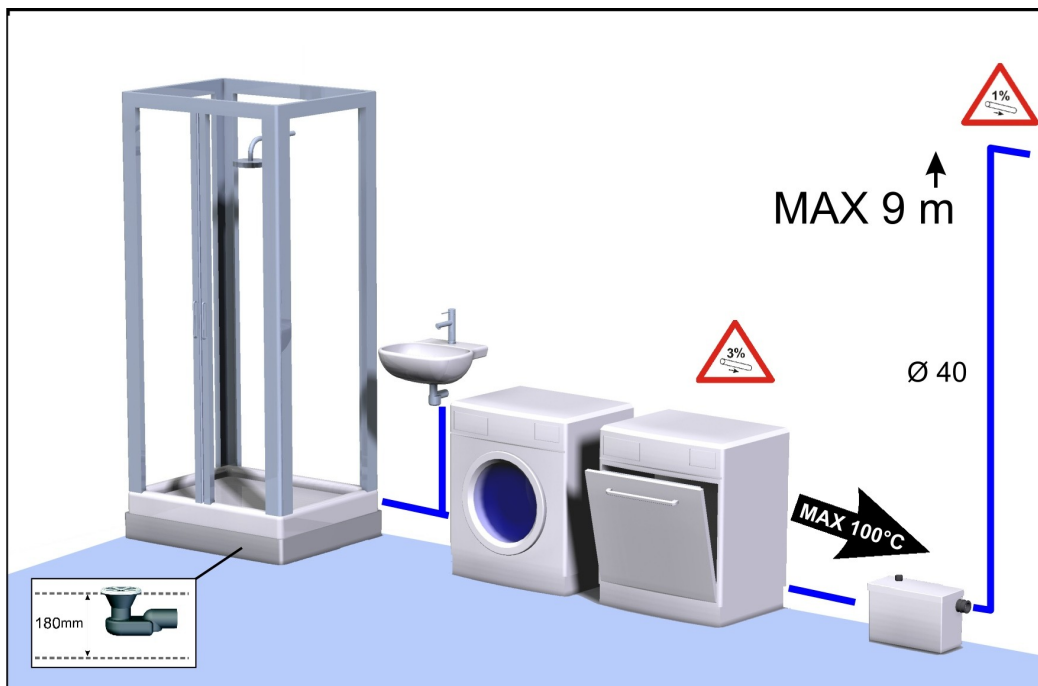
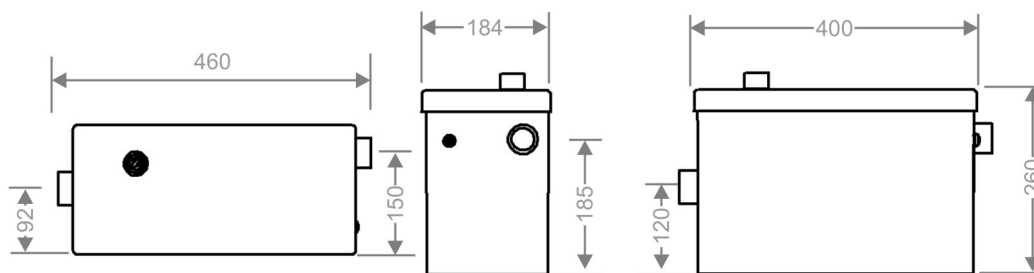
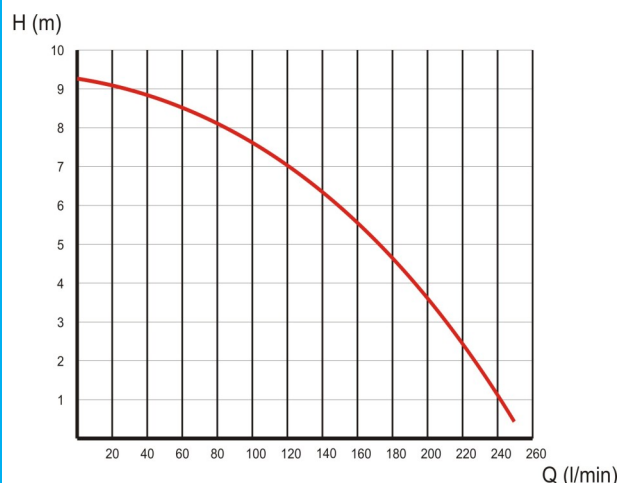
Geyser has a powerful Vortex pump for grey water, equipped with stainless steel blades to cope with even small amounts of residual solids. It allows for discharge of elevated volumes of grey



| | WC | WASHBASIN | SHOWER | BIDET | BATHTUB | DISHWASHER | WASHING MACHINE | MAXIMUM DISCHARGE IN METERS | |
|---------------|----|-----------|--------|-------|---------|------------|-----------------|-----------------------------|--------|
| | | | | | | | | DISTANCE | HEIGHT |
| GEYSER | ✓ | ✓ | ✓ | ✓ | ✓ | ✓ | ✓ | 100 | 9 |

TECHNICAL SPECIFICATION

| | |
|----------------------------|-------------------|
| Power | 600 W |
| Power Supply | 220-240 Vac 50 Hz |
| Maximum discharge distance | 100 mt |
| Maximum discharge height | 9 mt |
| Discharge pipe diameter | 40 mm |
| Max water temperature | 100 °C |
| Degree of Protection | IP 55 |
| Protection Class | Class I |



EN 12050-2



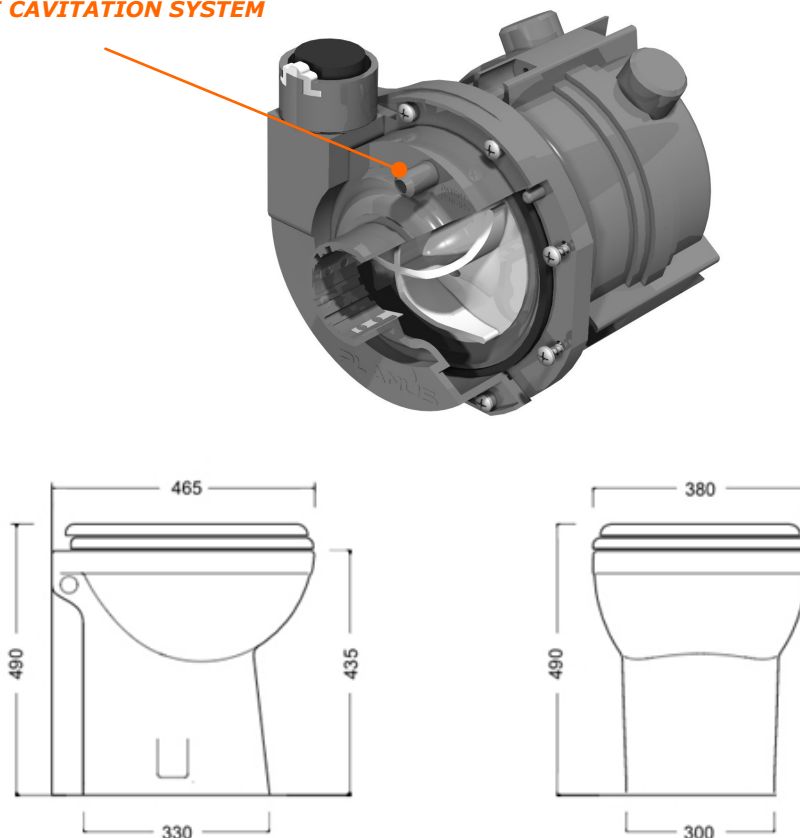
Sibari is a ceramic toilet with an integrated powerful Vortex pump designed to achieve a bathroom without any technical components in view.



The macerating Vortex pump equipped with stainless steel blades, allows waste water to be discharged through a narrow pipe to the nearest soil pipe.

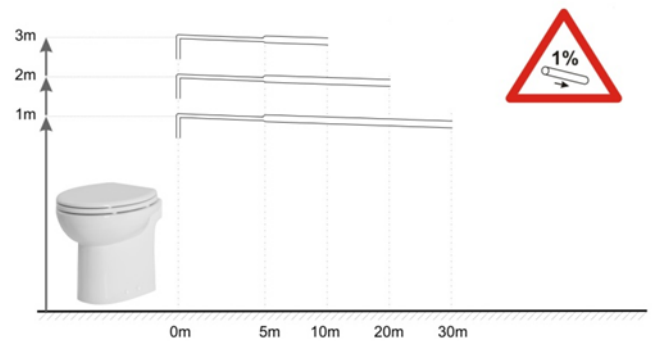
Planus designed and patented the **anticavitation system**, applied to the Vortex pump, that allows the perfect priming of the pump, assuring superior performances and quietest operation.

PATENTED ANTI CAVITATION SYSTEM

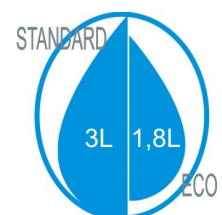


TECHNICAL SPECIFICATION

| | |
|----------------------------|-------------------|
| Power | 520 W |
| Power Supply | 220-240 Vac 50 Hz |
| Maximum discharge distance | 30 mt |
| Maximum discharge height | 3 mt |
| Discharge pipe diameter | 40 mm |
| Max water temperature | 100 °C |
| Degree of Protection | IP 44 |
| Protection Class | Class I |



Sibari can be equipped with integrated **Dual Flush switch**, able to guarantee a noticeable water saving.



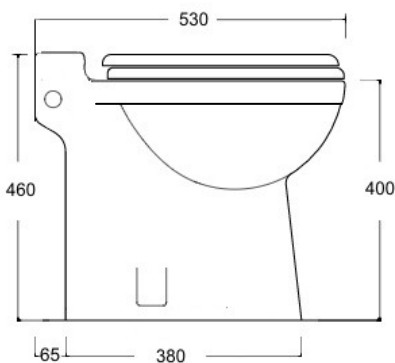
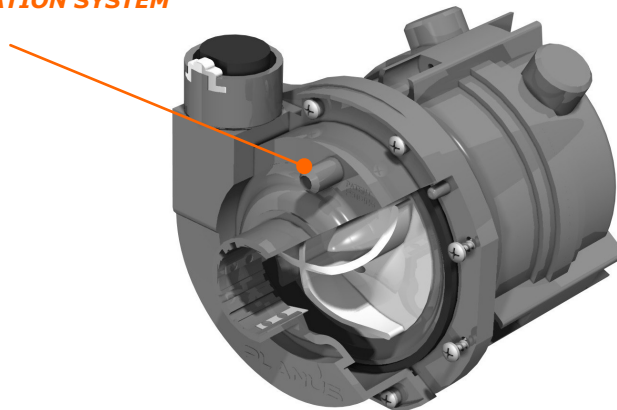
Garda is a ceramic toilet with an integrated powerful Vortex pump designed to achieve a bathroom without any technical components in view.



The macerating Vortex pump equipped with stainless steel blades, allows waste water to be discharged through a narrow pipe to the nearest soil pipe.

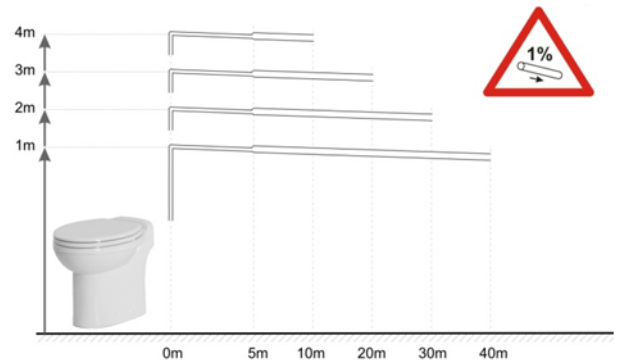
Planus designed and patented the **anticavitation system**, applied to the Vortex pump, that allows the perfect priming of the pump, assuring superior performances and quietest operation.

PATENTED ANTI CAVITATION SYSTEM



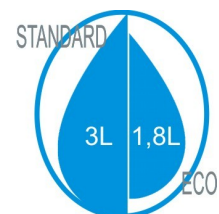
TECHNICAL SPECIFICATION

| | |
|----------------------------|-------------------|
| Power | 600 W |
| Power Supply | 220-240 Vac 50 Hz |
| Maximum discharge distance | 40 mt |
| Maximum discharge height | 4 mt |
| Discharge pipe diameter | 40 mm |
| Max water temperature | 100 °C |
| Degree of Protection | IP 44 |
| Protection Class | Class I |



Garda is equipped with seat & cover with **Soft-Close system**.

Garda is equipped with integrated **Dual Flush switch**, able to guarantee a noticeable water saving.



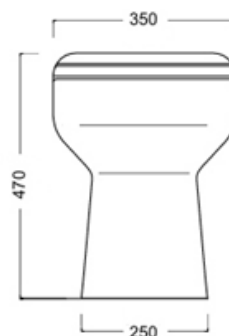
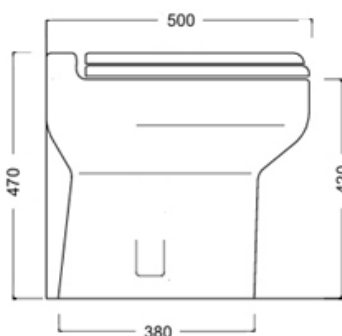
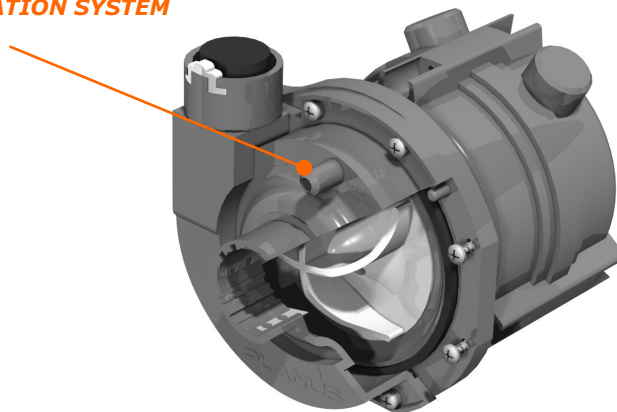
Iseo is a ceramic toilet with an integrated powerful Vortex pump designed to achieve a bathroom without any technical components in view.



The macerating Vortex pump equipped with stainless steel blades, allows waste water to be discharged through a narrow pipe to the nearest soil pipe.

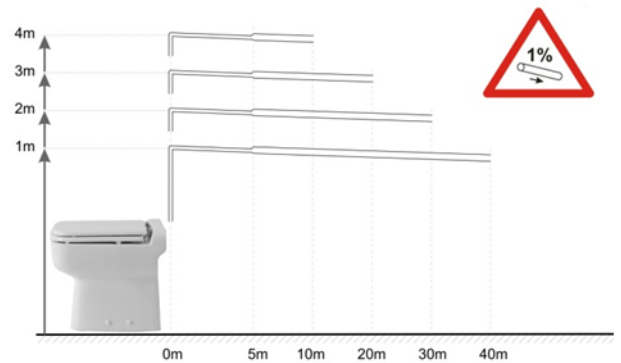
Planus designed and patented the **anticavitation system**, applied to the Vortex pump, that allows the perfect priming of the pump, assuring superior performances and quietest operation.

PATENTED ANTI CAVITATION SYSTEM



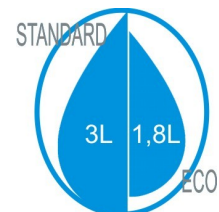
TECHNICAL SPECIFICATION

| | |
|----------------------------|-------------------|
| Power | 600 W |
| Power Supply | 220-240 Vac 50 Hz |
| Maximum discharge distance | 40 mt |
| Maximum discharge height | 4 mt |
| Discharge pipe diameter | 40 mm |
| Max water temperature | 100 °C |
| Degree of Protection | IP 44 |
| Protection Class | Class I |



Iseo is equipped with seat & cover with **Soft-Close system**.

Iseo is equipped with integrated **Dual Flush switch**, able to guarantee a noticeable water saving.



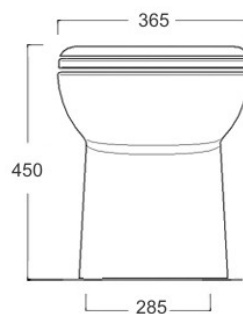
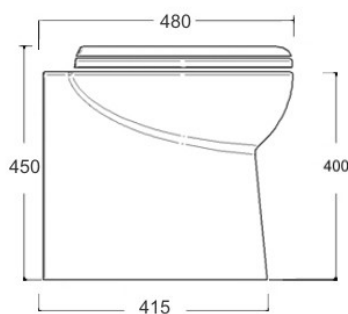
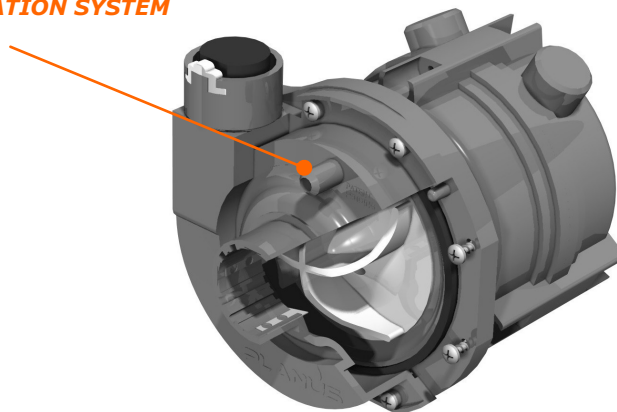
Smart is a ceramic toilet with an integrated powerful Vortex pump designed to achieve a bathroom without any technical components in view.



The macerating Vortex pump equipped with stainless steel blades, allows waste water to be discharged through a narrow pipe to the nearest soil pipe.

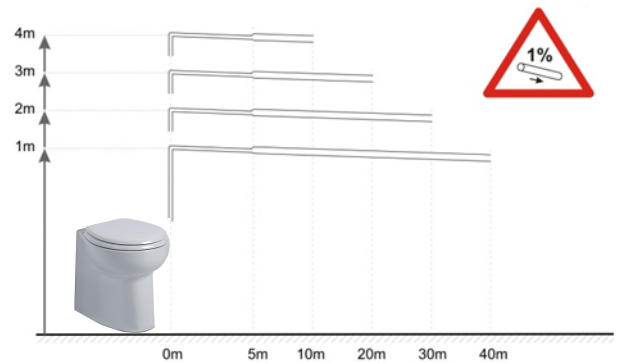
Planus designed and patented the **anticavitation system**, applied to the Vortex pump, that allows the perfect priming of the pump, assuring superior performances and quietest operation.

PATENTED ANTI CAVITATION SYSTEM



TECHNICAL SPECIFICATION

| | |
|----------------------------|-------------------|
| Power | 600 W |
| Power Supply | 220-240 Vac 50 Hz |
| Maximum discharge distance | 40 mt |
| Maximum discharge height | 4 mt |
| Discharge pipe diameter | 40 mm |
| Max water temperature | 100 °C |
| Degree of Protection | IP 44 |
| Protection Class | Class I |



Smart is equipped with seat & cover with **Soft-Close system**.

Integrated Bidet

Smart can be equipped with **integrated bidet**.

This accessory allows the use of the sanitary-ware as a bidet too.

The jet is equipped with an hygienic door to cover the aerator when the integrated bidet is not used. The hygienic door is self-opened by the water jet itself.

The integrated bidet is activated by a hot-cold water mixer (included).

