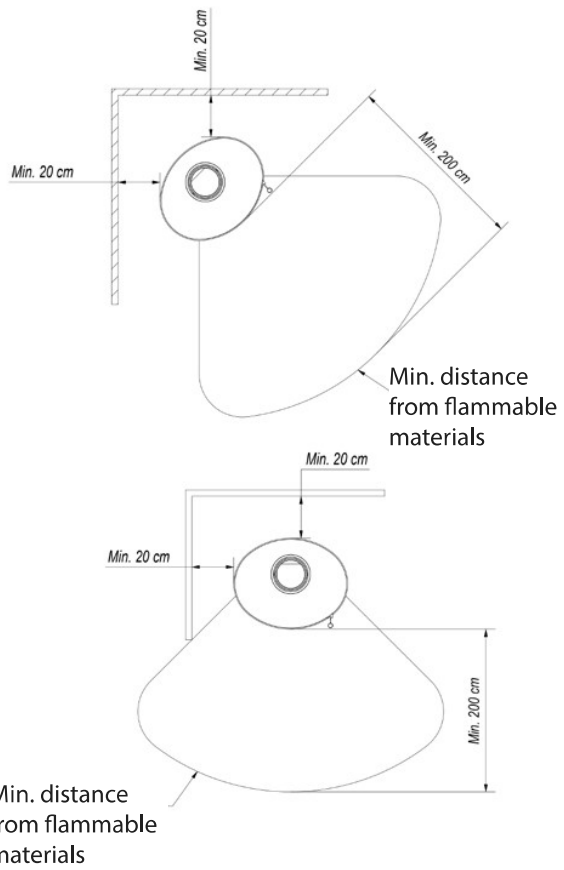
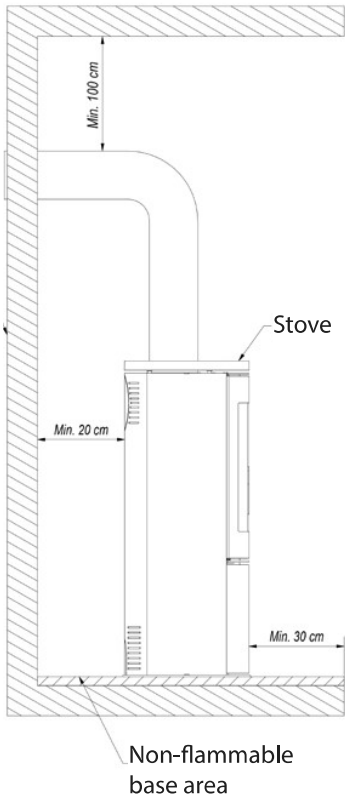


Distances from noncombustible materials:



Distances from combustible materials:

