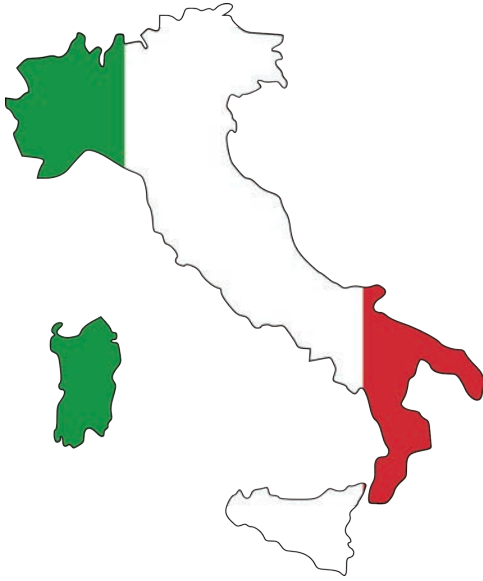


PLANUS

2016

Made In Italy



All our products are **Made in Italy**.
Each phase of product implementation, from design to production is carried out by Planus staff within our factory.

Marine Industry

We are world leaders in the field of toilets for **luxury yachts**.
Where maximum performance and reliability is required, **it must be a Planus toilet**.



The Maceration Technique

A **basket with rotating blades** is the most efficient grinding system.

Planus SpA equips its Broysan macerators with **rotating stainless steel blades inside a basket-filter**. The solids from the toilet are held inside the basket-filter until they are fragmented into small parts capable of passing through the holes of the basket. They are then expelled by the pump and discharged, avoiding the possibility of clogging the pump itself.

On the contrary, devices that use centrifugal pumps instead of a basket and rotating blades can't guarantee such good shredding, because the time the residues have in the pump is extremely limited.



A Product For Every Requirement

The **Planus** range provides for any type of installation of bathroom and kitchen utilities.

The **Broysan 4** macerator is a high-end product equipped with 4 connections that allows the installation of a toilet, sink, bidet and shower.

The **Geyser** lifting unit is designed for the discharge of waste water, and water hot-up to 100 °. The high temperature resistance makes it possible to connect utilities such as washing machines, dishwashers and sinks. It is not designed for connection to a toilet.



BROYSAN 4 _____ 8



GEYSER _____ 10



BROYSAN PLUS _____ 12



TECHNO-LIFT _____ 16



SKY _____ 18



SMART _____ 20



PACKAGING _____ 22



DISTRIBUTION NETWORK _____ 23

Broysan 4 is a macerator with high shredding and pumping performance, it has a basket-filter with rotating blades in stainless steel 316 and a separate pump. Broysan 4 is a box containing a powerful and silent macerator which allows waste water to be discharged through a narrow pipe (22/28/32/40 mm) to the nearest soil pipe.



Broysan 4 allows you to create an additional bathroom, kitchen or laundry room away from the soil pipe without the need for major building work.

Broysan 4 can be connected to a toilet with a horizontal trap. Through the additional side connections it's also possible to connect other bathroom appliances.

Broysan 4 is made with grade IP-68 electrical protection for maximum electrical safety.

IP 68

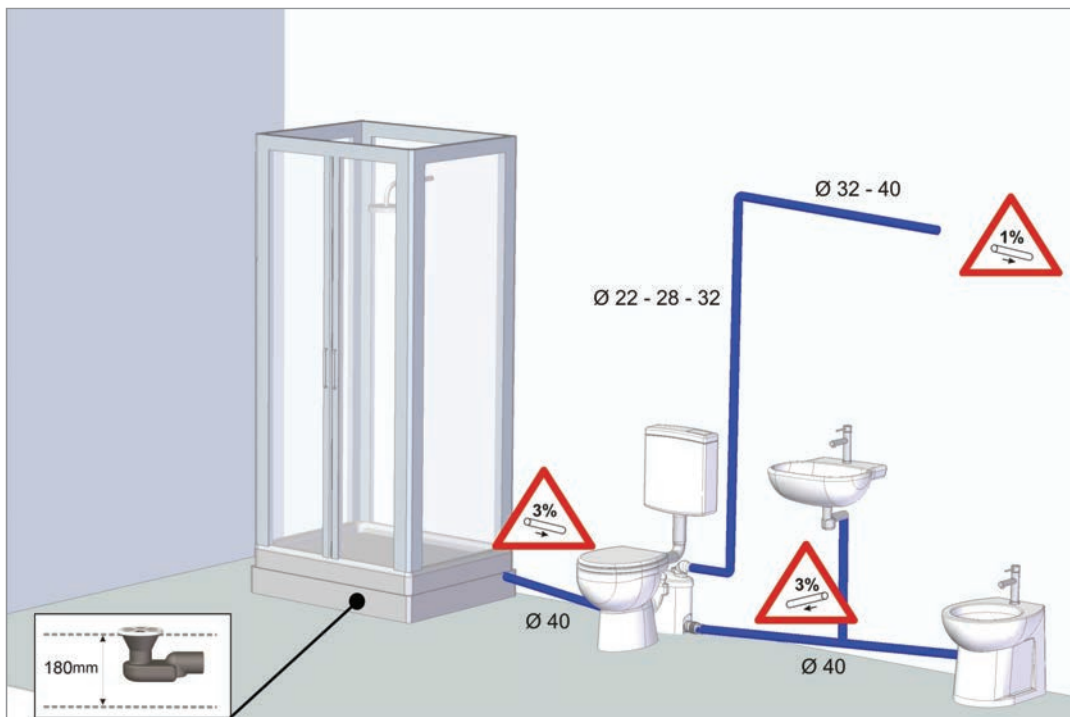
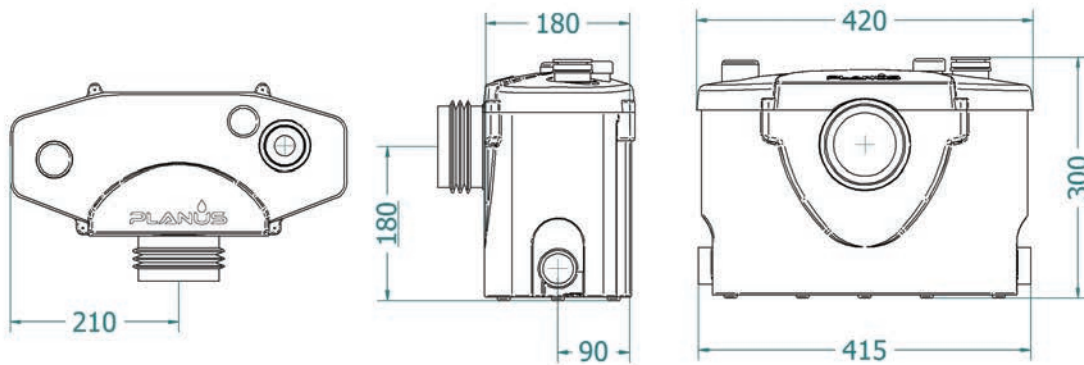
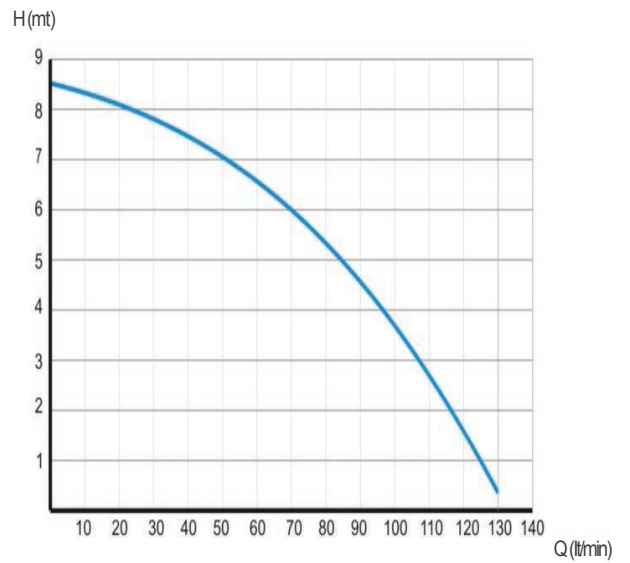


BROYSAN 4	WC	WASHBASIN	SHOWER	BIDET	BATH	DISHWASHER	WASHING MACHINE	MAXIMUM DISCHARGE IN METERS	
								DISTANCE	HEIGHT
	✓	✓	✓	✓				100	8

- Plugs to cap all unused connections are provided.
- The European norm EN 12050-3 applied to the macerator boxes allows connection only to WC, bidet, basin and shower.

Technical Specifications

Power	420 W
Power Supply	220-240Vac 50Hz
Maximum discharge distance	100 mt
Maximum discharge height	8 mt
Discharge pipe diameter	22/28/32/40 mm
Max water temperature	50 °C
Electrical safety level	IP 68



Geysler is a macerating and lifting unit developed to treat hot discharged water up to 100° from appliances such as dishwashers and washing machines in kitchens and everything in the bathroom apart from the WC.

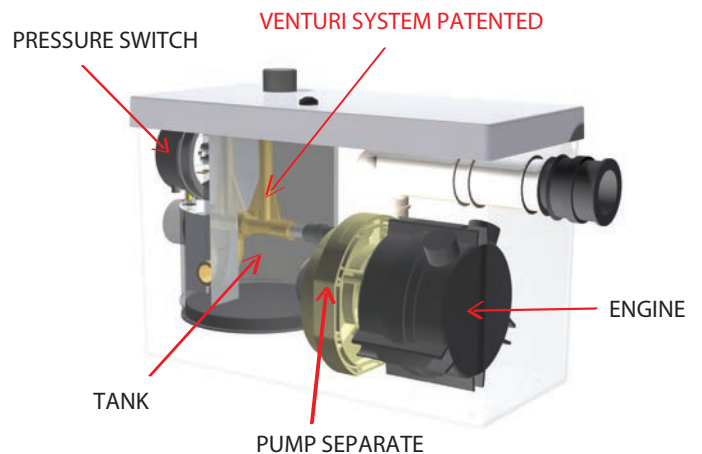
IP 55



PUMPING
HOT WATER
UP TO 100°

Unlike normal macerator units which have a limit to the water temperature they can cope with, Geysler the hot temperature of the water doesn't cause any overheating of the motor as it sits outside the tank.

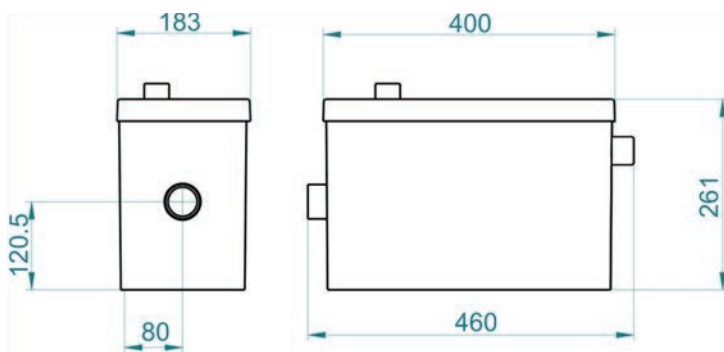
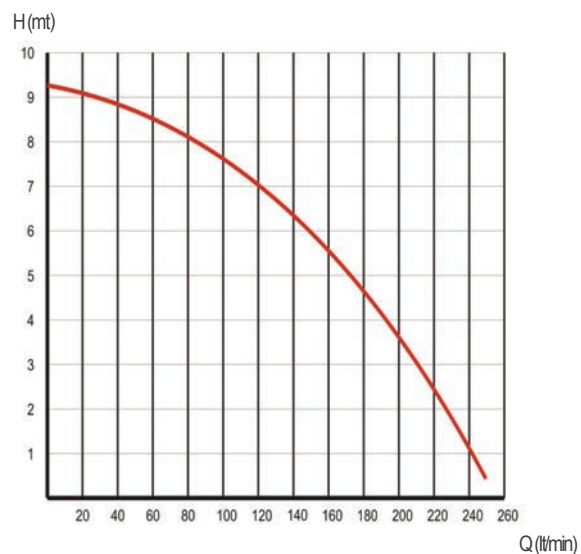
Geysler has a powerful Vortex pump for grey water, equipped with stainless steel blades to cope with even small amounts of residual solids. It allows for the discharge of elevated volumes of grey water, granting excellent performance in terms of height and flow.



GEYSER	WC	WASHBASIN	SHOWER	BIDET	BATH	DISHWASHER	WASHING MACHINE	MAXIMUM DISCHARGE IN METERS	
								DISTANCE	HEIGHT
		✓	✓	✓	✓	✓	✓	100	9

Technical Specifications

Power	600 W
Power Supply	220-240Vac 50Hz
Maximum discharge distance	100 mt
Maximum discharge height	9 mt
Discharge pipe diameter	40 mm
Max water temperature	100 °C
Electrical safety level	IP 55





Planus S.p.A.

S.S. Flaminia Km 57,250

Z.I. Prataroni 01033 Civita Castellana (VT) Italy

Ph +39 0761 542052 - Fax +39 0761 540723

www.planus.eu - info@planus.eu