

## TECHNICAL SPECIFICATIONS WASHBASINS

### Features

- Solid wood composite washbasins
- Seamless, hygienic construction
- Durable, scratch resistant finish
- Separate Woodio™ -material plug cover

### Material

Woodio™ solid wood composite with wood content even up to 80% by volume. High-quality UV, scratch and chemical resistant gel coat finishing.

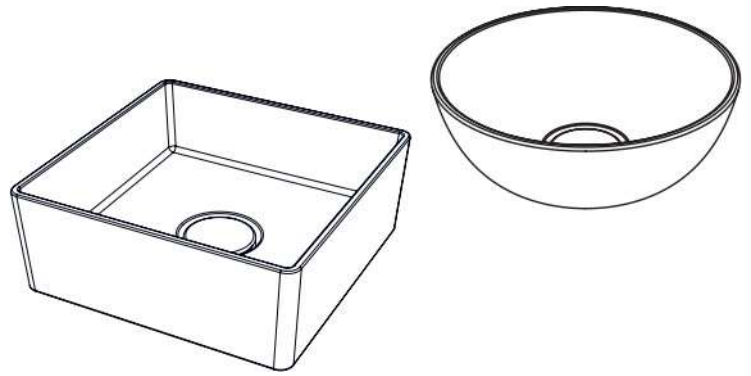
### Certification

Wood chips used in the product are FSC® certified which ensure that they are from forests that are managed responsibly.

### Declared performance

Products are CE marked and meets the criteria of European standard *EN 14688:2006 Sanitary appliances – Wash Basins – Functional requirements and test methods.*

| Essential Characteristics | Performance | Harmonized technical specification |
|---------------------------|-------------|------------------------------------|
| Load resistance           | Pass        | EN 14688:2006                      |
| Cleanability              | Pass        | EN 14688:2006                      |
| Capacity of overflow      | Pass        | EN 14688:2006                      |
| Durability                | Pass        | EN 14688:2006                      |



### Installation

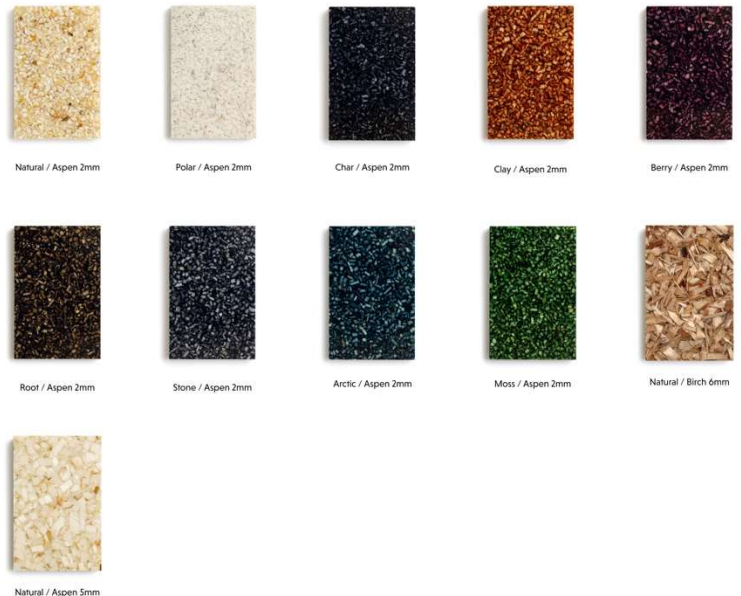
The installation requires a drain valve, including a water trap and a separate drainpipe depending on the site.

Necessary fittings and stainless-steel installation brackets are included with wall hung basins.

The package contains installation instructions.

### Colors

Washbasins are available in different colors.

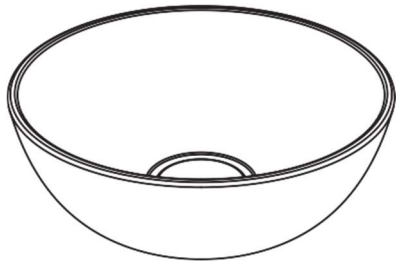


**TECHNICAL SPECIFICATIONS  
WASHBASINS**
**General dimensions**

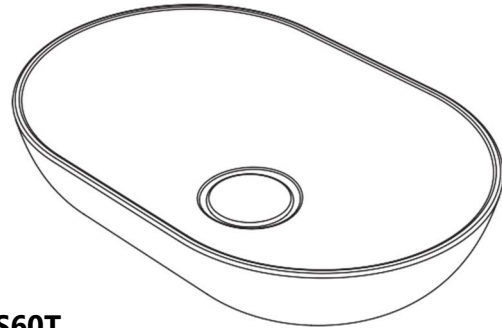
| Product | Outer dimensions<br>(L x W x H) | Weight | Drain hole | Faucet<br>hole | Over-flow<br>hole | Over-flow |
|---------|---------------------------------|--------|------------|----------------|-------------------|-----------|
|         | cm                              | kg     | mm         | mm             | mm                | l/s       |
| S40T    | 40 x 40 x 19(15)                | 5,3    | 44         | -              | -                 | -         |
| S60T    | 60 x 40 x 17(14)                | 8,8    | 44         | -              | -                 | -         |
| S40F    | 40 x 40 x 17(15)                | 6,3    | 44         | 35             | 29                | 0,1       |
| S60F    | 60 x 40 x 15(14)                | 8,9    | 44         | 35             | 29                | 0,1       |
| S40W    | 40 x 40 x 17                    | 9,5    | 44         | 35             | 29                | 0,1       |
| S60W    | 60 x 40 x 15                    | 10,5   | 44         | 35             | 29                | 0,1       |
| C40T    | 40 x 40 x 18(15)                | 6,9    | 44         | -              | -                 | -         |
| C60T    | 60 x 40 x 17(14)                | 10,3   | 44         | -              | -                 | -         |
| C40F    | 40 x 40 x 16(15)                | 8,3    | 44         | 35             | 29                | 0,1       |
| C60F    | 60 x 40 x 15(14)                | 11,2   | 44         | 35             | 29                | 0,1       |
| C40W    | 40 x 40 x 16                    | 8,0    | 44         | 35             | 29                | 0,1       |
| C60W    | 60 x 40 x 15                    | 11,8   | 44         | 35             | 29                | 0,1       |
| S40R    | 40 x 40 x 19(5)                 | 5,4    | 44         | -              | -                 | -         |
| S60R    | 60 x 40 x 17(5)                 | 8,6    | 44         | -              | -                 | -         |
| C40R    | 40 x 40 x 18(5)                 | 6,4    | 44         | -              | -                 | -         |
| C60R    | 60 x 40 x 17(5)                 | 8,6    | 44         | -              | -                 | -         |
| U80I    | 81 x 50 x 14(2)                 | 14,5   | 46         | 35             | 29                | 0,1       |

TECHNICAL SPECIFICATIONS  
WASHBASINS

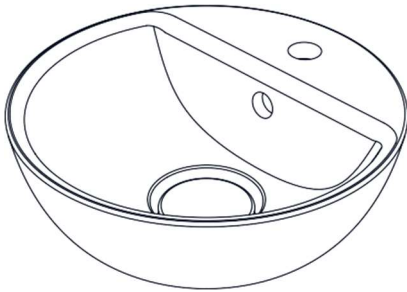
Soft Collection



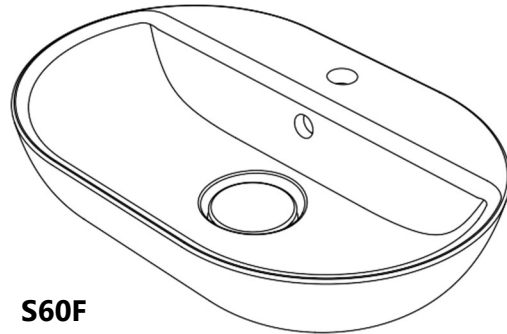
**S40T**  
Soft40 Table top washbasin  
400 mm x 400 mm x 188 mm  
Height after installation 150 mm



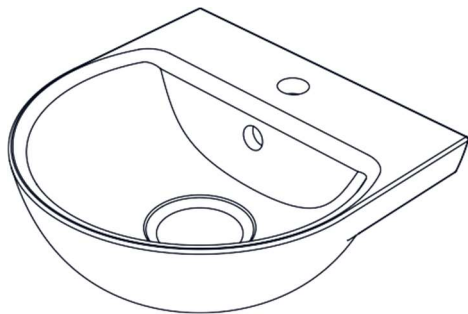
**S60T**  
Soft60 Table top washbasin  
600 mm x 400 mm x 173 mm  
Height after installation 135 mm



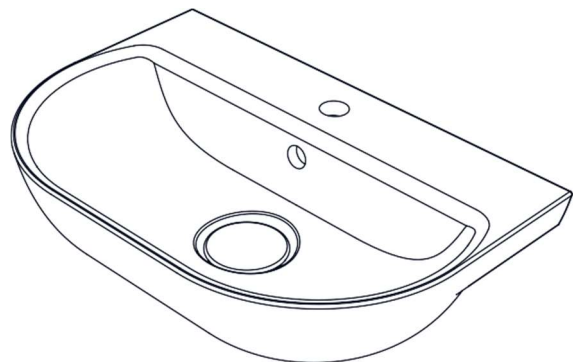
**S40F**  
Soft40 With a faucet  
400 mm x 400 mm x 166 mm  
Height after installation 150 mm



**S60F**  
Soft60 With a faucet  
600 mm x 400 mm x 153 mm  
Height after installation 135 mm



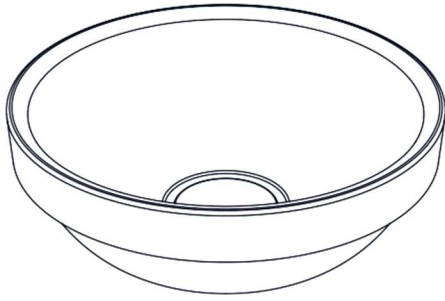
**S40W**  
Soft40 Wall hung  
400 mm x 400 mm x 166 mm



**S60W**  
Soft60 Wall hung  
600 mm x 400 mm x 153 mm

TECHNICAL SPECIFICATIONS  
WASHBASINS

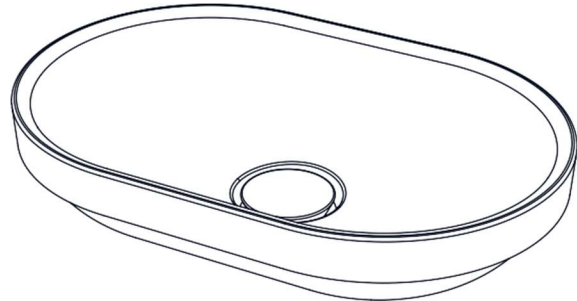
**Soft Collection**



**S40R**

**Soft40 Recessed**

400mm x 400mm x 188mm  
Height after installation 50 mm



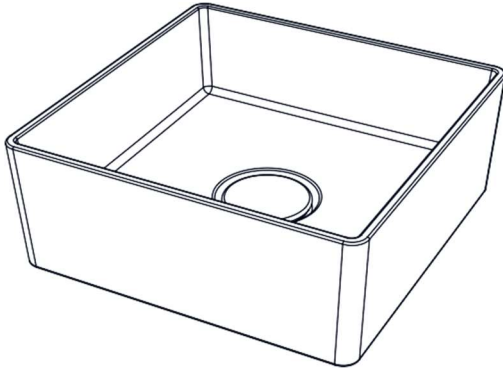
**S60R**

**Soft60 Recessed**

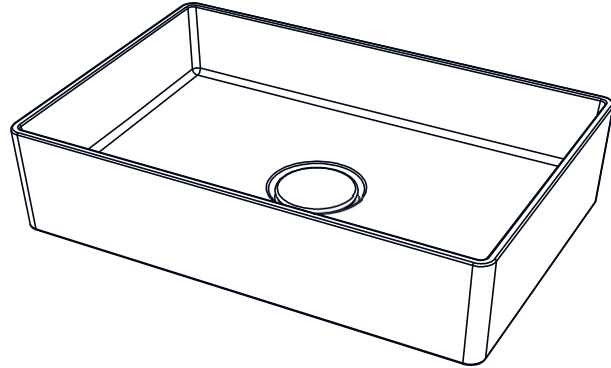
600 mm x 400 mm x 173 mm  
Height after installation 50 mm

TECHNICAL SPECIFICATIONS  
WASHBASINS

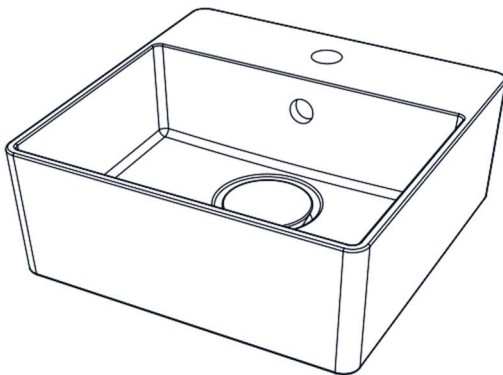
Cube Collection



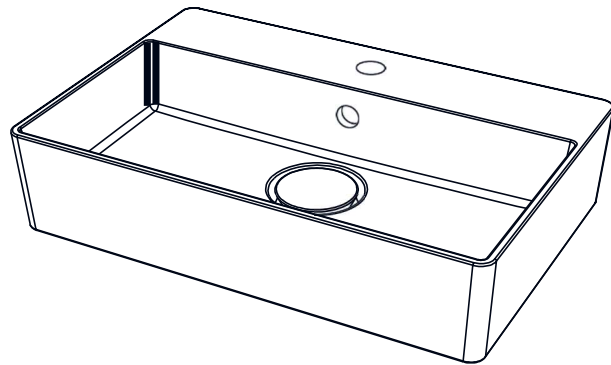
**C40T**  
**Cube40 Table top washbasin**  
400 mm x 400 mm x 184 mm  
Height after installation 150 mm



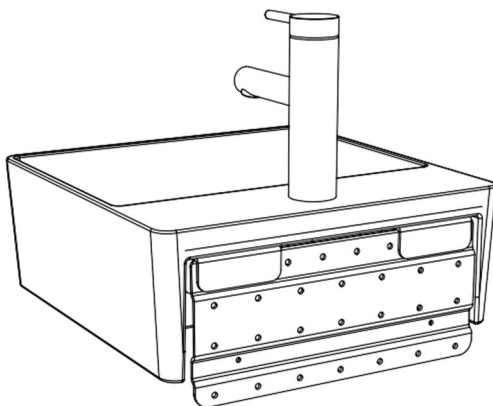
**C60T**  
**Cube60 Table top washbasin**  
600 mm x 400 mm x 169 mm  
Height after installation 135 mm



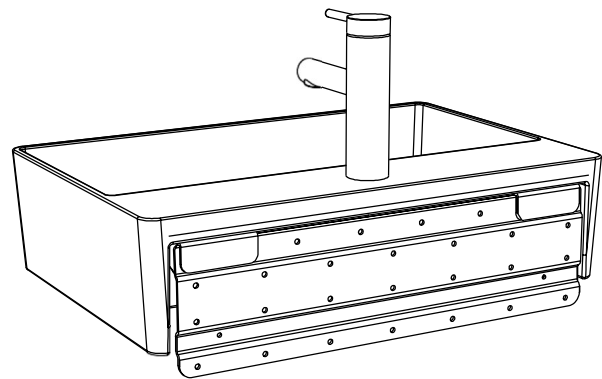
**C40F**  
**Cube40 With a faucet**  
400 mm x 400 mm x 164 mm  
Height after installation 150 mm



**C60F**  
**Cube60 With a faucet**  
600 mm x 400 mm x 149 mm  
Height after installation 135 mm



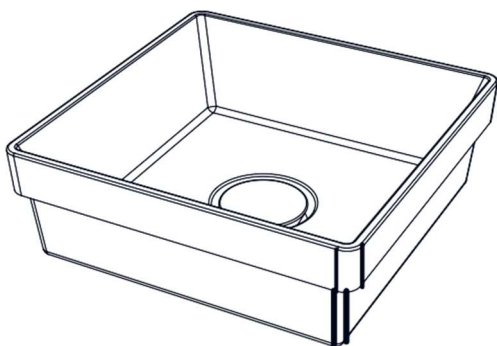
**C40W**  
**Cube40 Wall hung**  
400 mm x 400 mm x 164 mm



**C60W**  
**Cube60 Wall hung**  
600 mm x 400 mm x 149 mm

TECHNICAL SPECIFICATIONS  
WASHBASINS

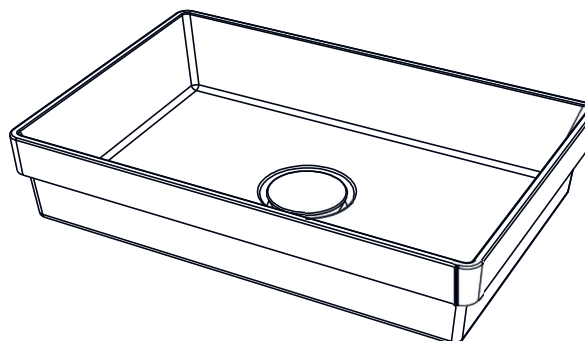
**Cube Collection**



**C40R**

**Cube40 Recessed**

400 mm x 400 mm x 184 mm  
Height after installation 50 mm

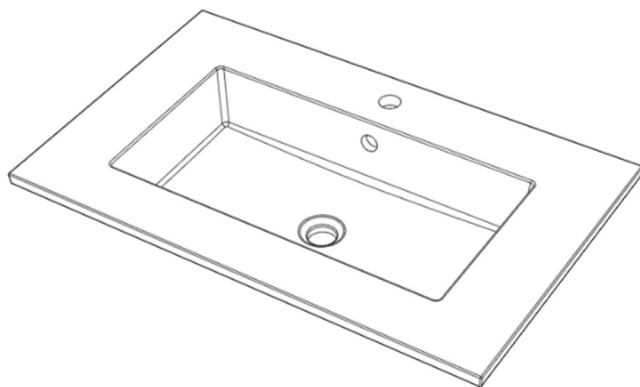


**C60R**

**Cube60 Recessed**

600 mm x 400 mm x 169 mm  
Height after installation 50 mm

**Unit**



**U80I**

**Unit80 Integrated**

812 mm x 503 mm x 138 mm  
Height after installation 20 mm