

**PLANUS**

L'esperienza è garanzia

**WAVE
-
STILOPLUS**



**MACERATOR TOILET
WC CON TRITURATORE**

**REGISTER YOUR PRODUCT:
WWW.PLANUS.EU**

CE

 Numero Verde
800 13 16 45



INDEX

1. INSTALLATION WARNINGS:	03
2. WARNINGS AND PRECAUTIONS FOR USE:	03
3. DIMENSIONS:	04
4. TECHNICAL DATA:	05
5. PRINCIPLE OF OPERATION:	06
6. ACCESSORIES	07
7. INSTALLATION:	08
8. MAINTENANCE OF THE PRODUCT:	09
9. WARRANTY CONDITIONS:	18

1. WARNINGS AND PRECAUTIONS FOR INSTALLATION

- The device must be installed only by qualified personnel and can only be used following the correct installation carried out as indicated in this booklet.
- The apparatus shall be powered by a network protected by a differential switch having a maximum permissible current difference not exceeding 30mA.
- It is advisable to provide a power outlet for the exclusive use by the appliance.
- If the power cord is damaged, it must be replaced by the manufacturer or by similarly qualified personnel.
- During installation and before performing any maintenance, make sure that the power cord is not connected.
- In case of malfunction, disconnect the power plug and avoid using the toilet. For "All-in-one" versions, avoid using utilities connected to the main exhaust sleeve.

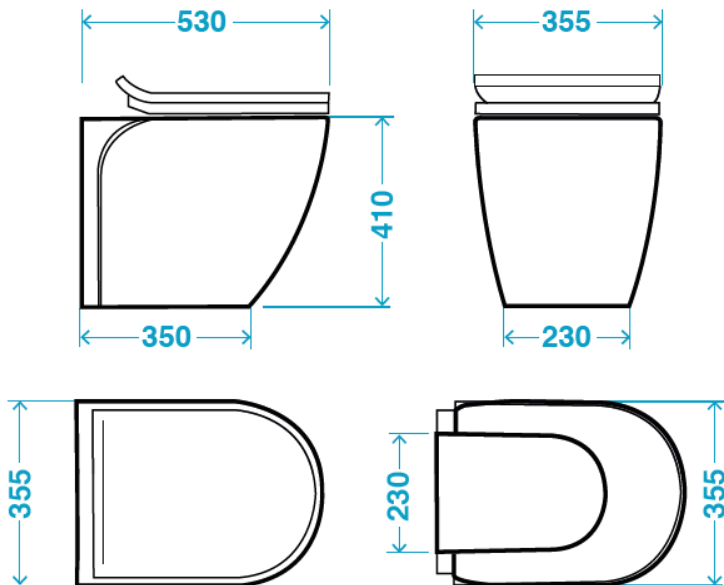
2. WARNINGS AND PRECAUTIONS CONCERNING USE

- This appliance is for domestic use only.
- The device is designed to drain only toilet paper and organic residues. Avoid throwing in foreign objects that can damage it (such as: cloth, condoms, absorbents, make-up wipes, plastic or metal objects, food or other solid kitchen residues, etc.).
- Children and all persons with reduced or inexperienced physical, sensitive or mental abilities may not use the appliance unless supervised or properly instructed by a person responsible for their safety.
- In case the house or the bathroom is not used for a long time (holidays or other) it is advisable to close the general entrance of the water.
- Solvents or other chemicals can damage the appliance.
- In case of prolonged use, the thermal disconnecter to protect the appliance will automatically stop the power supply of the engine if it overheats. In this case, disconnect the power supply and then reconnect it after a break of about 30-60 minutes. The appliance will return to normal operation.

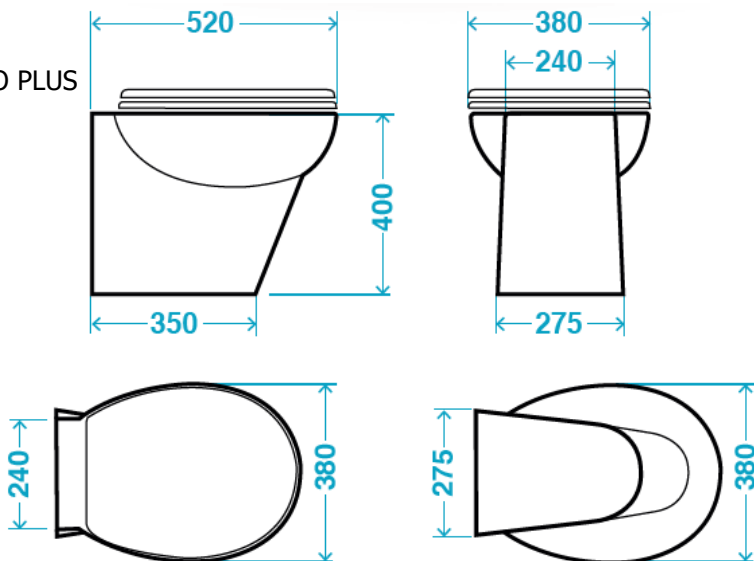
3. DIMENSIONI / DIMENSIONS (mm)



WAVE



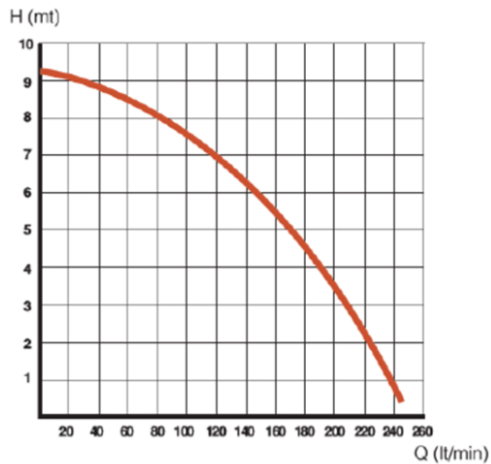
STILO PLUS



4. DATI TECNICI / TECHNICAL DATA

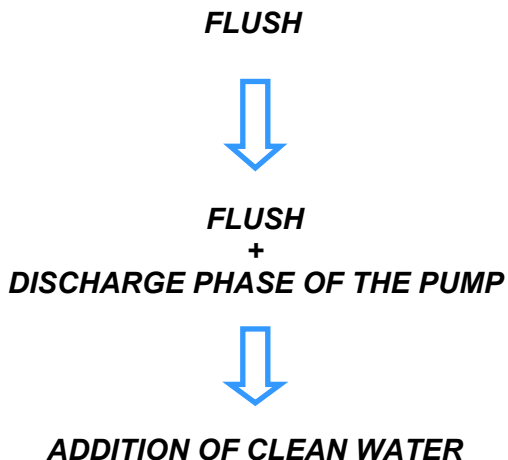
Tensione di alimentazione / Power Supply	AC 220-240V, 50Hz
Assorbimento / Power	600W
Grado di protezione / Degree of Protection	IP55
Norme/Standards	EN 60335-1 EN 60335-2 EN 12050-3
Prevalenza / Prevalence	4 m
Consumo di acqua / Water Consumption	3 Lt / 1.8 Lt
Diametro tubo di scarico / Discharge Hose \varnothing	40 mm

Caratteristica della pompa:

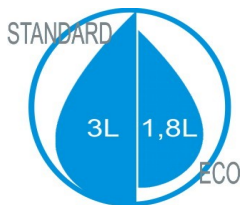


5. PRINCIPLE OF OPERATION

- The system is operated by a button on the side of the toilet. Once pressed, the operating cycle of the sanitary with macerator is structured as follows:



- A quick push of the button starts the cycle with reduced water consumption (ECO). Keeping the button pressed for longer increases the amount of water used in the rinsing and filling phases (MAX 3lt.).



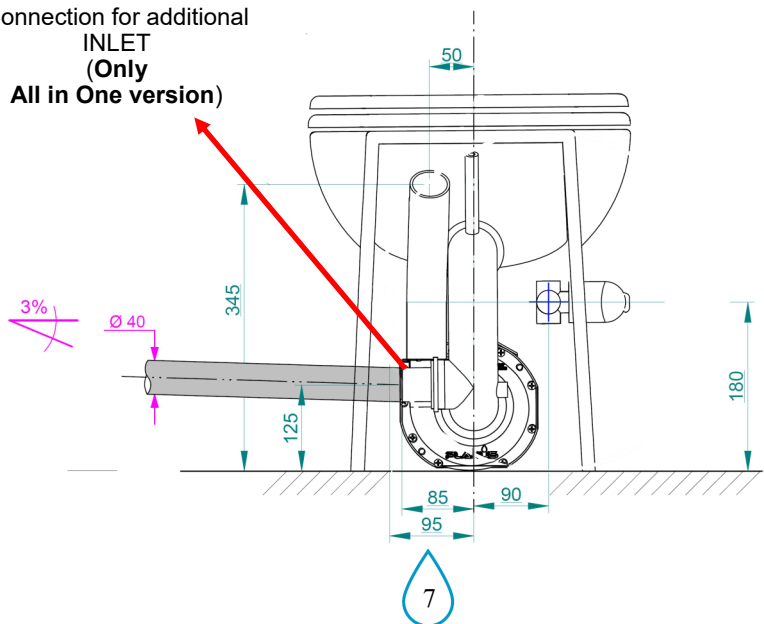
6. ACCESSORIES



ITEM	QUANTITY (Pz.)
HOSE HOLDER Ø 40mm	1 (+1*)
CLAMP 32/50 W2	2 (+2*)
FLEXIBLE PIPE Ø 40mm	1 (+1*)
CAP Ø 40mm	1*
FILTERT 3/4" FOR HOT WATER	1
GROUND FIXING	2

*solo versione All-in-One

Connection for additional
INLET
(Only
All in One version)



7. INSTALLATION



- **Electrical connection**

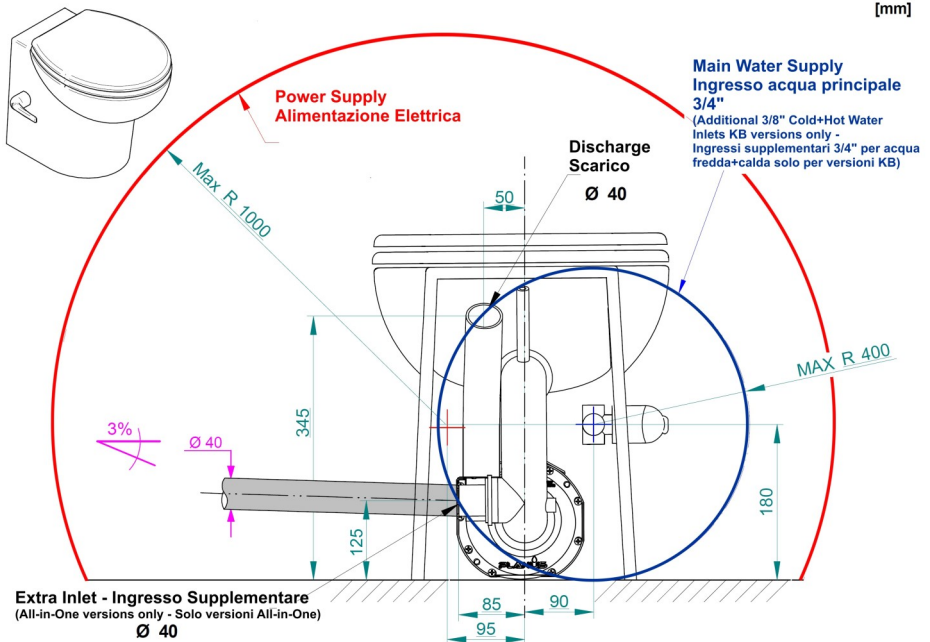
It is necessary to prepare the connection to the home network (230vac) according to current regulations.

- **Hydraulic connection:**

The system does not require a drain box. Connection to the domestic cold water line is required.

For the attack position refer to diagram the following for the predispositions. The indicated positions are indicative, being flexible fittings.

[mm]



- **Indications and preliminary suggestions**



In order to realize a wire-wall installation, with not visible tubes it is suggested the creation of a wall (preferably plasterboard), to create a gap suitable for the passage of the pipes.

Then create a special frame (1) for the wall.

Prepare the discharge line (Ç 40mm). It is suggested the use of rigid pipes in PVC Ø40mm. First make the ascending section (2), then through a softened curve (3) realize the horizontal section, with a minimum slope of 1%. It is recommended in this section to provide for an increase in the section (4), until reaching the ventilated sewer descending.

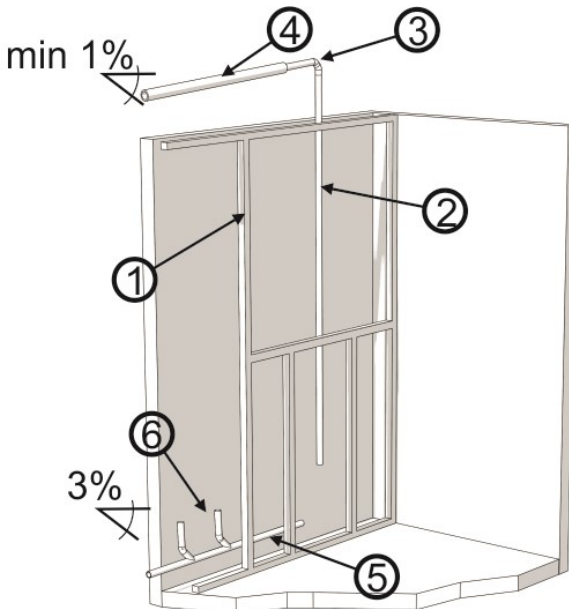
For the "All-in-One" versions, prepare the piping (5) for collecting the waste water from additional utilities, connected to it (6). Ensure a slope of 3%.

NOTE for "All-in-One" versions:

In case of non-use of the additional inlet it is necessary to seal it with the supplied 40cap. Tighten with a collar (clamp).

Prepare a tap with thread M 3/4" for connection to the domestic water supply (cold water), which will be used for rinsing the toilet.

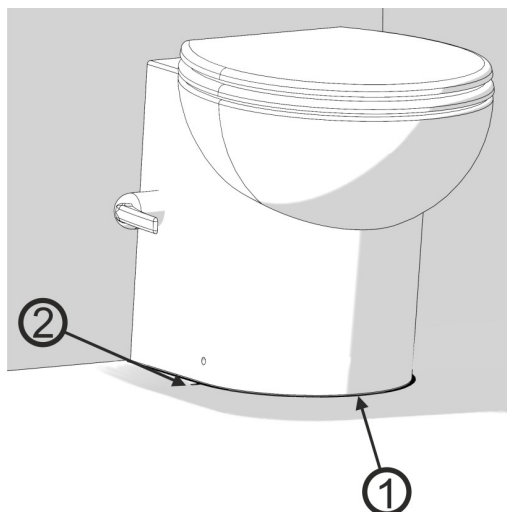
For only the "KB" version of the Stilo Plus, similarly arrange 2 taps with M1/2 thread" for the connection of the hot and cold water hoses of the integrated bidet kit.



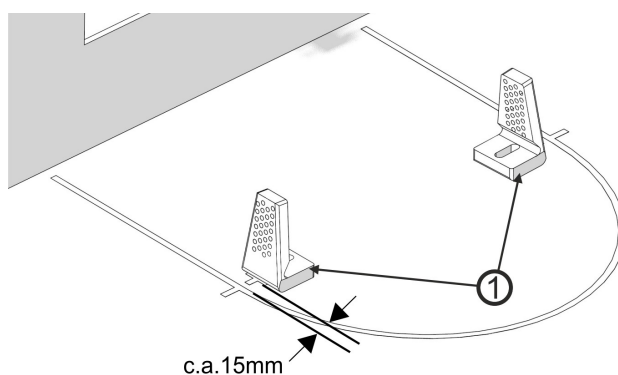
- **Indications and preliminary suggestions**



Place the toilet in the chosen point and draw with a pencil the profile of the foot (1), also marking the position of the holes for fixing to the ground (2).



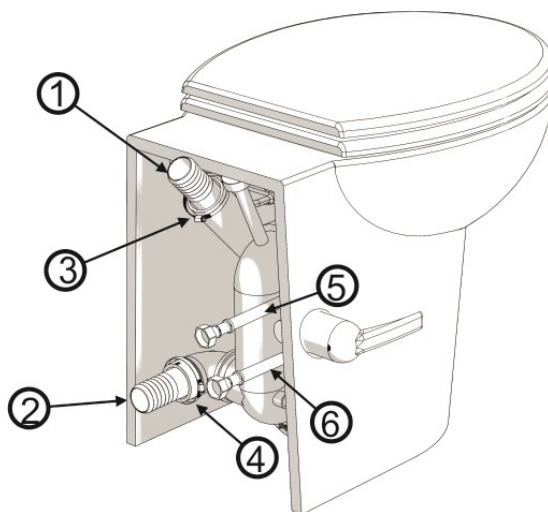
Move the toilet and, at the marks for the position of the hardware on the ground, place the provided fixing brackets (1), taking care to leave enough space for the thickness of the ceramic (at least 15mm). Then fix the brackets to the ground with the dowels.



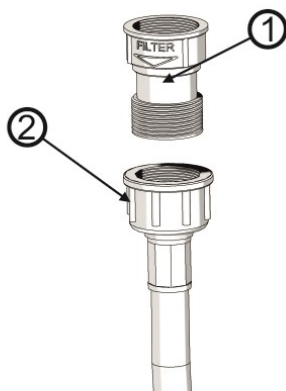
- **Toilet preparation**



Fasten the supplied **HOSE HOLDER 40 (1)** to the toilet outlet fitting via the supplied collar (**clamp**) **32-50 (3)**. For the "**All-in-One**" versions, similarly attach the second hose adapter **40 provided (2)** to the additional inlet fitting via collar (**clamp**) **32-50 provided (4)**. Make sure there are gaskets for the hot and cold water hoses (5/6) of the integrated bidet kit (KB version only).



Then fix the **3/4 water inlet filter provided (1)** to the **flexible water inlet pipe of the toilet (2)**, respecting the direction indicated on the filter itself.

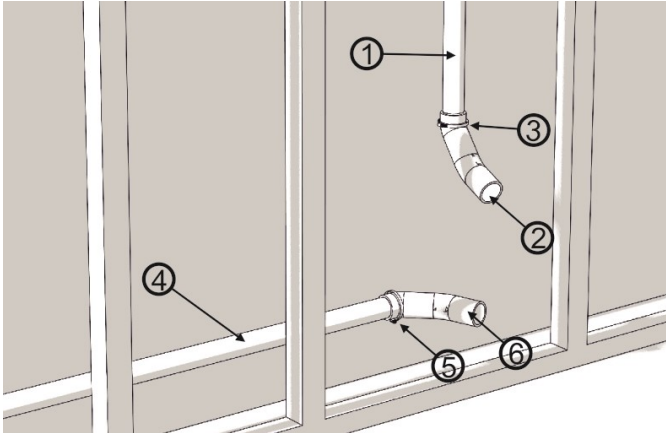


- **Hydraulic connection of the toilet**



In correspondence of the suspended **toilet holder** (1) connect to the **waste line** (2) the **hose fitting G 40mm provided** (4), tightening it with the collar (**clamp**) **32-50 provided** (5).

For the "All-in-One" versions, connect to the waste water collection pipe of the **additional utilities**(3) the second hose connection hose \varnothing 40mm provided (7), tightening it with the collar (clamp) 32-50 provided (6).

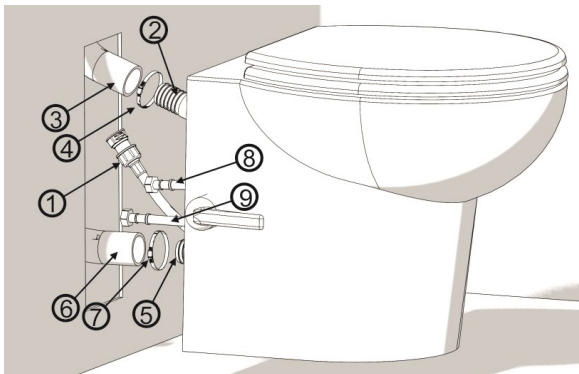


Insert in the cavity the water inlet pipe of the toilet equipped with a **filter** (1). Fasten the hose holder of the **toilet drain** (2) to its **hose connection** (3) via the collar (**clamp**) **32-50 provided** (4).

In the case of the "All-in-One" version, attach the respective **hose holder** (5) to its

Flexible fitting (6) via collar (**clamp**) **32-50 supplied** (7).

In case of "KB" version, insert the hot (8) and cold (9) water hoses of the integrated bidet mixer into the cavity.

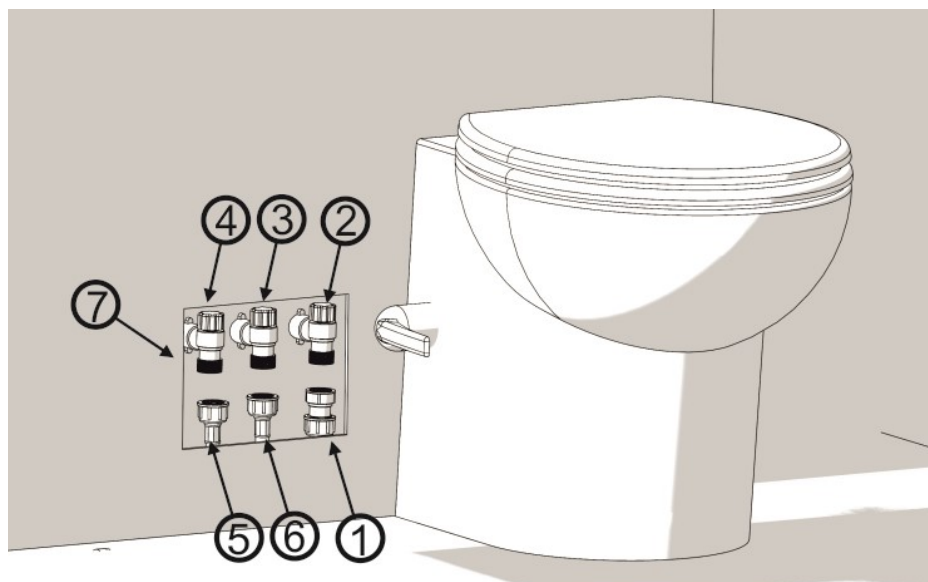


- **Connection to the domestic water supply**

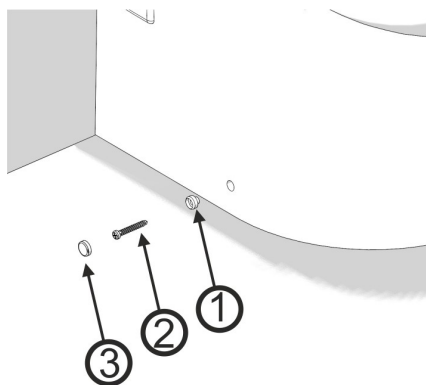


Inside the cavity, connect the water inlet pipe equipped with a filter (1) to the tap (2) prepared for connection to the cold water line.

In order to be able to use the tap and to be able to carry out regular cleaning and maintenance of the filter, as well as to exclude the toilet from the domestic water supply, it is suggested the creation of an inspection opening (3).



Place the toilet and fix it to the brackets previously prepared, first inserting the ceramic bushings provided (1), then tighten with screws (2) and then fasten the supplied screw caps (3).



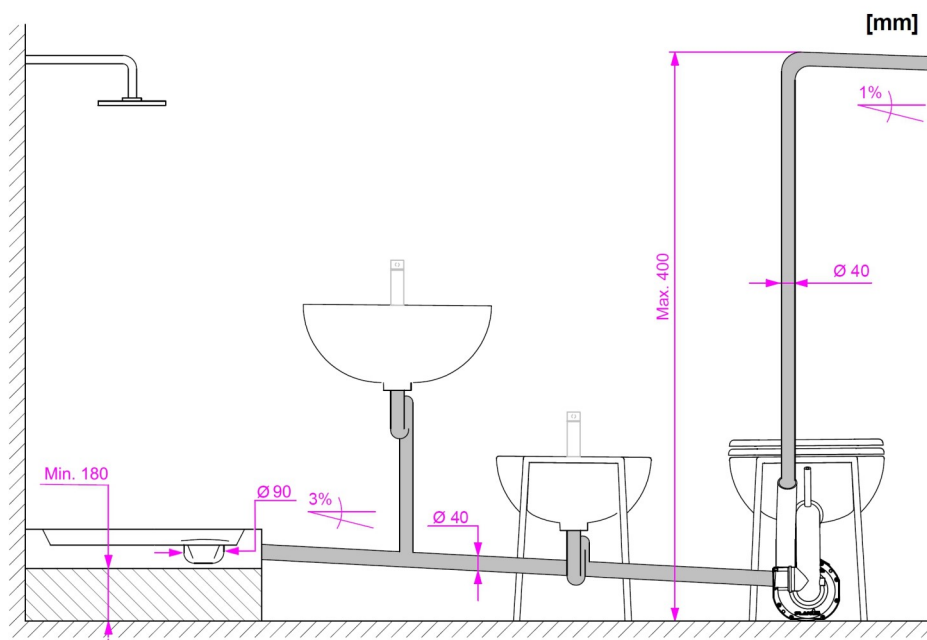
- **Information on the hydraulic system**



In order for the system to work properly, diameters and slopes should be chosen according to the diagram below.

In the specific case of the shower tray, the difference in height between the inlet of the drain and the reference plane must be at least 18 cm, to which must be added the required slope (**3 cm for each linear metre of pipe**).

It is necessary to use the drain drain drain 90 mm.



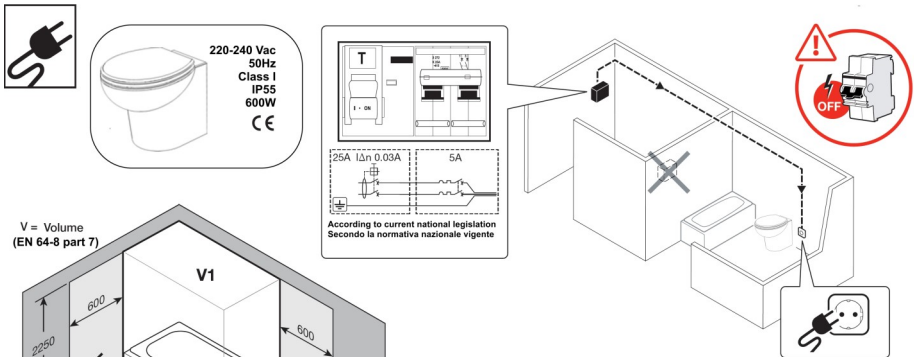
- **Connection to the mains**



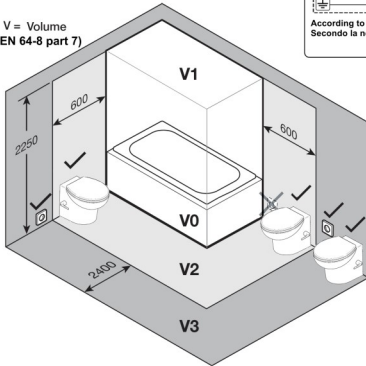
Electrical installation must be carried out by qualified personnel.

The apparatus must be connected to a network including a properly installed ground connector.

The connection must respect the distances dictated by the national regulations in force, as shown in the figure below.



V = Volume
(EN 64-8 part 7)



THIS PRODUCT COULD BE INSTALLED IN VOLUME 2, ALTHOUGH ITS SOCKET MUST BE IN VOLUME 3, ACCORDINGLY EN 64-8 part 7, IF COMPATIBLE WITH LOCAL COUNTRY REGULATION.

QUESTO PRODOTTO PU' ESSERE INSTALLATO NEL VOLUME 2 SEBBENE LA PRESA ELETTRICA DEVE ESSERE NEL VOLUME 3, SECONDO LA NORMA EN 64-8 part 7, SE QUESTE DISPOSIZIONI SONO COMPATIBILI CON LE REGOLAMENTAZIONI NAZIONALI.

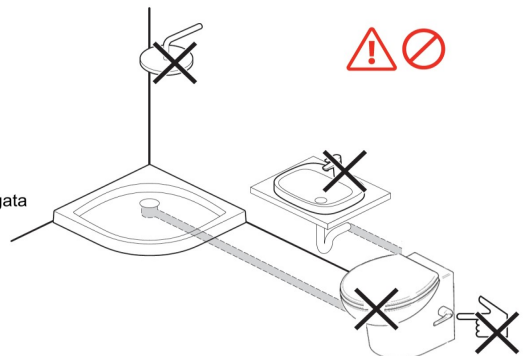


Power supply failure

In case of power supply failure, do not flush the toilet or use any other appliance connected to the toilet.

Mancanza di corrente

In caso di mancanza di corrente, non utilizzare il wc né alcuna utenza collegata al wc.



WARNING : Tips for drain pipes



The exhaust pipe must not have bottlenecks.

In the case of discharge in prevalence, this must be done before the horizontal one, at the beginning of the discharge path.

All horizontal strokes must have a minimum slope of 1:100 (10mm per meter) until the connection to the sewer descender (slope 1%).

It is preferable to arrange a drainage point to allow the possible emptying of the exhaust pipe before any intervention on the appliance.

The exhaust line shall be adequately ventilated:

In some cases the depression that is generated inside the exhaust pipe could empty the appliance and the siphon or siphons of connected users, resulting in the emission of bad odours. Make sure that the sewer descending is properly ventilated. Otherwise it is recommended to install a ventilation valve at the highest point of the tubing.

- If the exhaust pipe has external sections, it is advisable to protect the pipe to prevent the possibility of freezing.

N.B.: Each bend along the discharge pipe results in a pressure drop (approximately 50 cm from the declared vertical discharge capacity for each curve).

It is recommended to use softened angle fittings (or 2 X 45 thick used together) avoiding the use of elbows at 90 °.

TESTING YOUR INSTALLATION

Toilet discharge: The engine of the appliance starts according to the preset rinsing cycle, at the pressure of the discharge button. It may be normal at first use for toilet emptying to be inadequate. Wait a few seconds and repeat the discharge procedure.

Unloading of the other connected utilities (**All-in-One version only**): the engine of the unit starts automatically. Depending on the inlet flow rate and the exhaust pipe path, engine ignition can be intermittent.

Check that there is no water leakage from any of the connections.

INSTRUCTIONS FOR CORRECT INSTALLATION AND USE:



9. PRODUCT MAINTENANCE

WARNING !!!

TECHNICAL WORK MUST BE CARRIED OUT ONLY BY QUALIFIED TECHNICAL PERSONNEL.
DISCONNECT THE POWER SUPPLY BEFORE ANY INTERVENTION ON THE APPLIANCE.

For effective maintenance and cleaning of the internal components, it is recommended to use periodically the original Planus descaler. See www.planus.eu for more information.

WARNING !!!

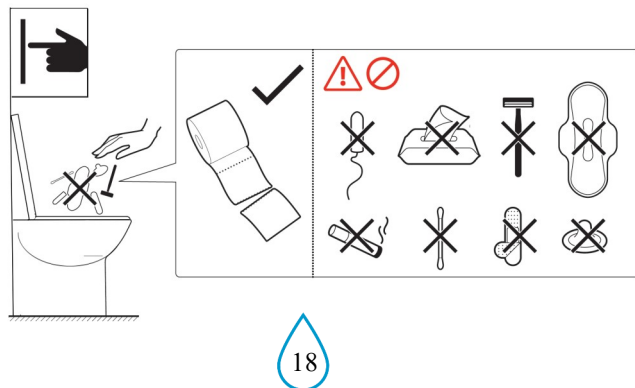
Do not use vinegar - caustic soda or other strongly acidic products for internal pump cleaning.

10. WARRANTY

The products are guaranteed 2 years, from the date of purchase. The warranty expires if installed or used in a manner not in accordance with this manual.

It is recommended to register the product on the website www.planus.eu.

WARNING! The product is designed for the disposal of sanitary water containing or not sewage water. Water soluble toilet paper is allowed. The discharge of inappropriate material, such as cotton, tampons, condoms, hair, wipes, food, metal objects, wood or plastic or by pumping liquids such as solvents or motor oils can damage the appliance.





CAUTION: *Proper disposal of this product (Applicable in the European Union countries and countries with separate collection systems) The marking on the product or its literature indicates that the product must not be disposed of with other household waste at the end of the life cycle. To prevent possible harm to the environment or human health from uncontrolled waste disposal, the user is encouraged to separate this from other types of wastes and recycle it responsibly to promote the sustainable reuse of material resources. Household users should contact either the retailer where you purchased the product or their local government office, for details on separate collection and recycling for this type of product. Business users should contact their supplier to check the terms and conditions of the purchase contract. This product should not be mixed with other commercial waste*

ACHTUNG: *Die ordnungsgemäße Entsorgung dieses Produkts (In den Ländern der Europäischen Union und in Ländern mit einem separaten Sammelsystem)*

Die Kennzeichnung auf dem Produkt oder seiner Literatur zeigt, dass das Produkt nicht mit dem Hausmüll am Ende des Lebenszyklus entsorgt werden müssen. Um mögliche Schäden für die Umwelt oder die menschliche Gesundheit nicht durch unkontrollierte Abfallentsorgung zu verhindern, wird der Benutzer aufgefordert, diese von anderen Arten von Abfällen zu trennen und recyceln sie die nachhaltige Wiederverwertung von stofflichen Ressourcen zu fördern. Private Nutzer sollten den Händler wenden, bei dem Sie das Produkt oder die zuständigen Behörden erworben haben, für weitere Details über die getrennte Sammlung und das Recycling für diese Art von Produkt. Gewerbliche Nutzer sollten sich an ihren Lieferanten die Bedingungen und Konditionen des Kaufvertrages zu prüfen. Dieses Produkt sollte nicht mit anderen gewerblichen Abfällen gemischt werden

ATTENZIONE: *Corretto smaltimento del prodotto (Applicabile nei paesi dell'Unione Europea e in quelli con sistema di raccolta differenziata)*

Il marchio riportato sul prodotto o sulla sua documentazione indica che il prodotto non deve essere smaltito con altri rifiuti domestici al termine del ciclo di vita. Per evitare eventuali danni all'ambiente o alla salute causati dall'inopportuno smaltimento dei rifiuti, si invita l'utente a separare questo prodotto da altri tipi di rifiuti e di riciclarlo in maniera responsabile per favorire il riutilizzo sostenibile delle risorse materiali. Gli utenti domestici sono invitati a contattare il rivenditore presso il quale è stato acquistato il prodotto o l'ufficio locale preposto per tutte le informazioni relative alla raccolta differenziata e al riciclaggio per questo tipo di prodotto. Gli utenti aziendali sono invitati a contattare il proprio fornitore a verificare i termini e le condizioni del contratto di acquisto. Questo prodotto non deve essere smaltito unitamente ad altri rifiuti commerciali



PLANUS S.p.A. - S.S. Flaminia Km 57,250 – Z.I. Prataroni
01033 Civita Castellana (VT) – Italy
23

EN 60335-1

EN 60335-2-84

EN 12050-3

WASTEWATER LIFTING PLANT

DN 23/28/32/40

Lifting effectiveness – see pump curve

08.167.00

Planus S.p.A.

Via S. Giovanni Valdarno, 8 - 00138 Roma - Italy

Production Plant:

S.S. Flaminia Km 57,250 – Z.I. Prataroni - 01033 Civita Castellana – Italy

Tel +39 0761 542052 Fax +39 0761 540723

info@planus.eu - www.planus.eu

