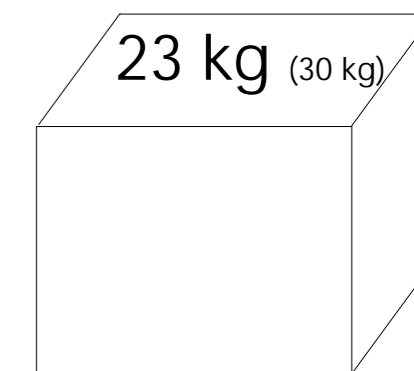
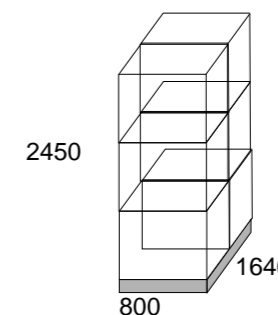




q-max 600 l / 24 h - 75 l / h

BioBox XL
 BioBox XL +pakor
 Sk420 + BioBox XI
 Sk600 + BioBox XI
 Sk1200 + 2xBioBox XI



1 pc size 820x710x750 mm

6 pcs size 800x1640x2450
 (with pallet)

Malli, varustetaso, lisävarusteet:

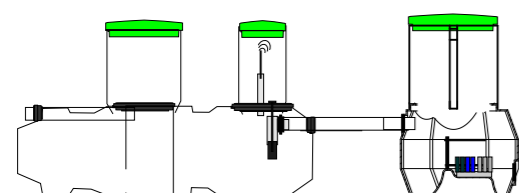
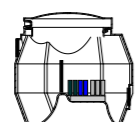
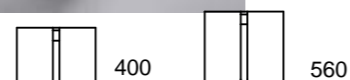
Malli	Kapasiteetti l / 24 h	SK 420	SK600	SK1200 SAV	BM	Pakor
Bio-Box XL	600	+	+	+	+	+

Modell, utrustningsnivå, tilläggsutrustning::

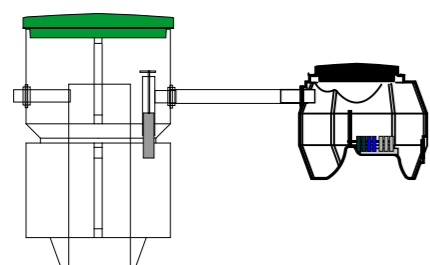
Modell	Kapasitet l / 24 h	SK 420	SK600	SK1200 SAV	BM	Pakor
Bio-Box XL	600	+	+	+	+	+

Model, equipment level, auxiliary equipment:

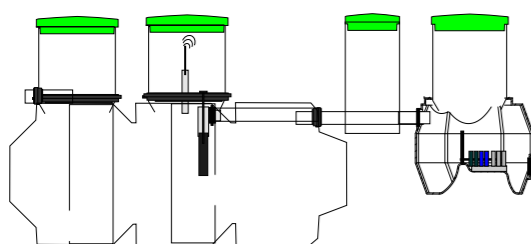
Model	Capacity l/24 h	SK 420	SK600	SK1200 SAV	BM	Pakor
Bio-Box XL	600	+	+	+	+	+



q-max 600 l / 24 h - 125 l / h



q-max 600 l / 24 h - 125 l / h

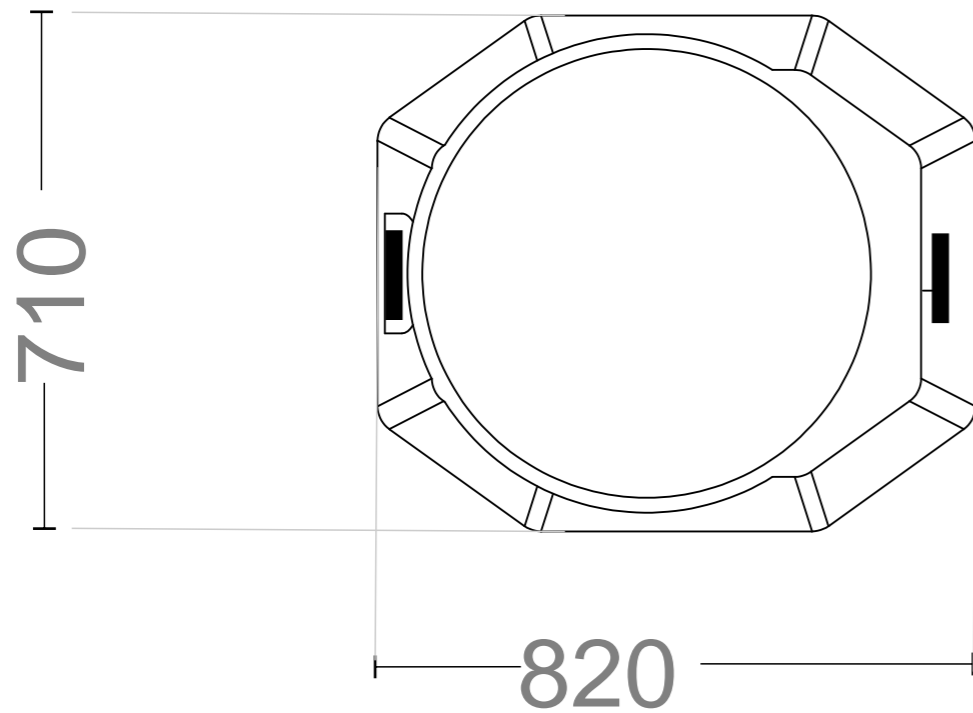
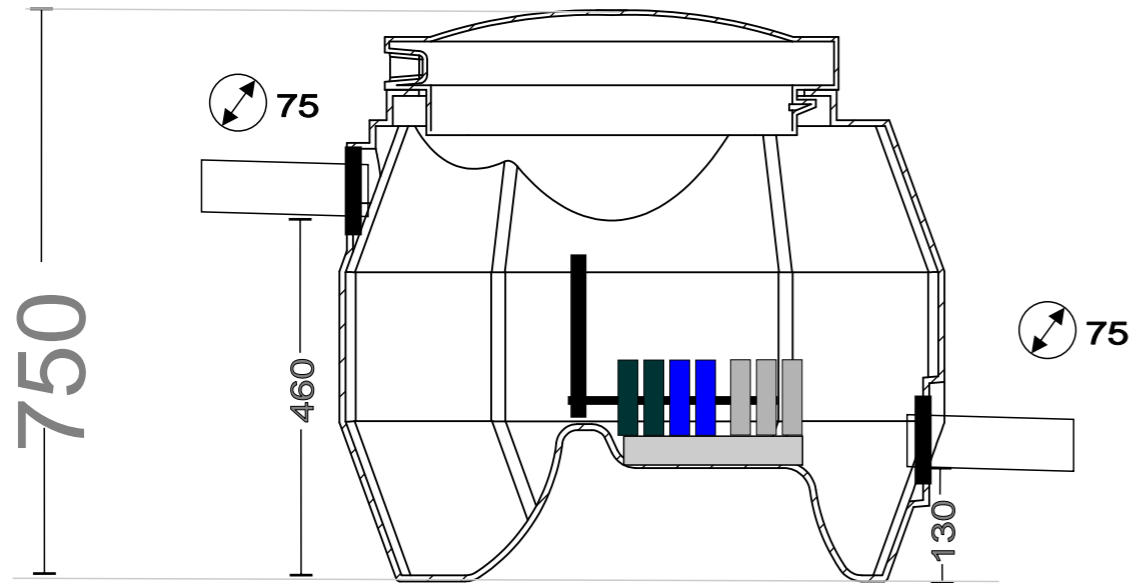


q-max 1200 l / 24 h - 250 l / h

		Scale:
raitabiobox.fi		BioBox XL
		2019

BioBox XI

q-max 600 l/ 24 h - 75 l/h



BioBox XL suodattimien asennus



Malli, varustetaso, lisävarusteet:

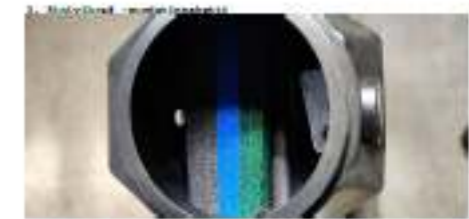
Malli	Kapasiteetti l/ 24 h
Bio-Box XL	600

Modell, utrustningsnivå, tillägsutrustning::

Modell	Kapasitet l/ 24 h
Bio-Box XL	600

Model, equipment level, auxiliary equipment:

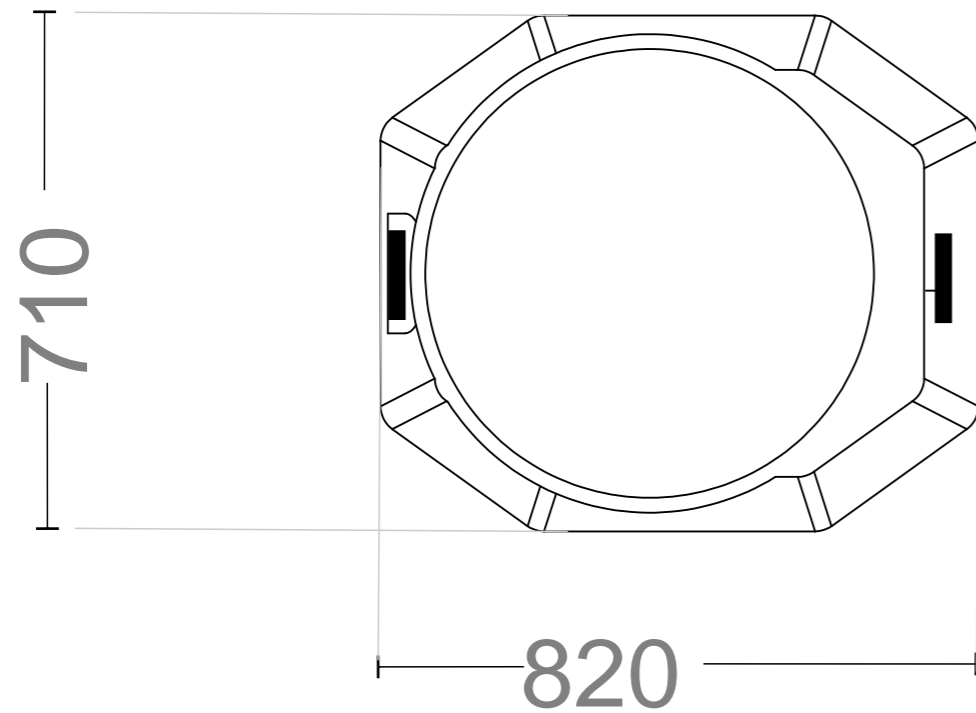
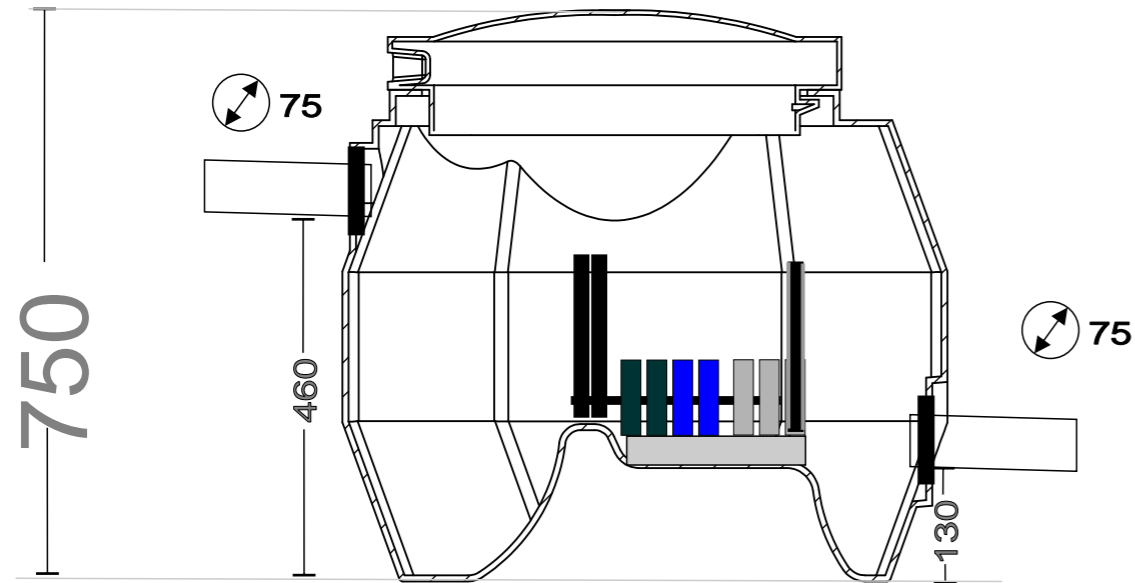
Model	Capacity l/ 24 h
Bio-Box XL	600



		Scale:
	BioBox XL	2019
raitabiobox.fi		

BioBox XL+

q-max 750 l/ 24 h - 125 l/ h



Malli, varustetaso, lisävarusteet:

Malli	Kapasiteetti l/ 24 h
Bio-Box XL+	750

Modell, utrustningsnivå, tillägsutrustning::

Modell	Kapasitet l/ 24 h
Bio-Box XL+	750

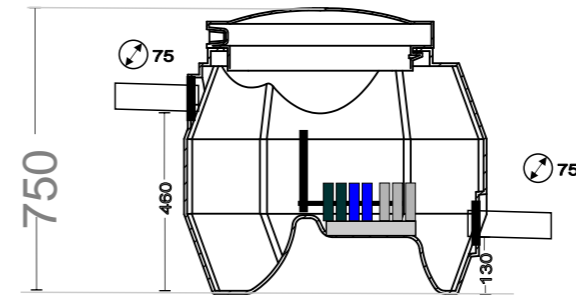
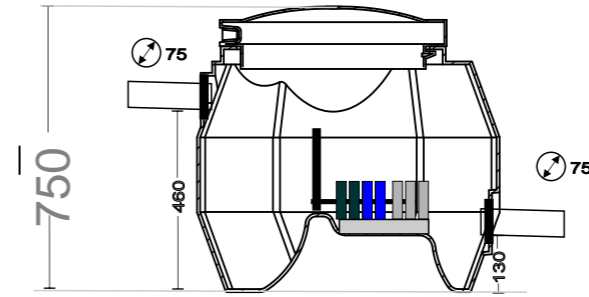
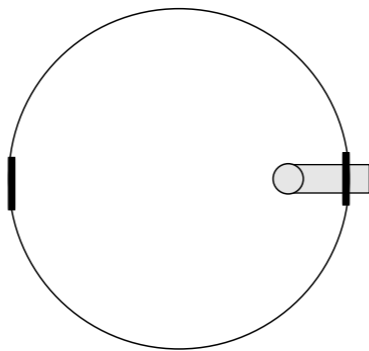
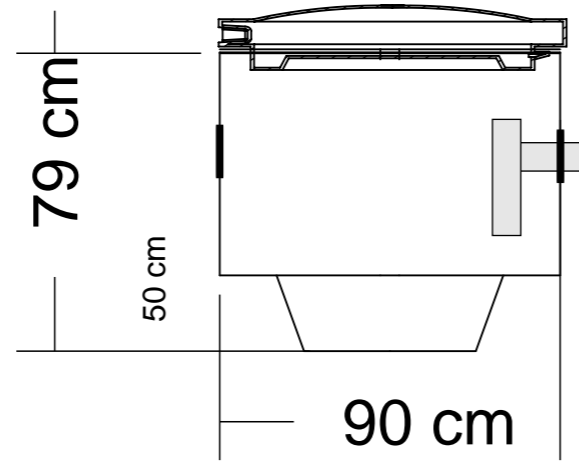
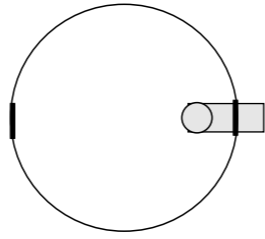
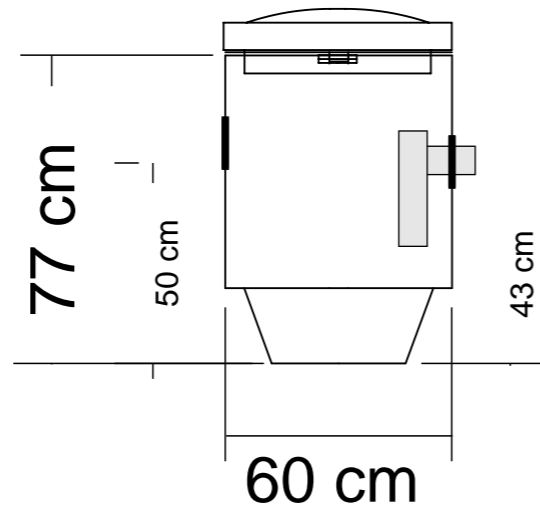
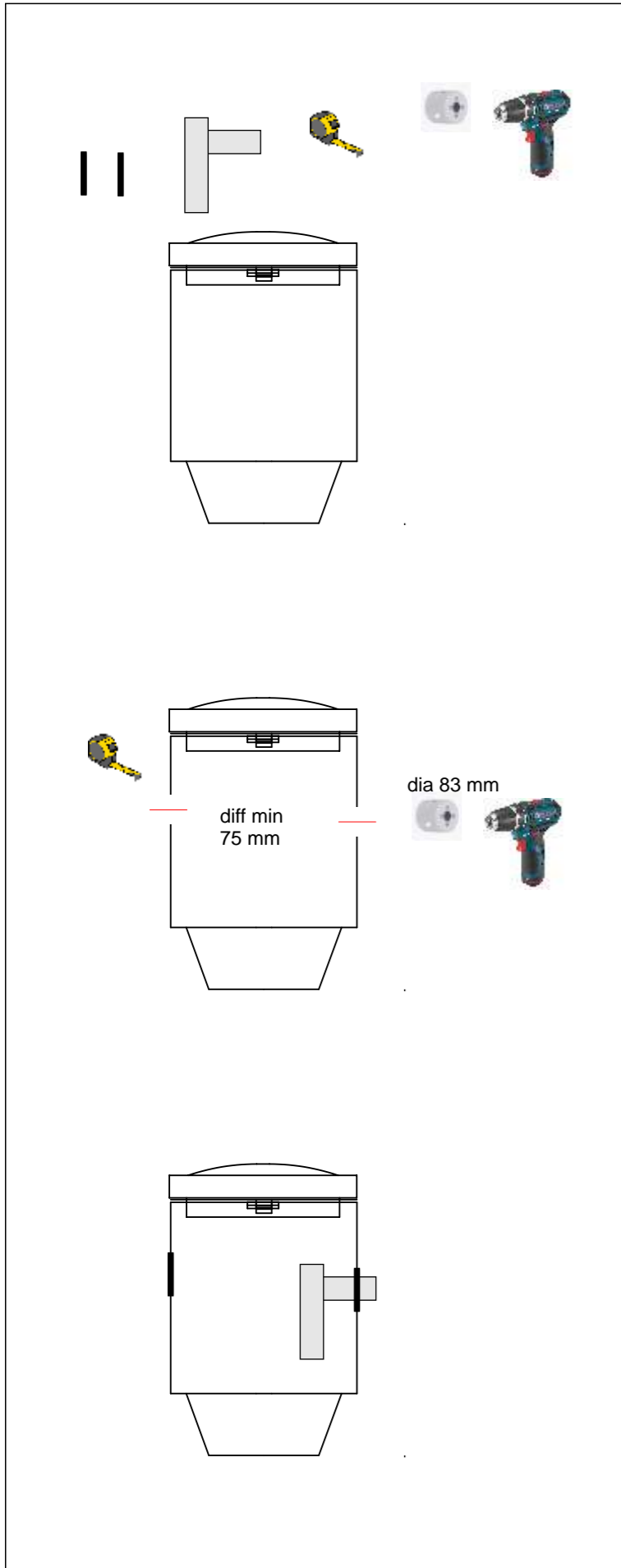
Model, equipment level, auxiliary equipment:

Model	Capacity l/ 24 h
Bio-Box XL+	750

		Scale:
		BioBox XL
		2019
raitabiobox.fi		

Sk100 / Sk250 + BioBox XL (+)

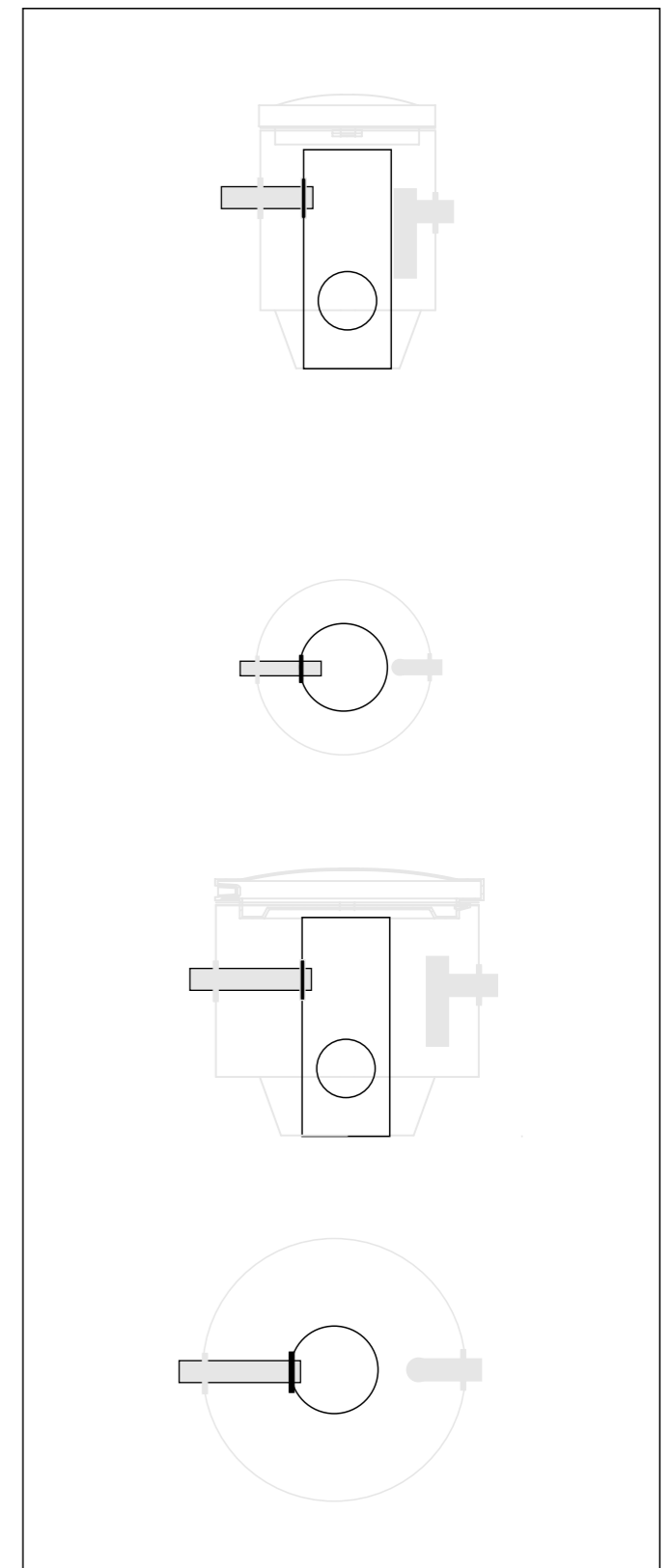
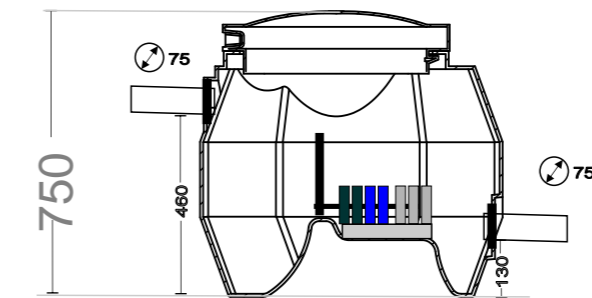
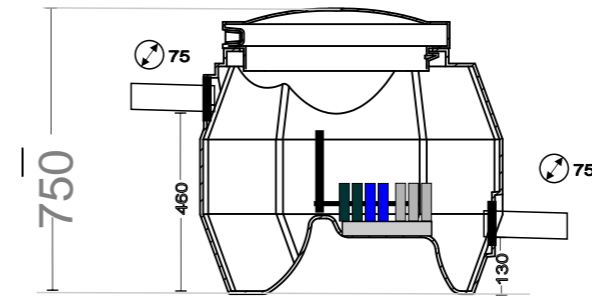
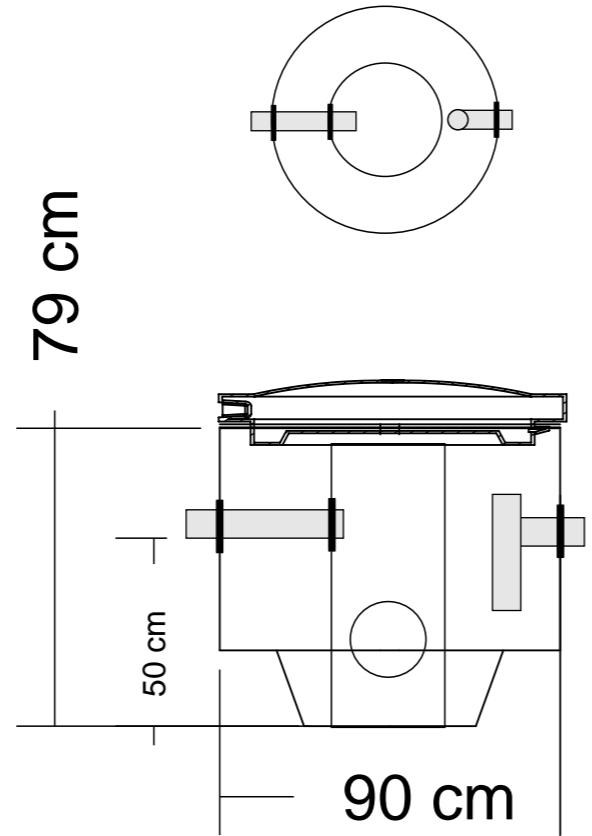
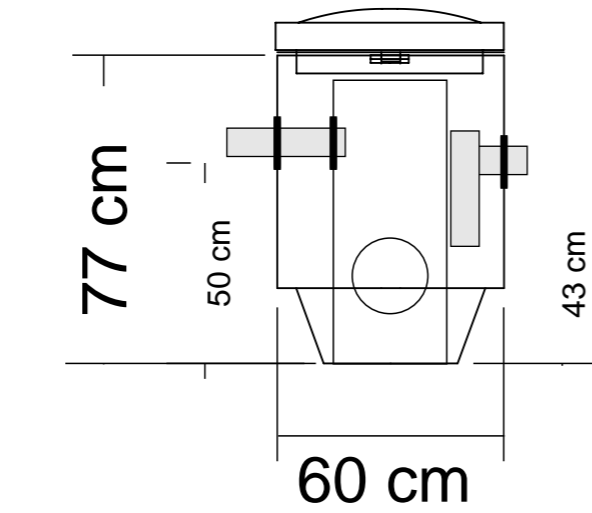
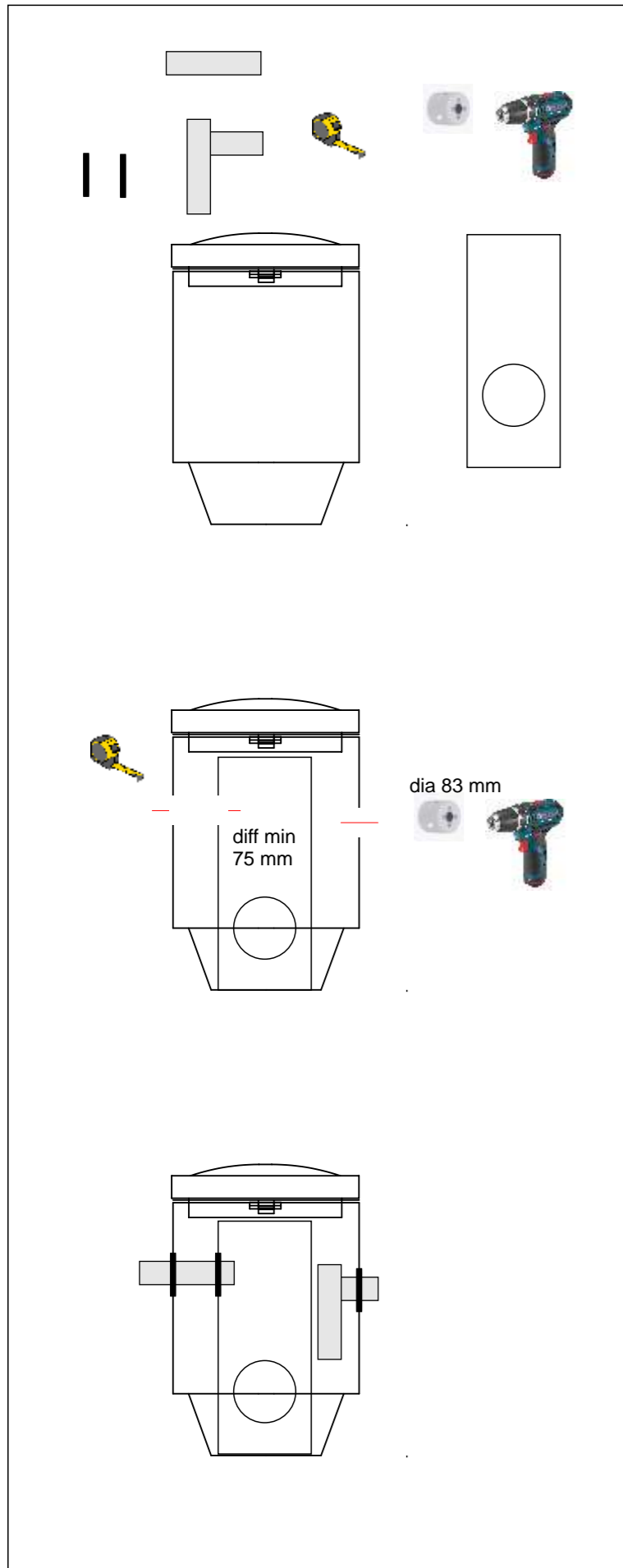
q-max 600 l / 24 h - 75 l / h



		Scale:
	BioBox XL	2019
raitabiobox.fi		

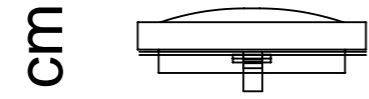
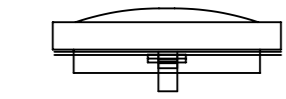
Sk100-2 / Sk250-2 + BioBox XL (+)

q-max 600 l / 24 h - 75 l / h

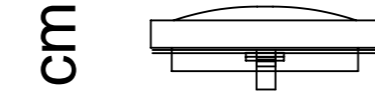
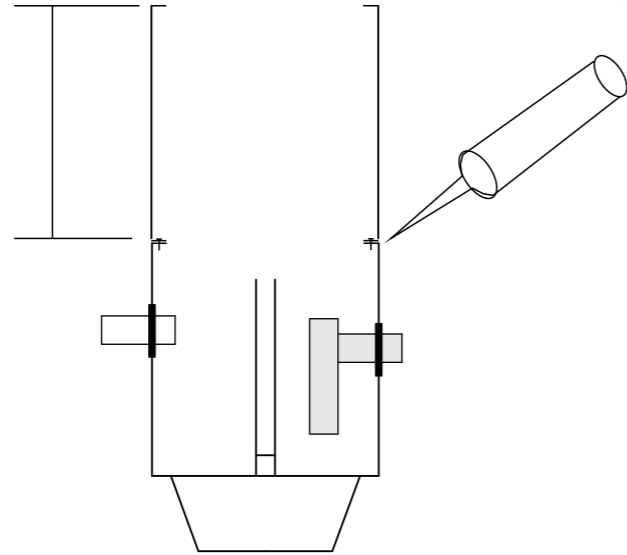
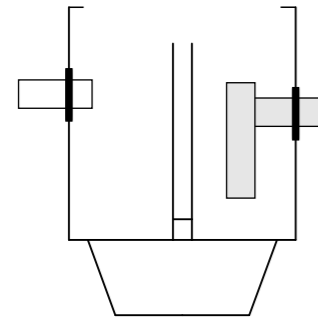


		Scale:
BioBox XL		2019
raitabiobox.fi		

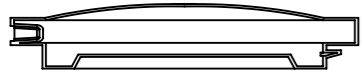
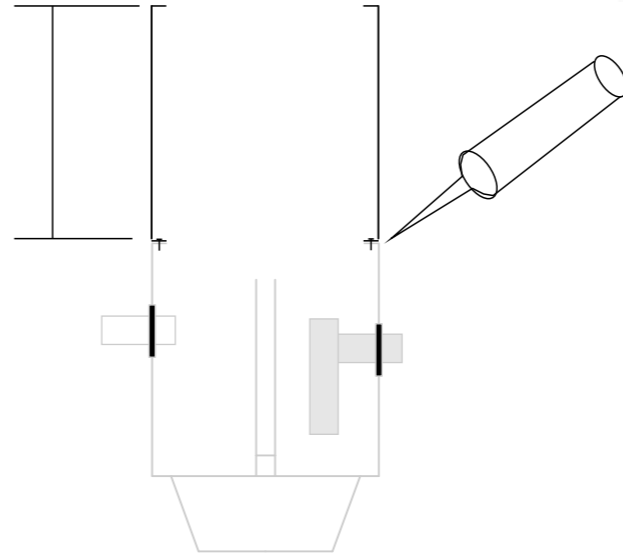
Sk100 + Pakor Sk250 + pakor



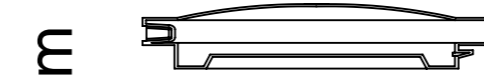
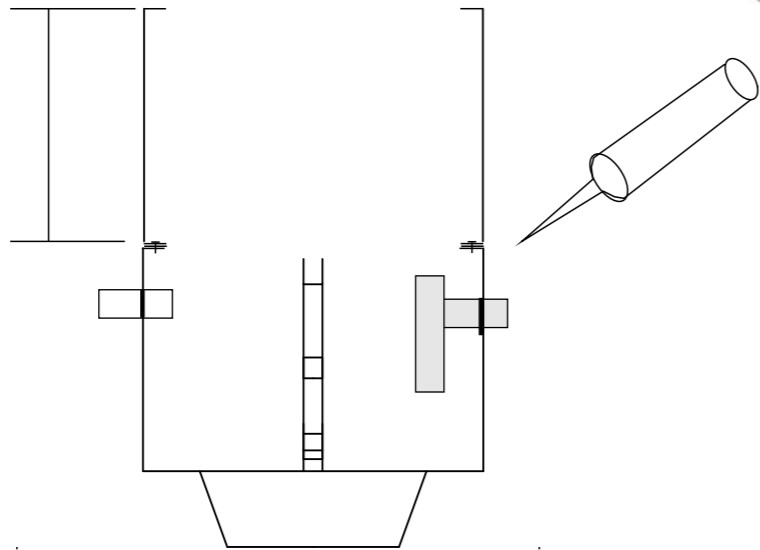
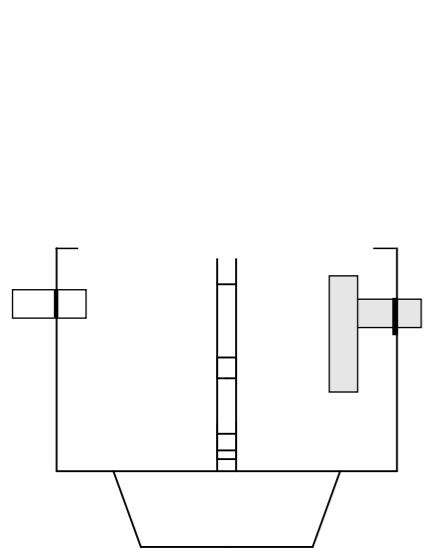
62 cm



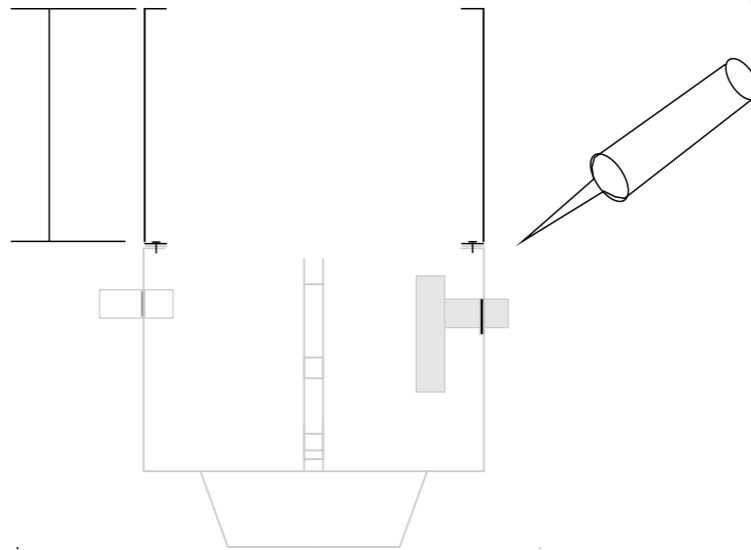
62 cm



62 cm

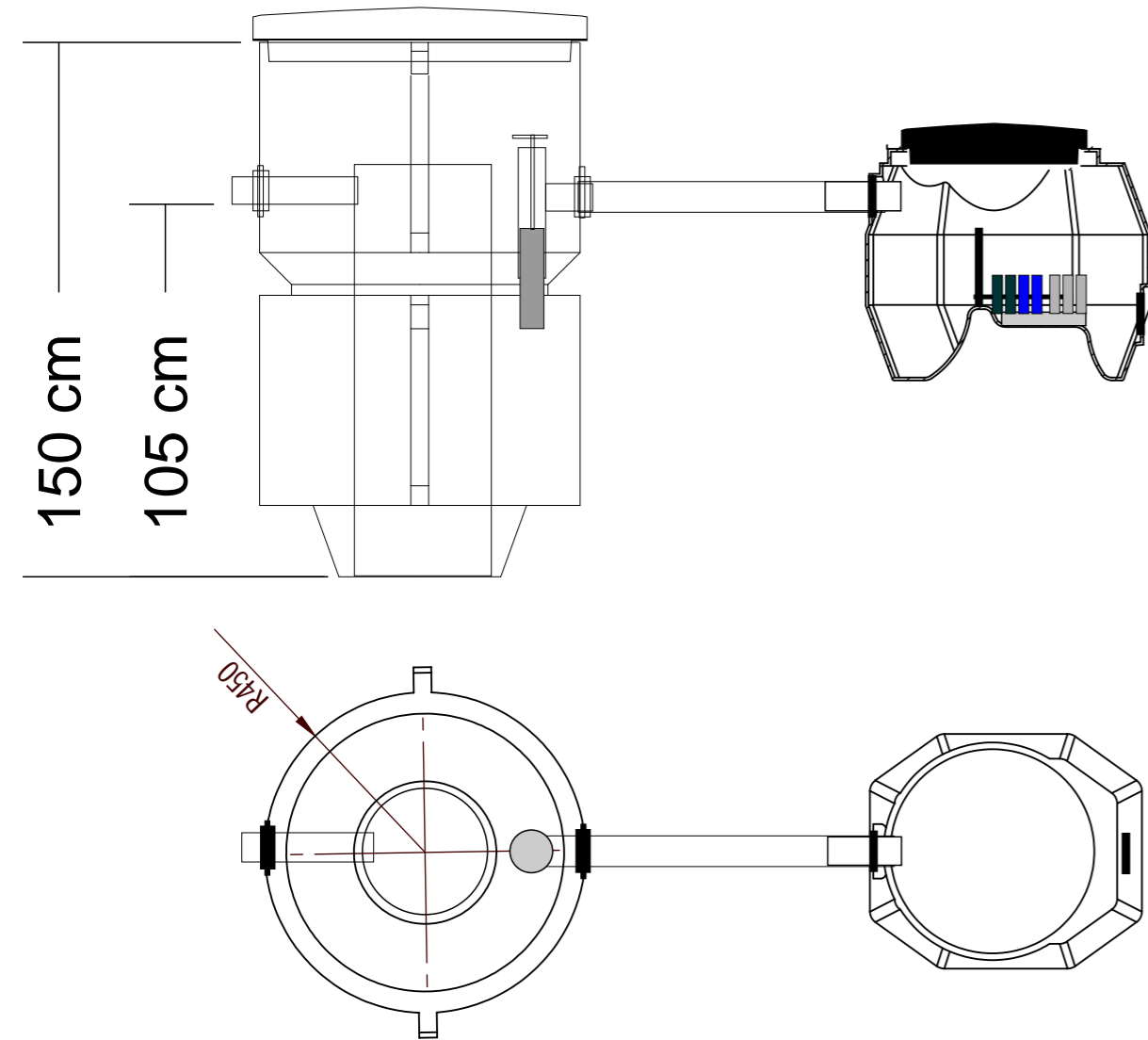


62 cm



Sk600 + BioBox XL(+)

q-max 600 l / 24 h - 125 l / h



Malli, varustetaso, lisävarusteet:

Malli	Kapasiteetti l / 24 h	SK600	Pakor
Bio-Box XL	600	+	+

Modell, utrustningsnivå, tilläggsutrustning::

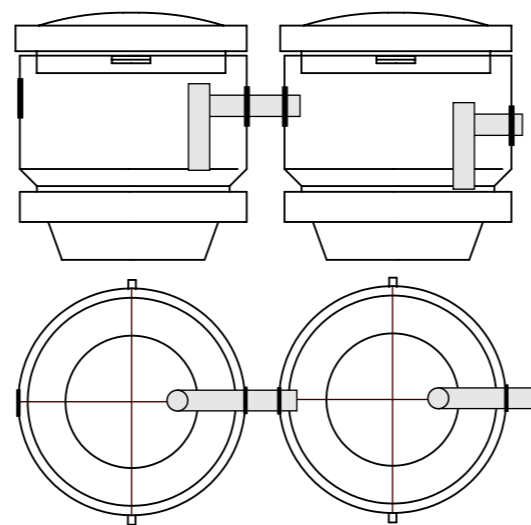
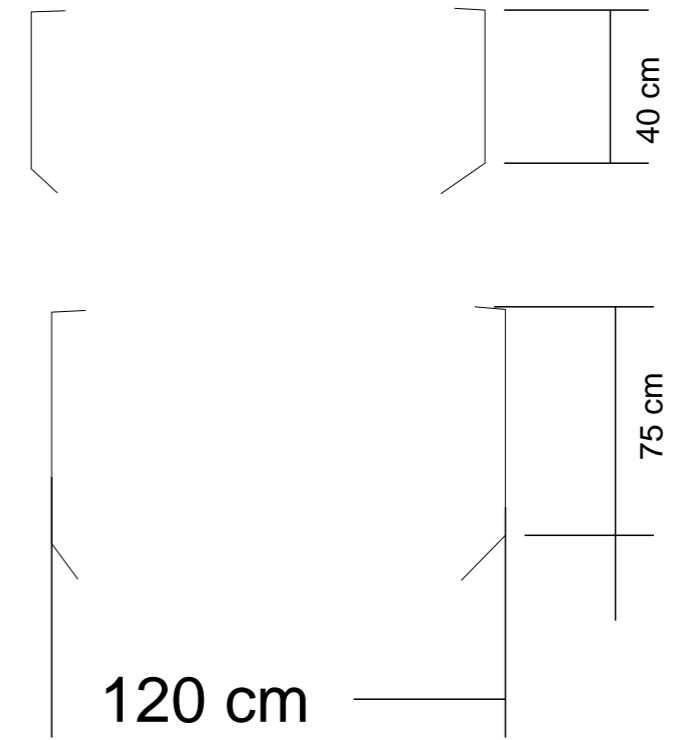
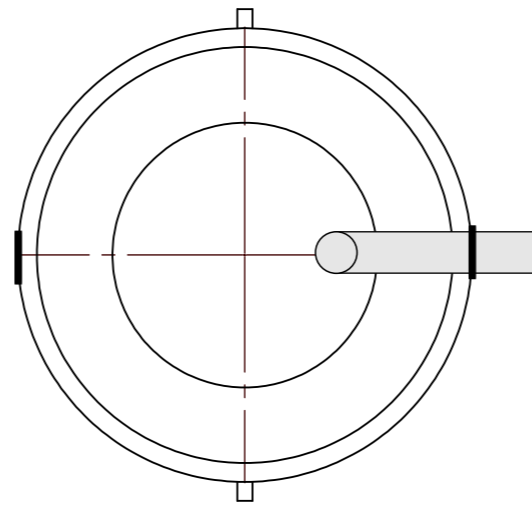
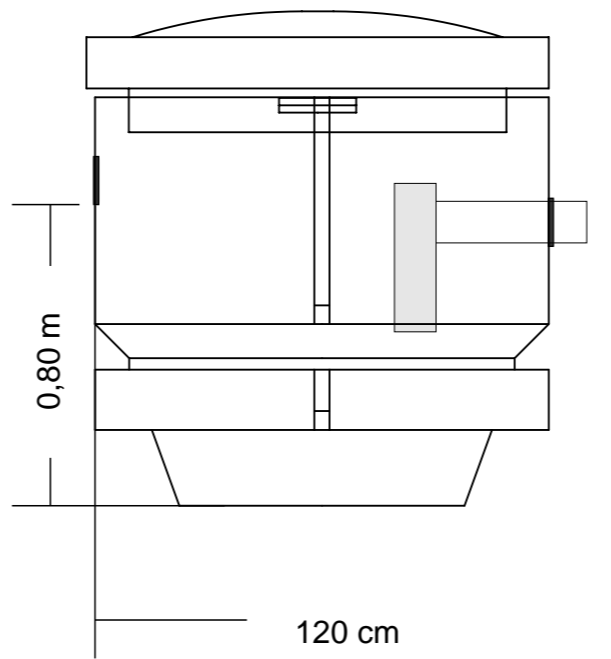
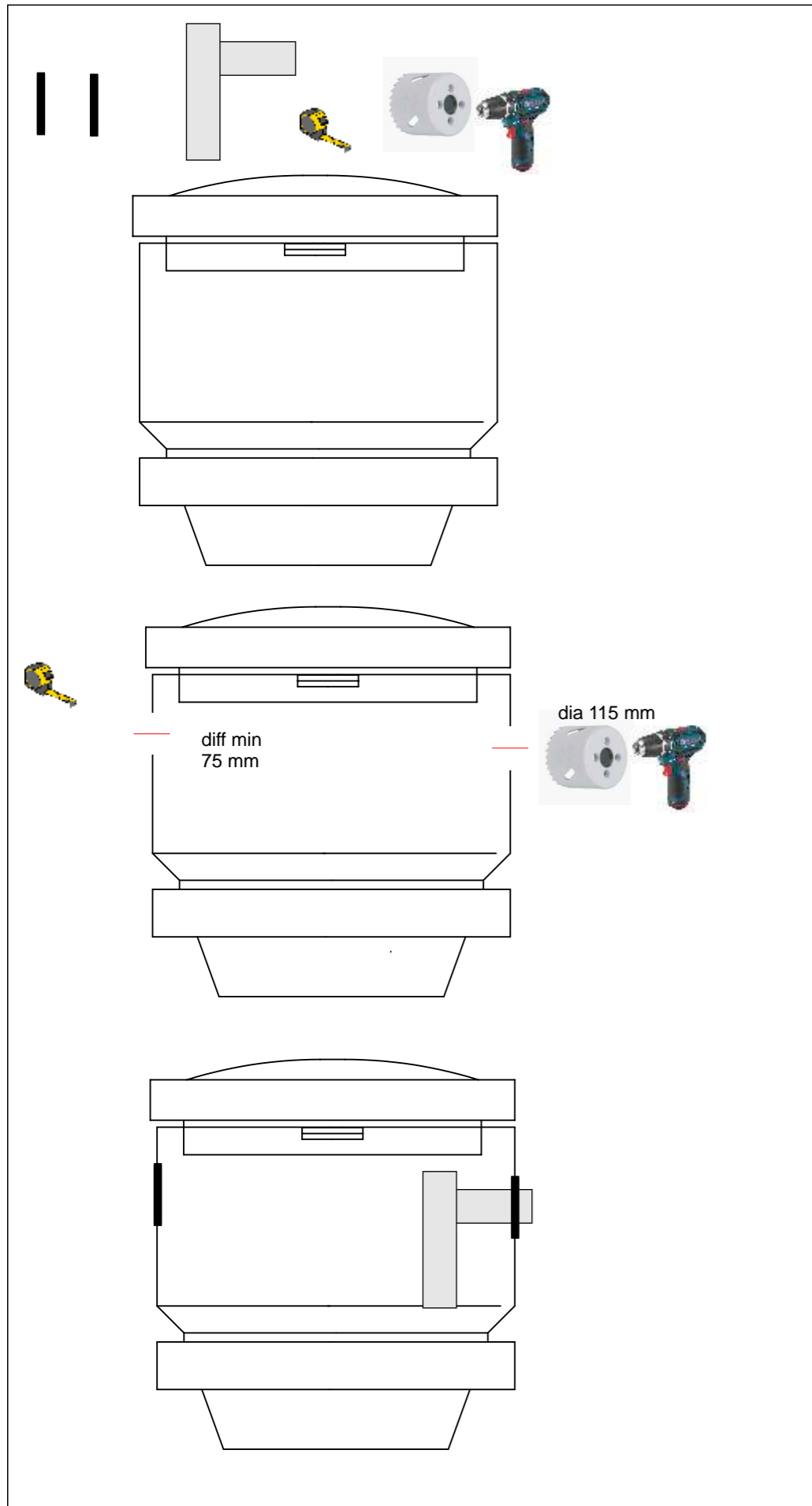
Modell	Kapasitet l / 24 h	SK600	Pakor
Bio-Box XL	600	+	+

Model, equipment level, auxiliary equipment:

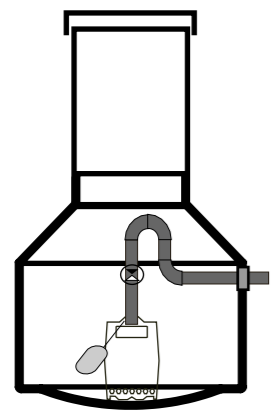
Model	Capacity l / 24 h	SK600	Pakor
Bio-Box XL	600	+	+

		Scale:
	BioBox XL	2019
raitabiobox.fi		

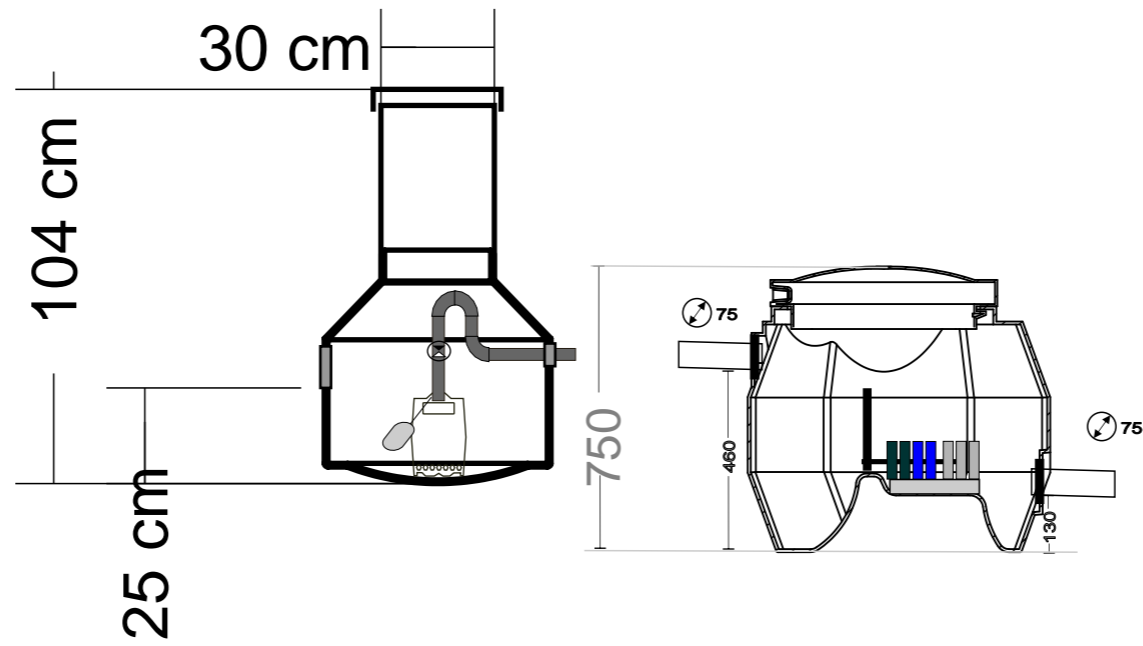
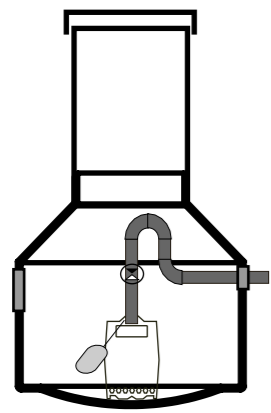
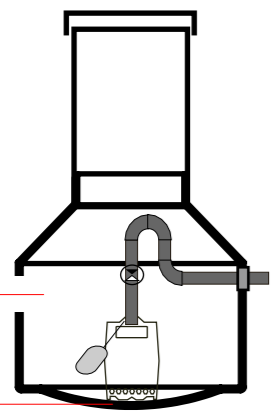
Sk800



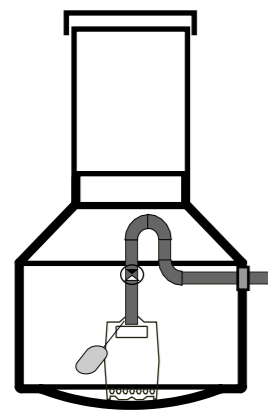
		Scale:
		BioBox XL
		2019
raitabiobox.fi		



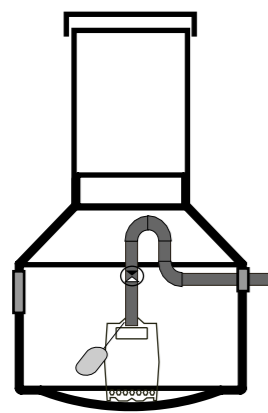
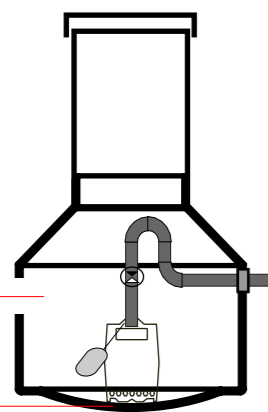
dia 83 mm
diff min
250 mm



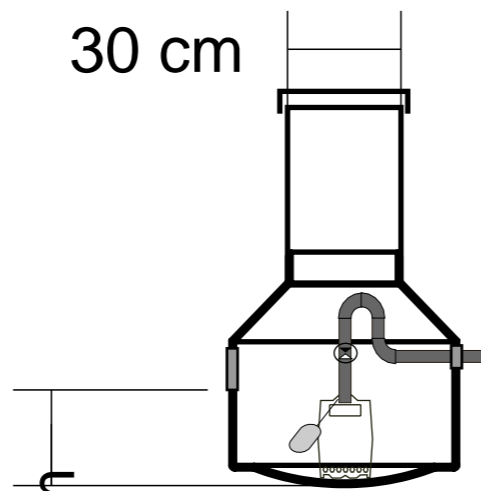
		Scale:
	BioBox XL	2019
raitabiobox.fi		



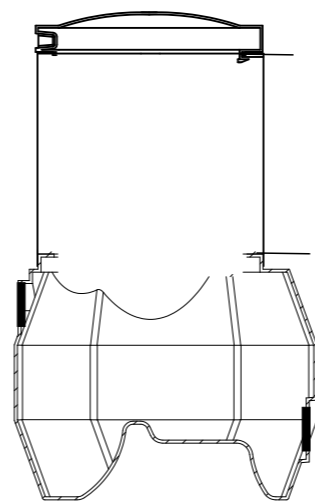
dia 83 mm



30 cm



25 cm



650 + 560

		Scale:
	BioBox XL	2019
raitabiobox.fi		

BioBox XI (+)

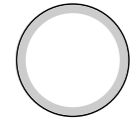
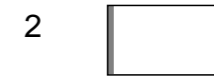
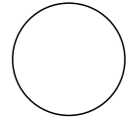
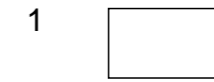
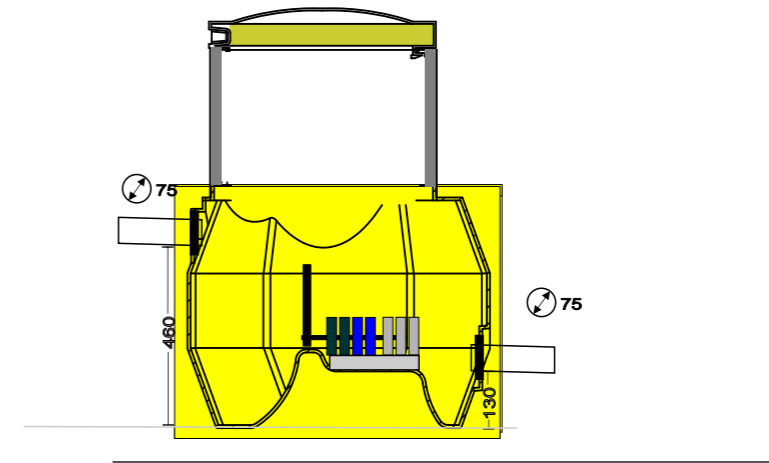
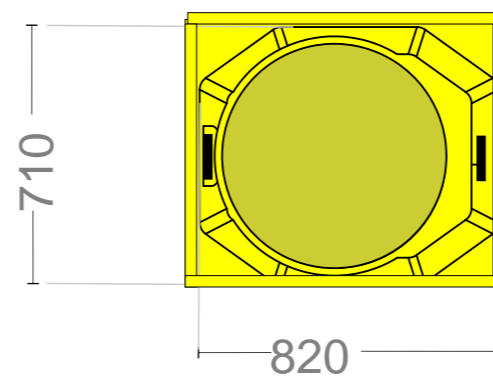
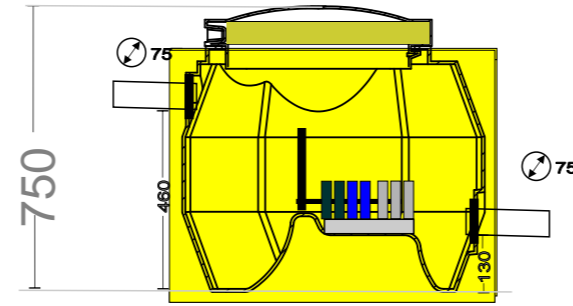
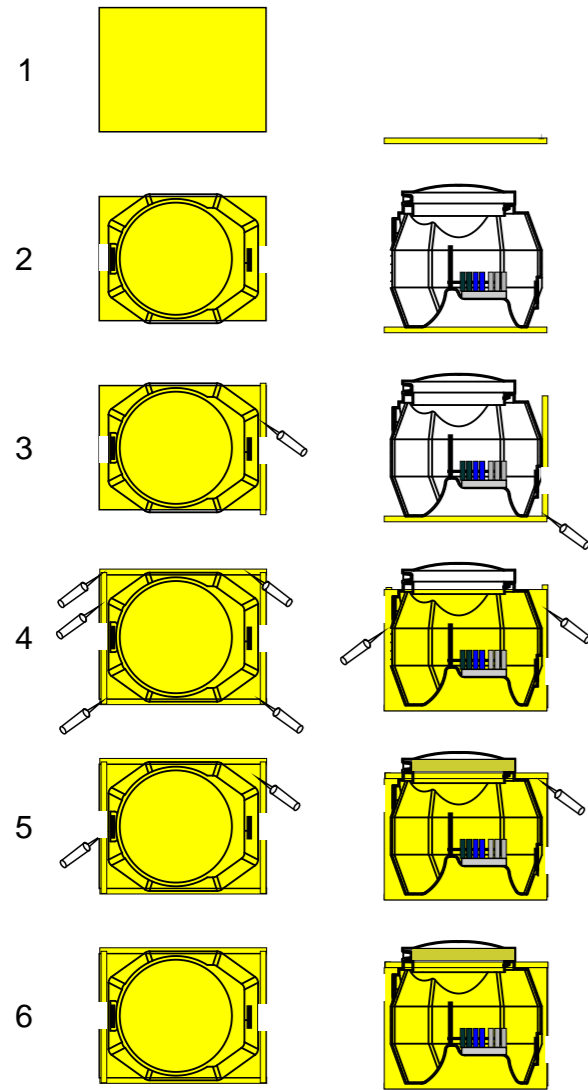
sbio_xl_er1 | pakor 600_er

Eristepaketit- isoleringspaketet -isolationpackages:

- pohja, bottom, botten 920x820 mm - 50 mm (finnfoam)
- päädyt, ends, ändarna 710x600 mm x 2 + D 92 mm - 50 mm (finnfoam)
- seinät, wall, väggarna 920x600 mm x 2 + - 50 mm (finnfoam)
- kansi, cover, lock 920x820 mm - D610 reikä, hole, öppning - 50 mm (finnfoam)
- pyöreä kansi, round cover, rund lock 2x D600 - 15 mm (ppfoam)
- uretan 500 ml

Korotusosa - förhöjning - extension

600: 1x ppfoam 580x1900



		Scale:
	BioBox XL	2019
raitabiobox.fi		

BioBox XL (+)

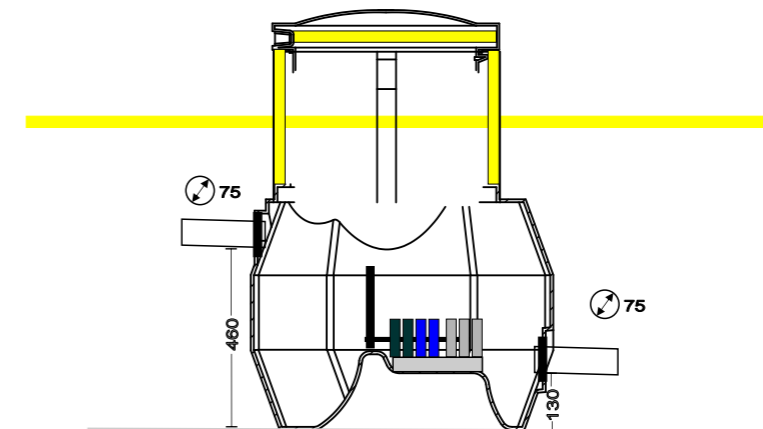
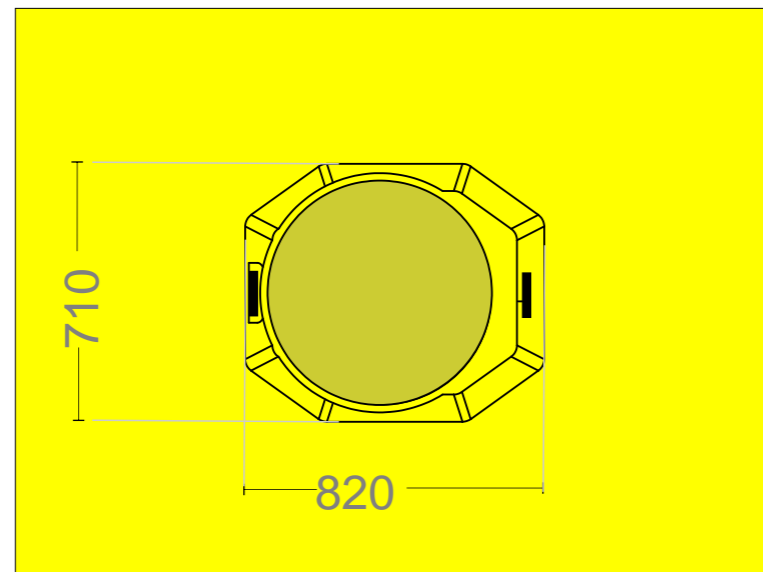
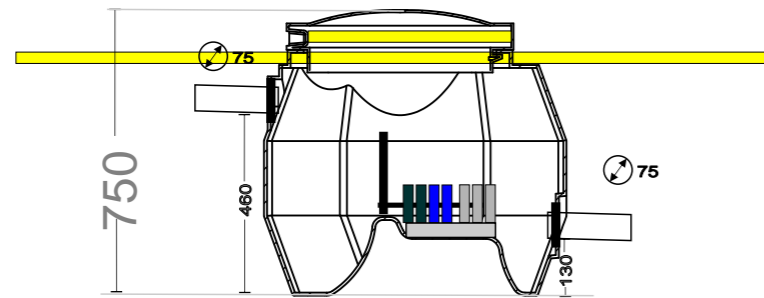
Eristepaketit- isoleringspaketer -isolationpackages:

1x Dia 600 20 mm

1x 2000x1500 (dia600 aukko, öppning, opening)

Korotusosa - förhöjning - extension

600: 1x ppfoam 580x1900



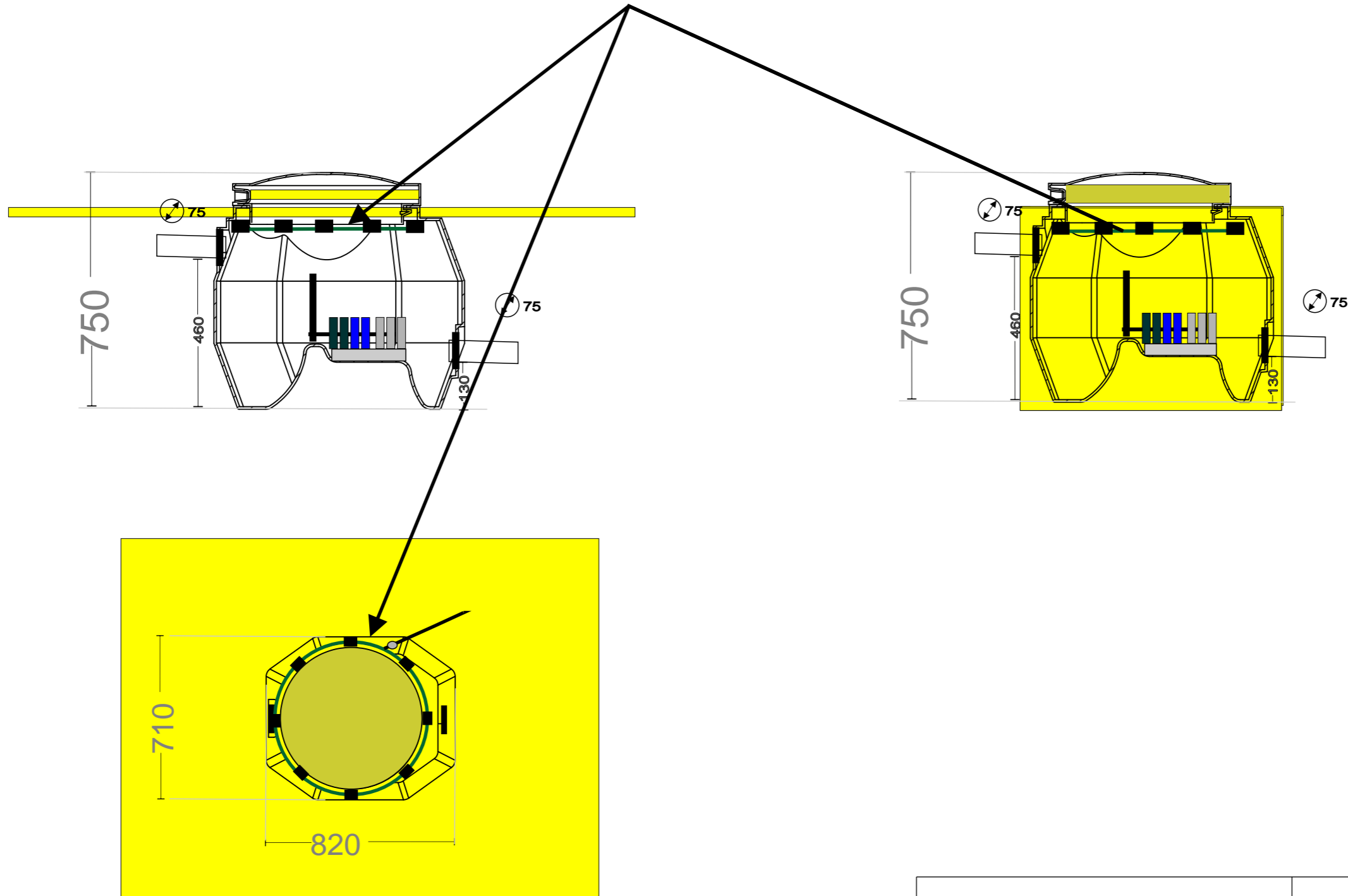
		Scale:
	BioBox XL	2019
raitabiobox.fi		

BioBox XL (+)

sbio_w

Lämmityskaapeli paketti | Heating cable package | Värmekabelpaket:

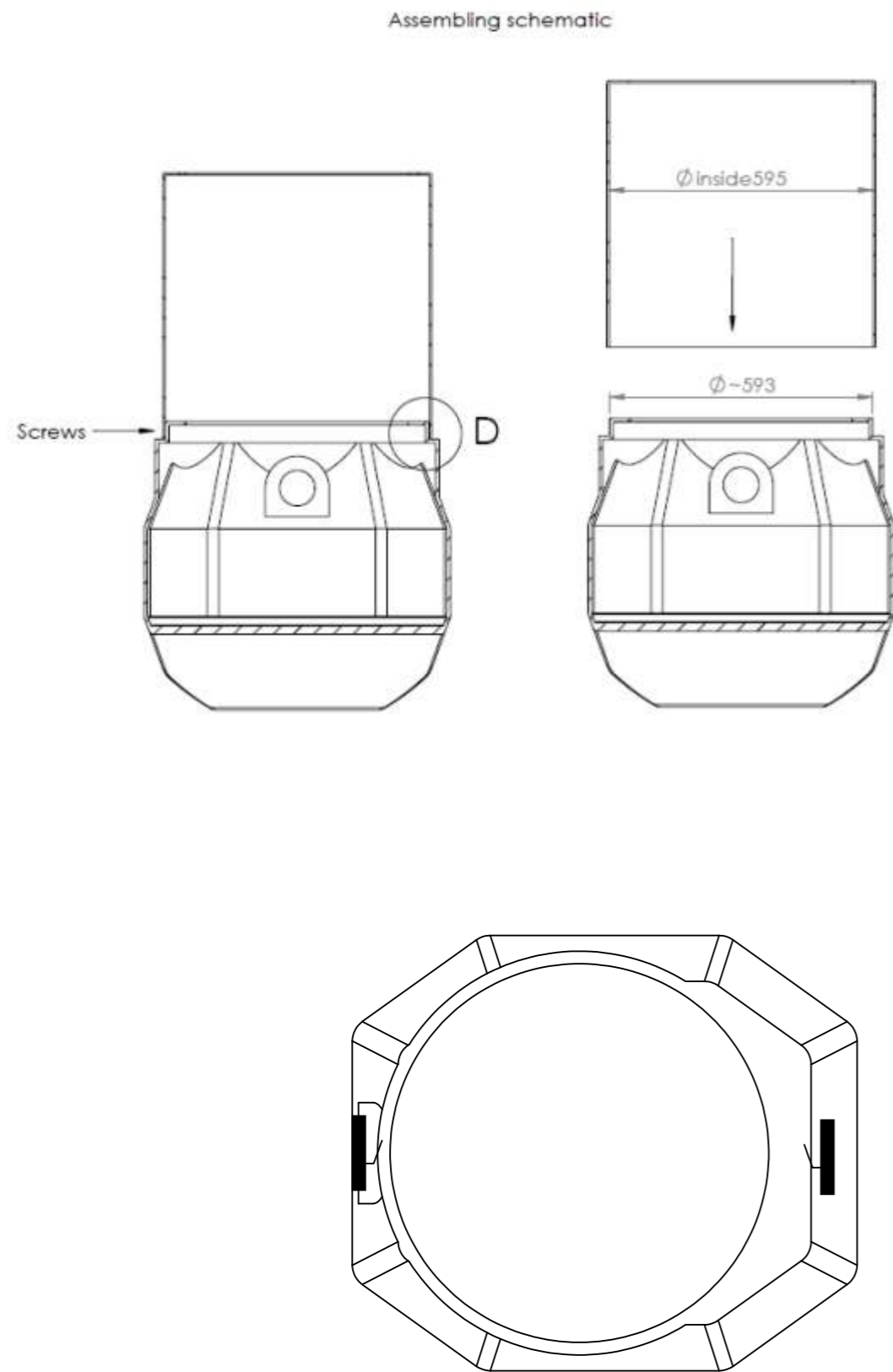
2m + 2m -40 °C.....+65 °C 230 V AC 50 Hz 16A – 10 W/m | clips10 pcs | cable seal 1 pcs



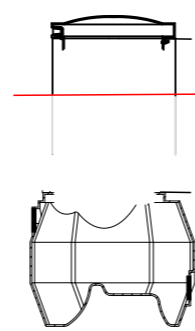
2m + 2m -40 °C.....+65 °C 230 V AC 50 Hz 16A – 10 W/m | clips10 pcs | cable seal 1 pcs

		Scale:
	BioBox XL	2019
raitabiobox.fi		

BioBox XL (+) pakor



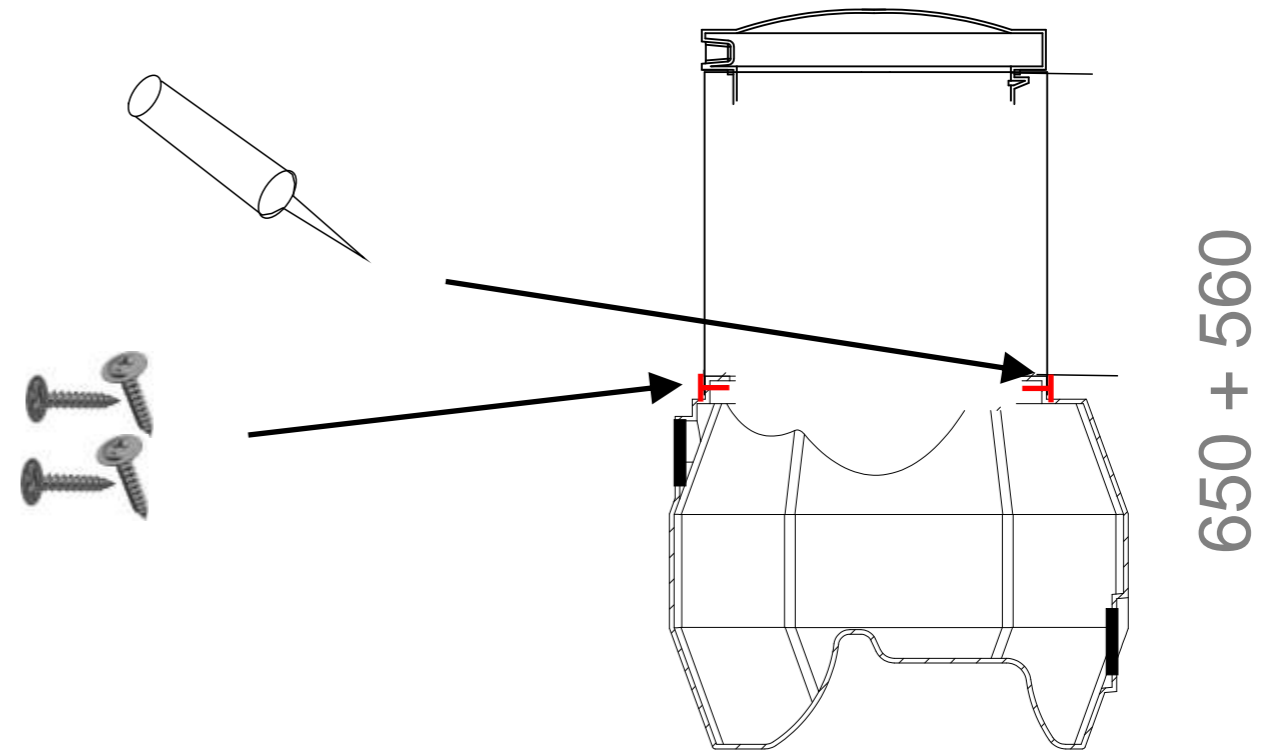
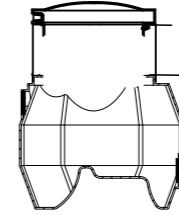
1)



2)



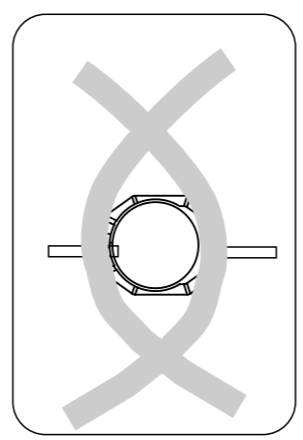
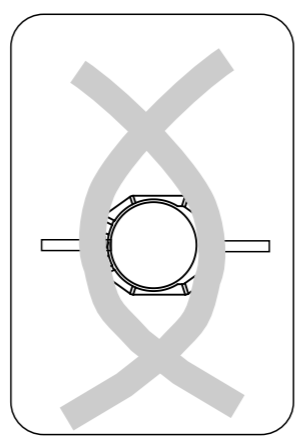
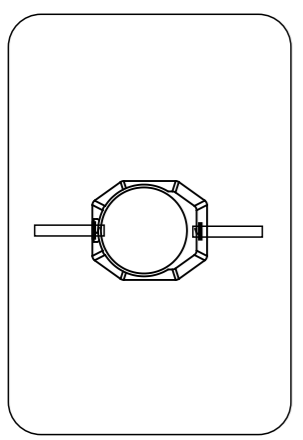
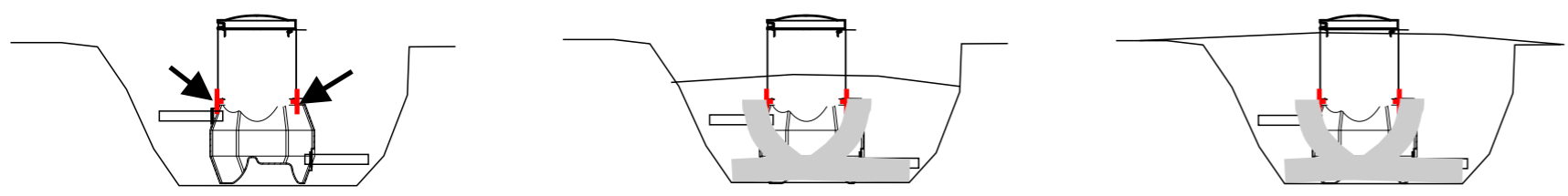
3)



		Scale:
	BioBox XL	2019
raitabiobox.fi		

BioBox XL (+) ankkurointi

ankkurointikankaat
 ankringstyg
 anchoring textiles
 2 x 25cmx3000 cm



		Scale:
	BioBox XL	2019
raitabiobox.fi		

BioBox XL (+) pakor - asennuskaivo

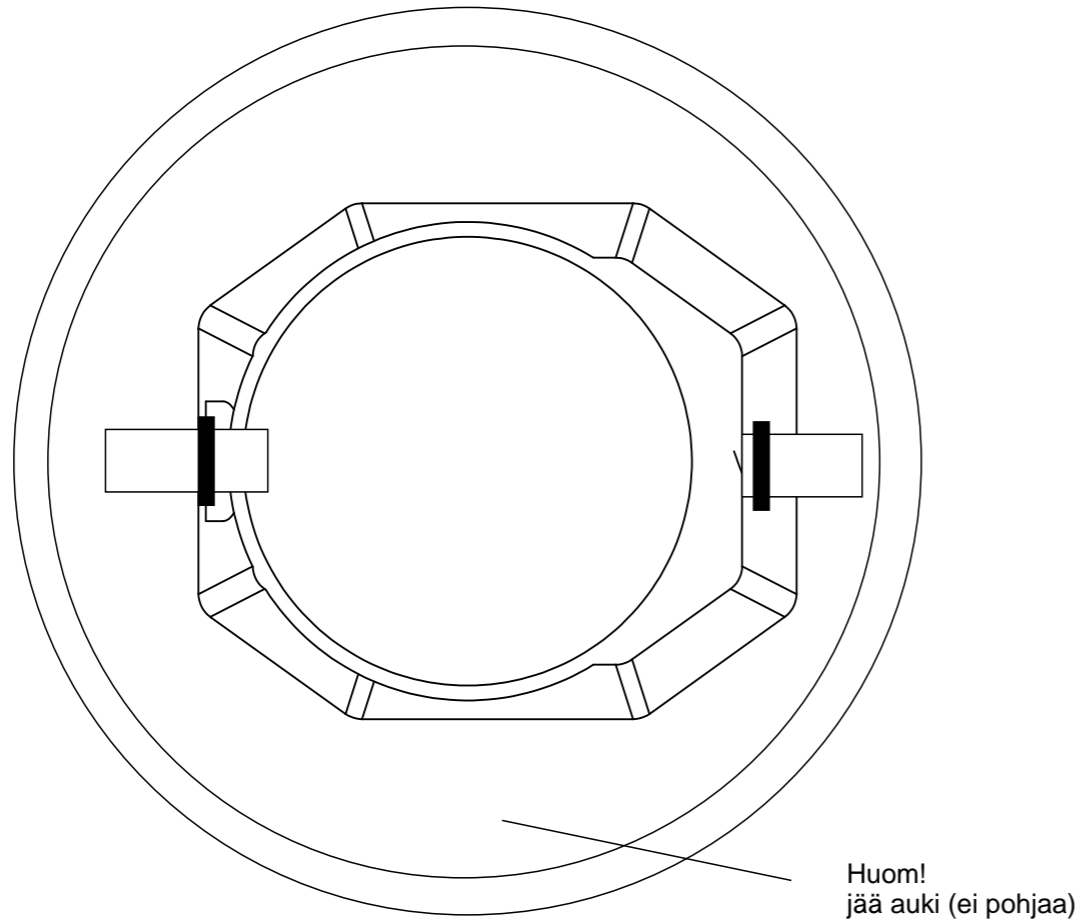
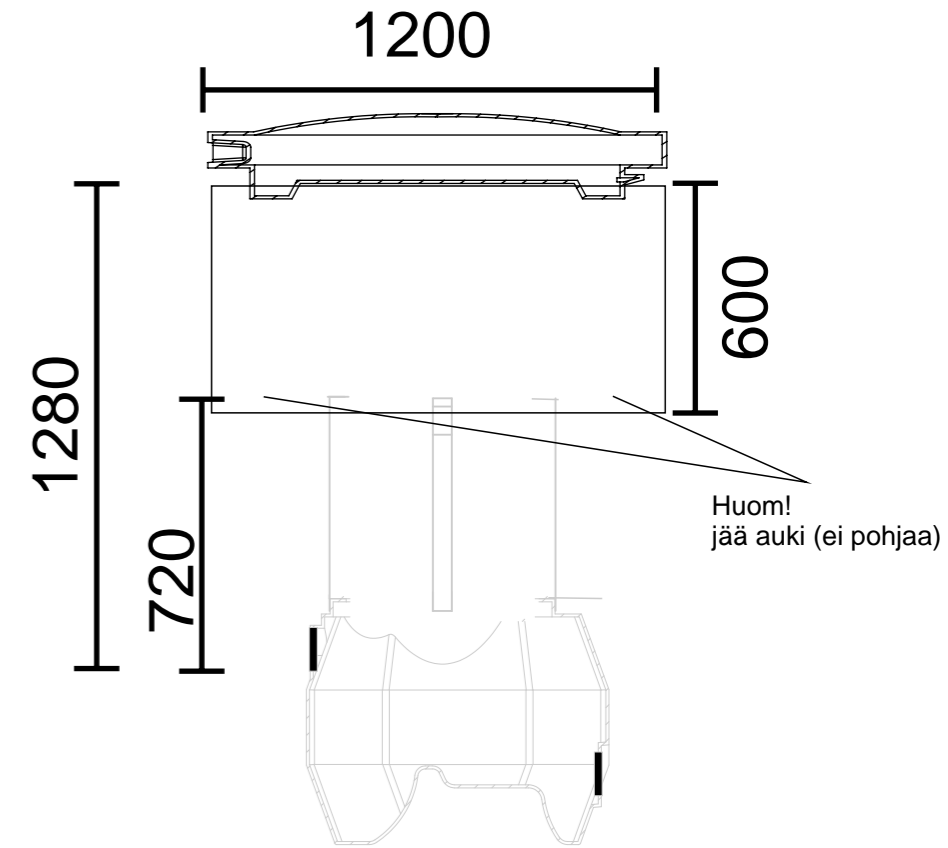
q-max 600 l / 24 h - 75 l / h



Kansi 1200

Pakor 1200

Pakor 600

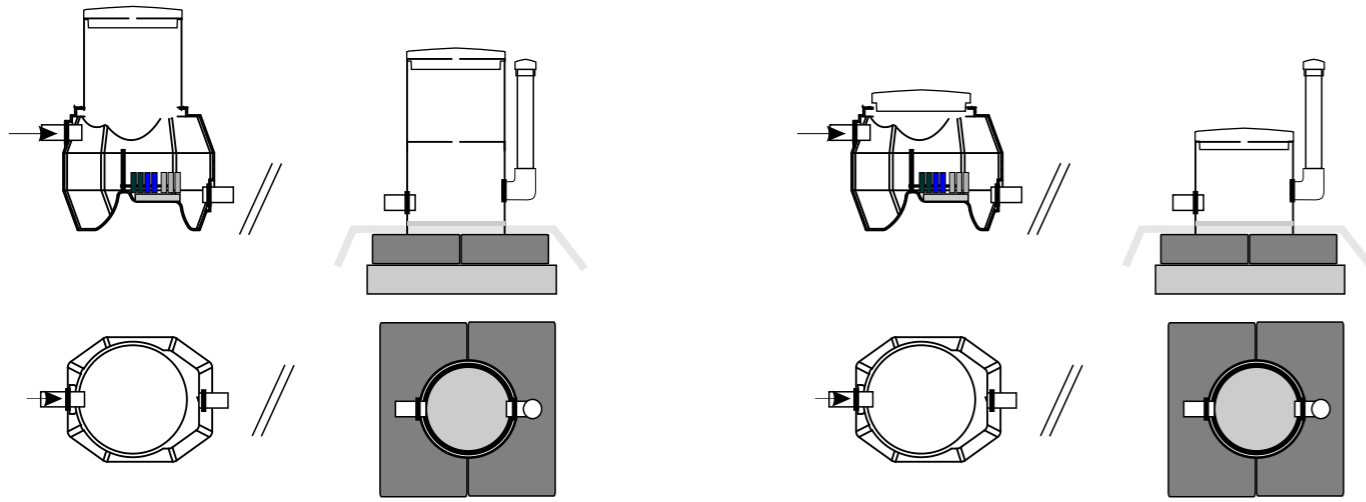


		Scale:
	BioBox XL	2019
raitabiobox.fi		

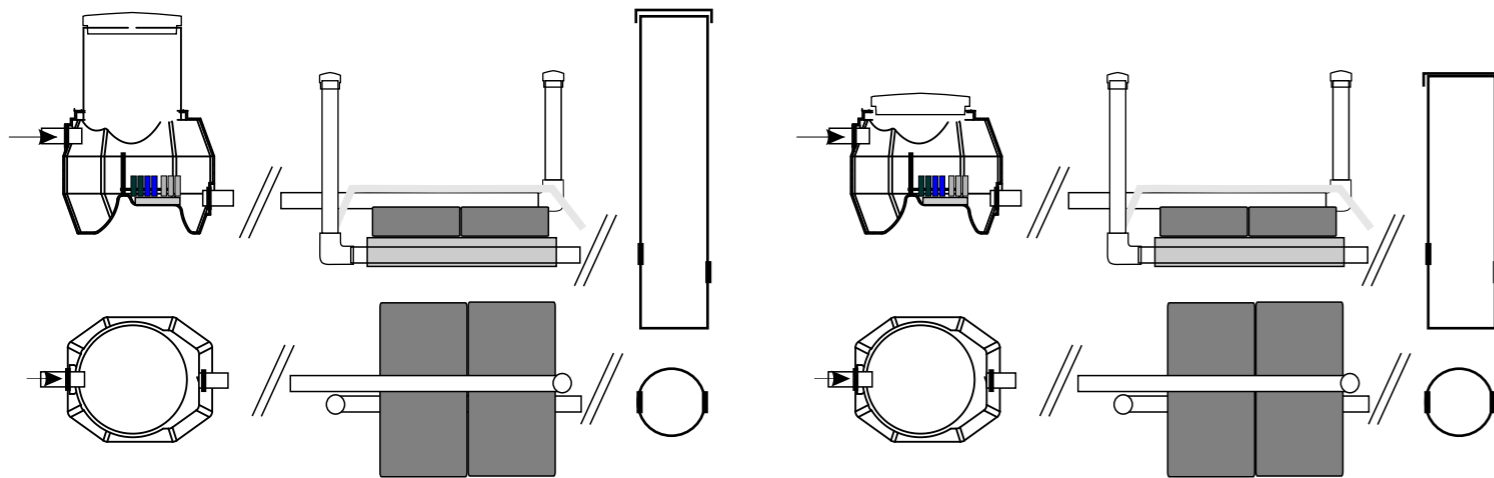
BioBox XI (+) BM (x 2/4)

q-max XL 600 l / 24 h (125 l / h - 200 l/h)

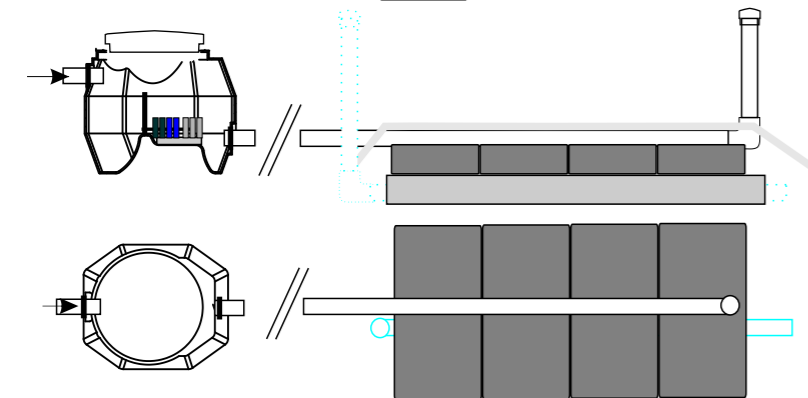
q-max XL+ 750 l / 24 h (175 l / h - 250 l/h)



Imeytys, infiltration



Suodatus, markbädd, biomodul /sand filter



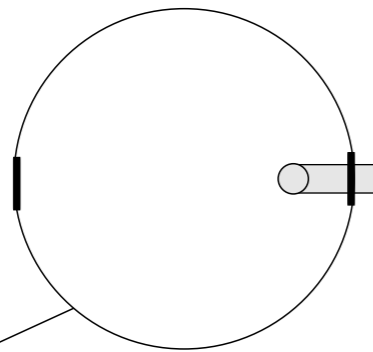
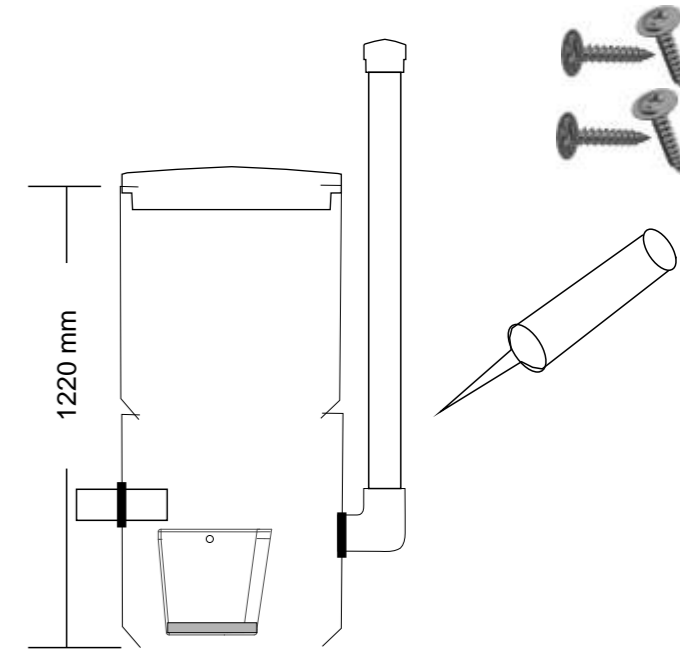
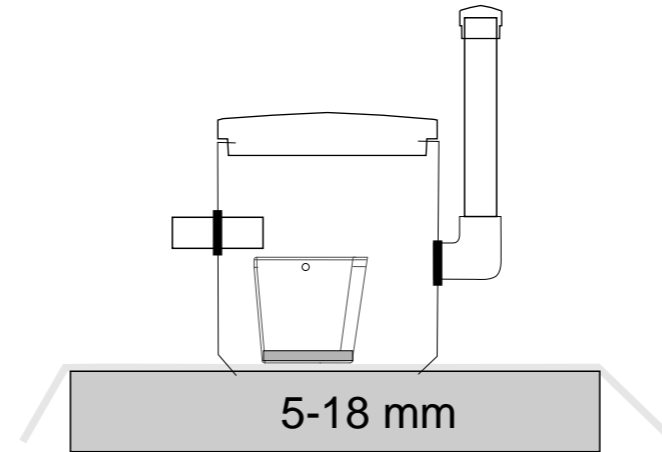
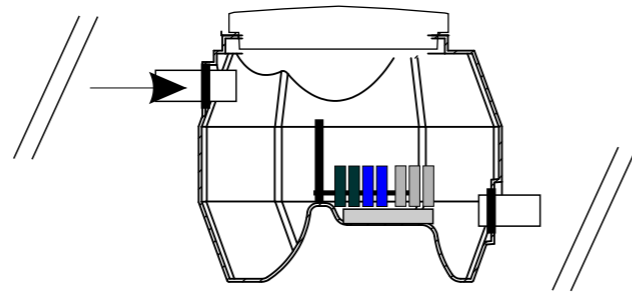
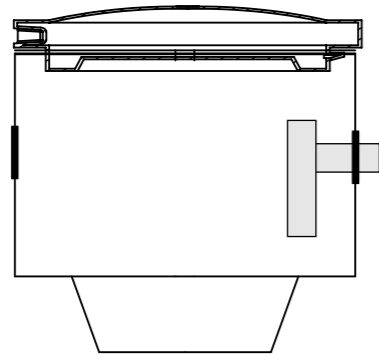
		Scale:
	BioBox XL	2019
raitabiobox.fi		

BioBox XI (+) KK 600

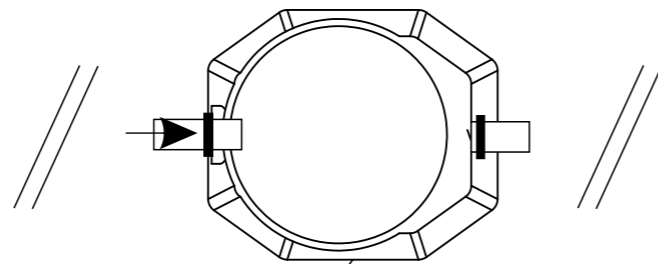
q-max XL 600 l / 24 h (75 l / h)

q-max XL+ 750 l / 24 h (125 l / h)

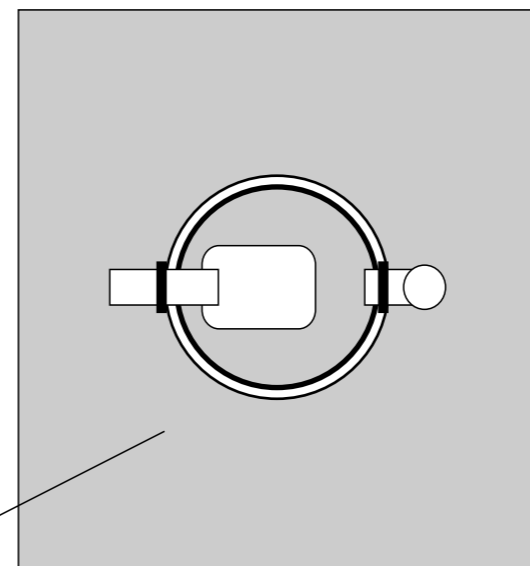
Maahanimeytys (kivipesä), Soil infiltration



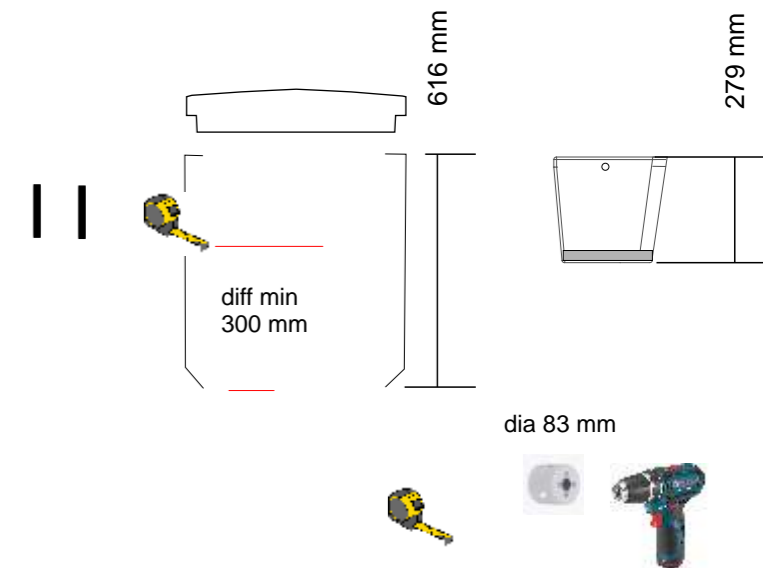
SK250



BioBox XL (+)



KK 600



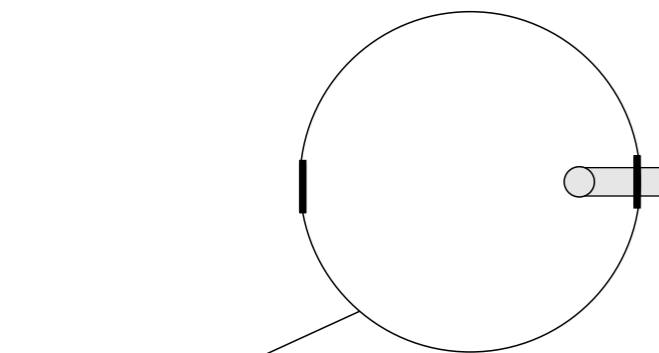
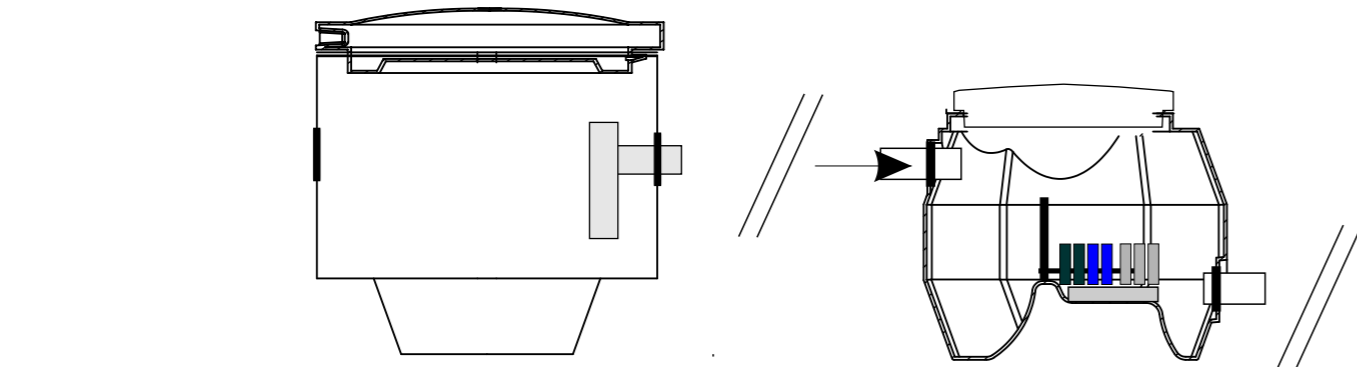
		Scale:
	BioBox XL	2019
raitabiobox.fi		

BioBox XI (+) i2 -KK600

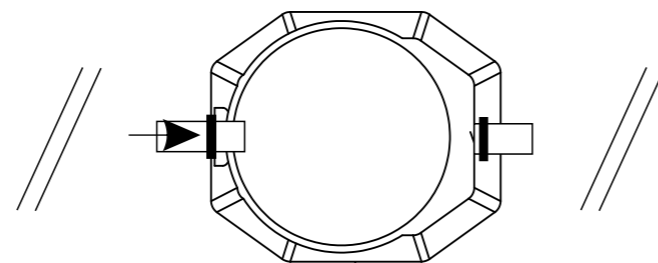
q-max XL 600 l / 24 h (125 l / h)

q-max XL+ 750 l / 24 h (175 l / h)

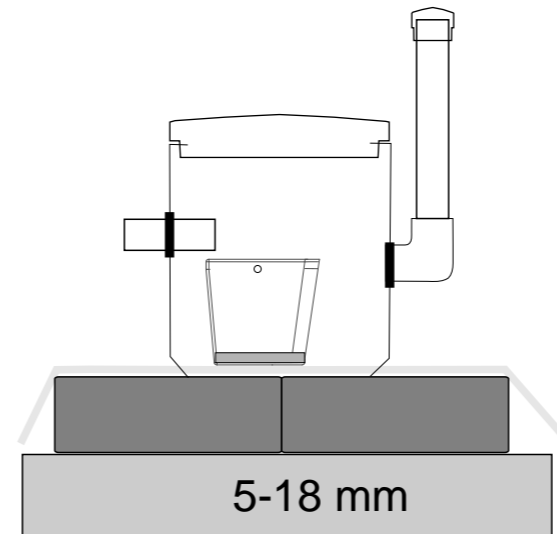
BioModuuli imeytys, BioModule infiltration



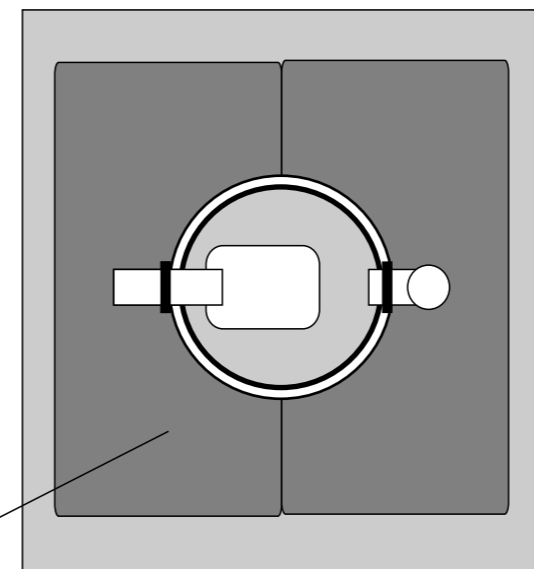
SK250



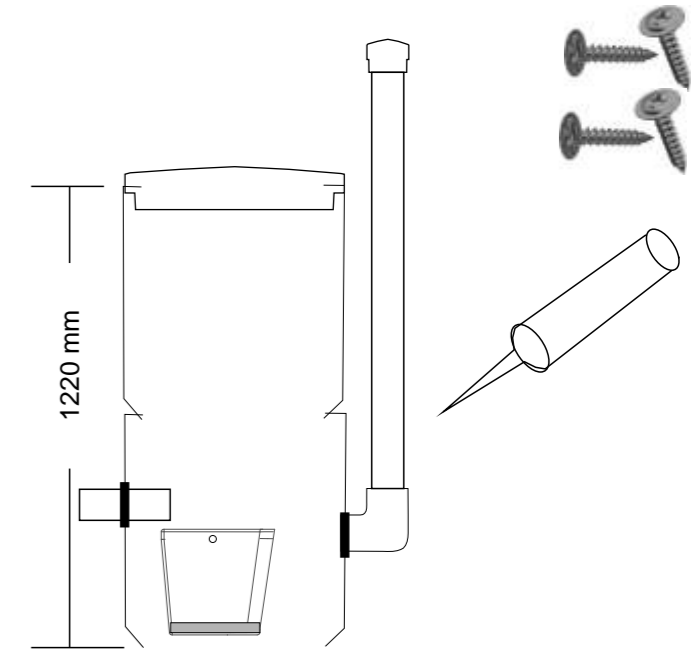
BioBox XL (+)



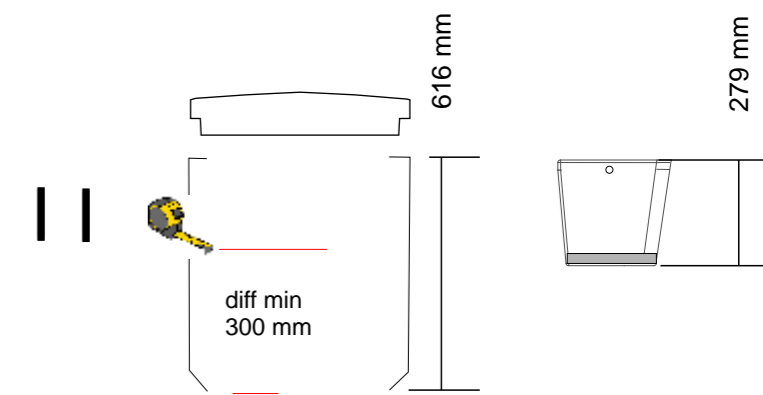
5-18 mm



i2 -KK 600



1220 mm



616 mm

279 mm

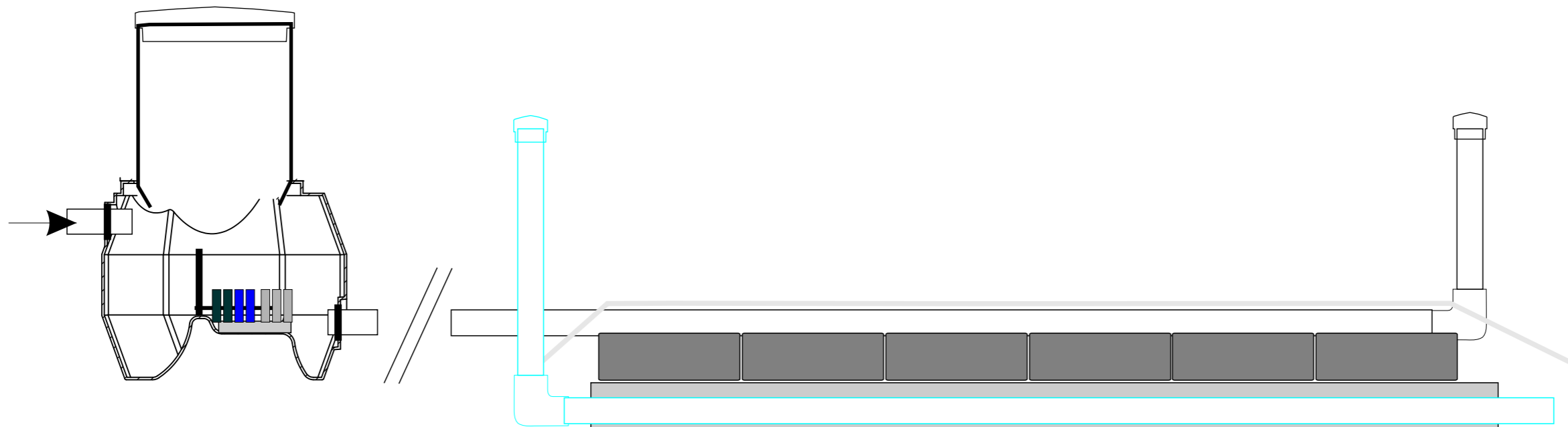
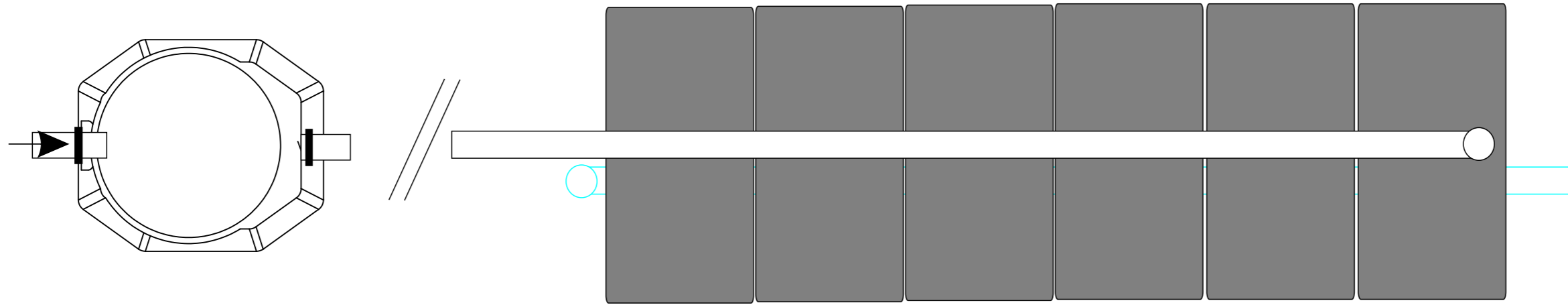
diff min 300 mm

dia 83 mm

		Scale:
	BioBox XL	2019
raitabiobox.fi		

BioBox XI (+) BM (x 2/4/6)

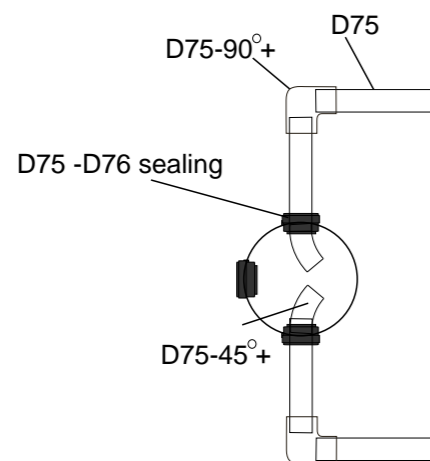
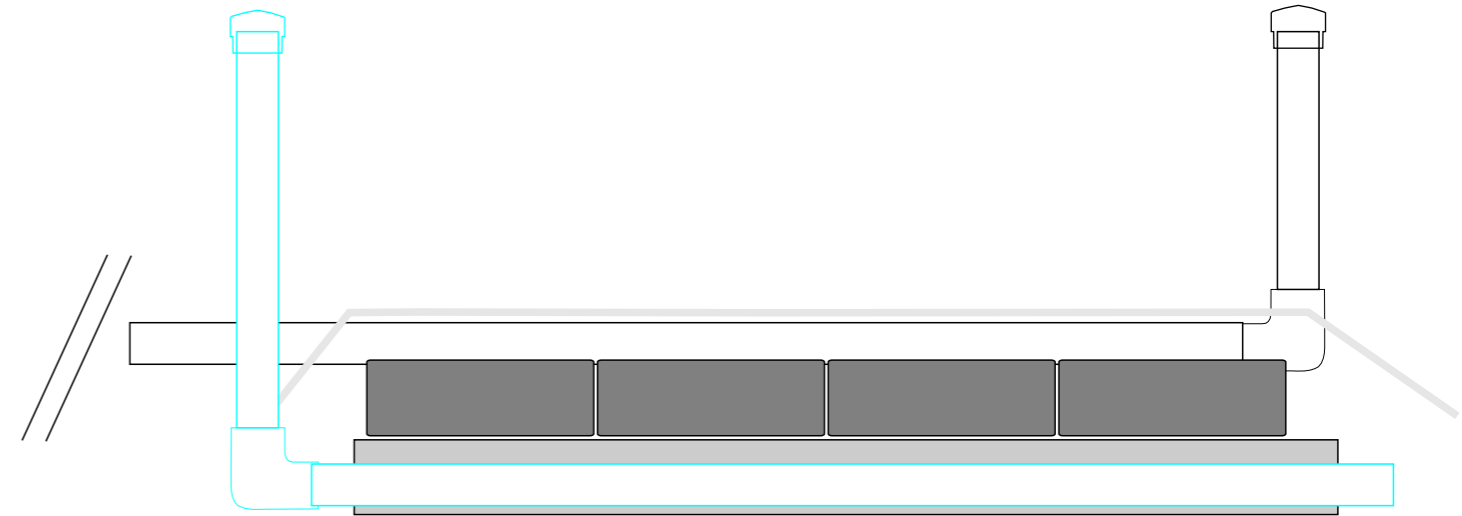
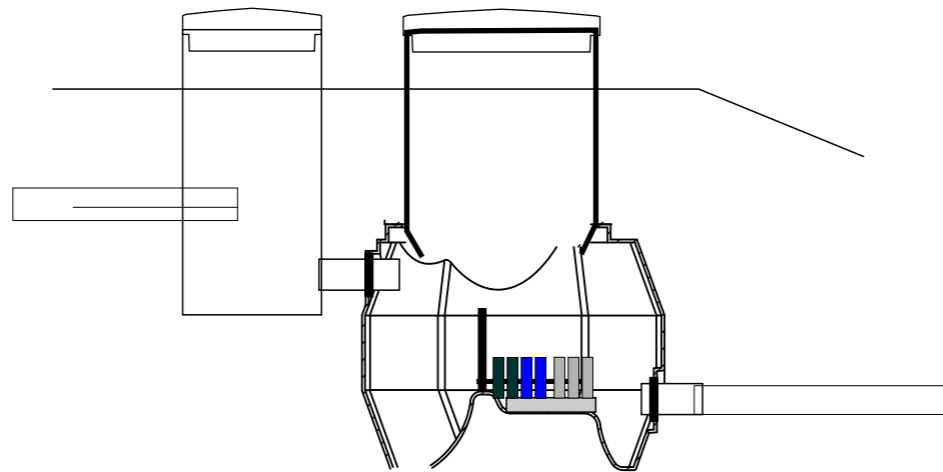
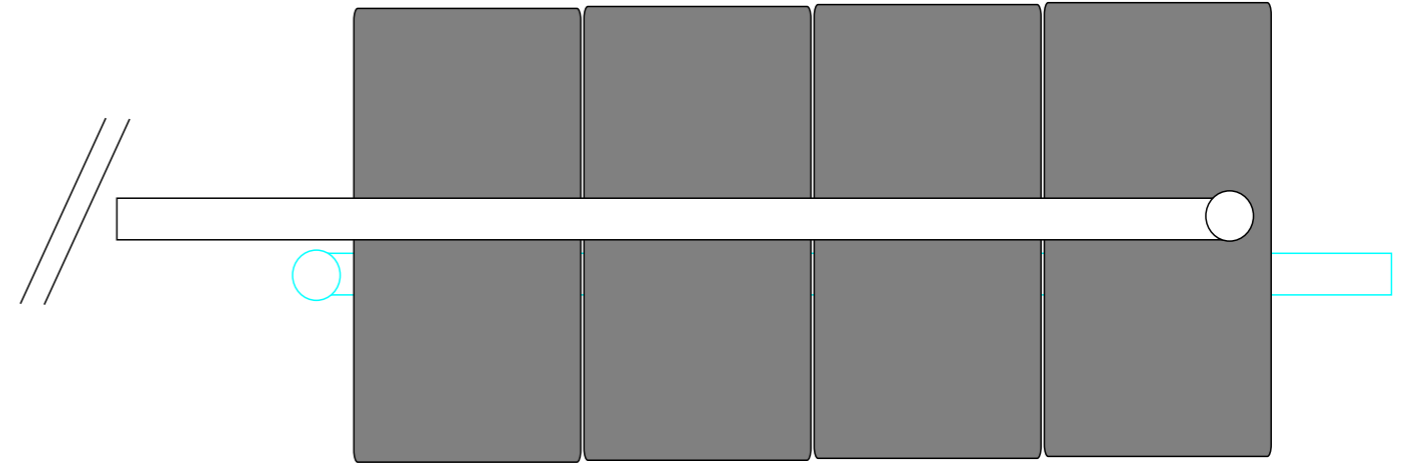
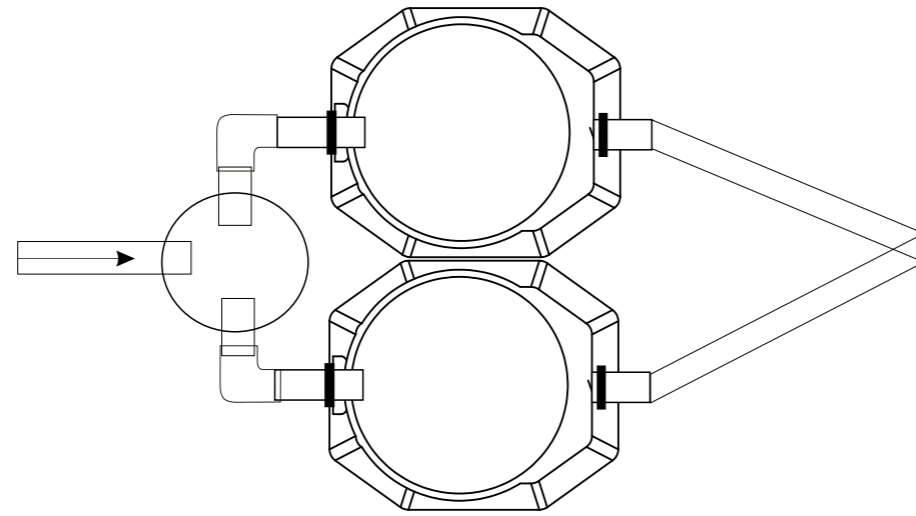
q-max 600 l / 24 h (125 l / h - 200 l/h - 300 l / h)



		Scale:
	BioBox XL	2019
raitabiobox.fi		

Jk300 1/2 + BioBox XL (+) pakor

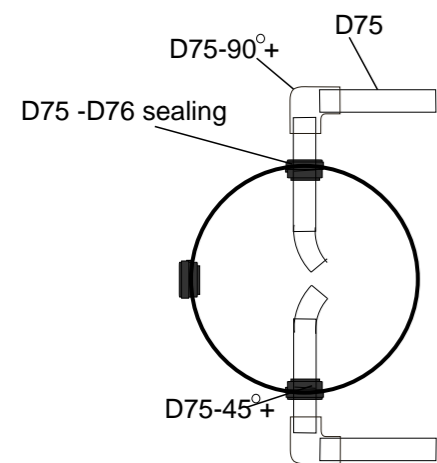
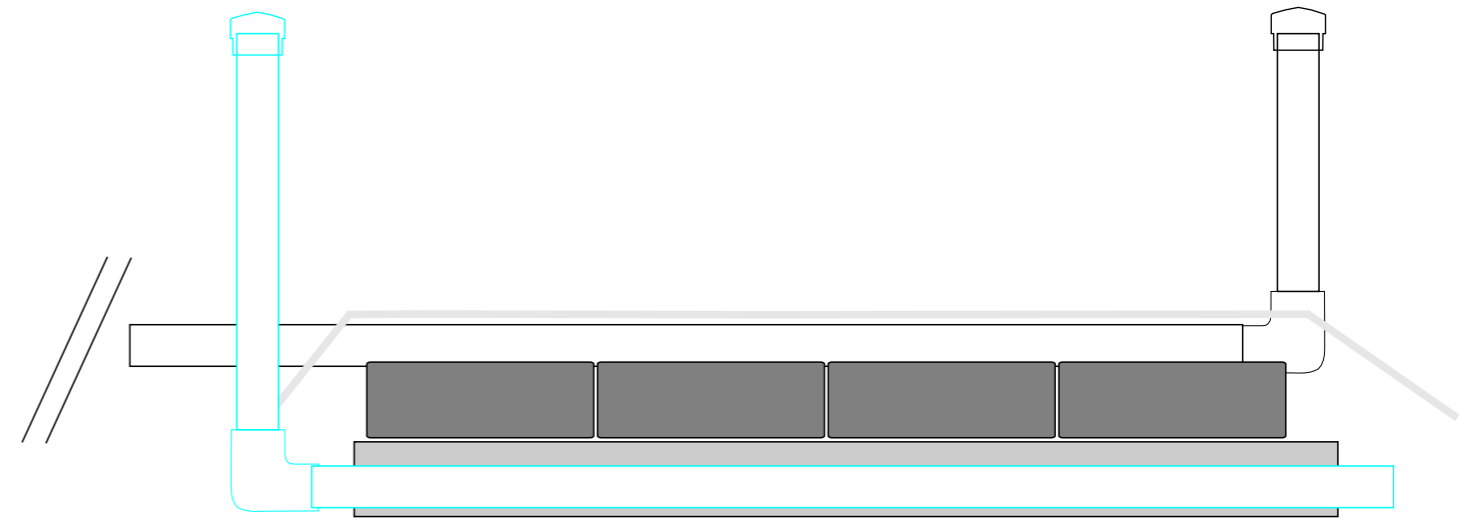
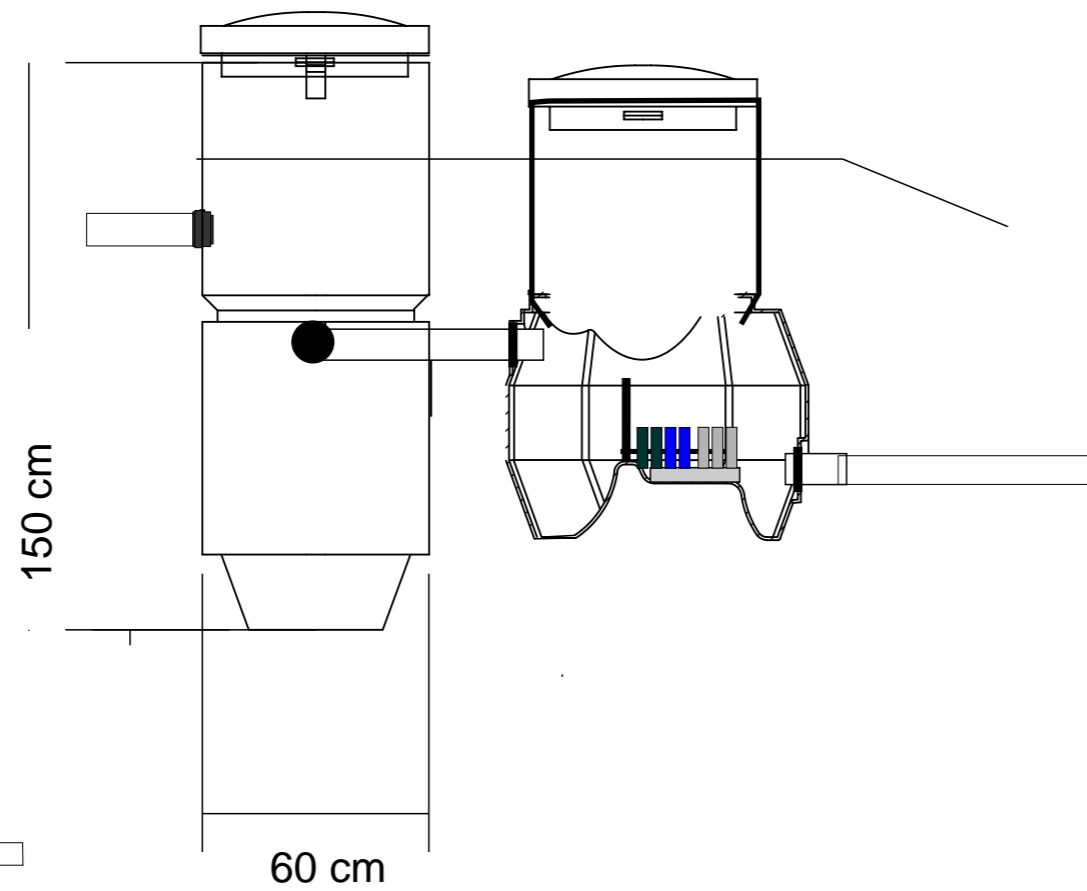
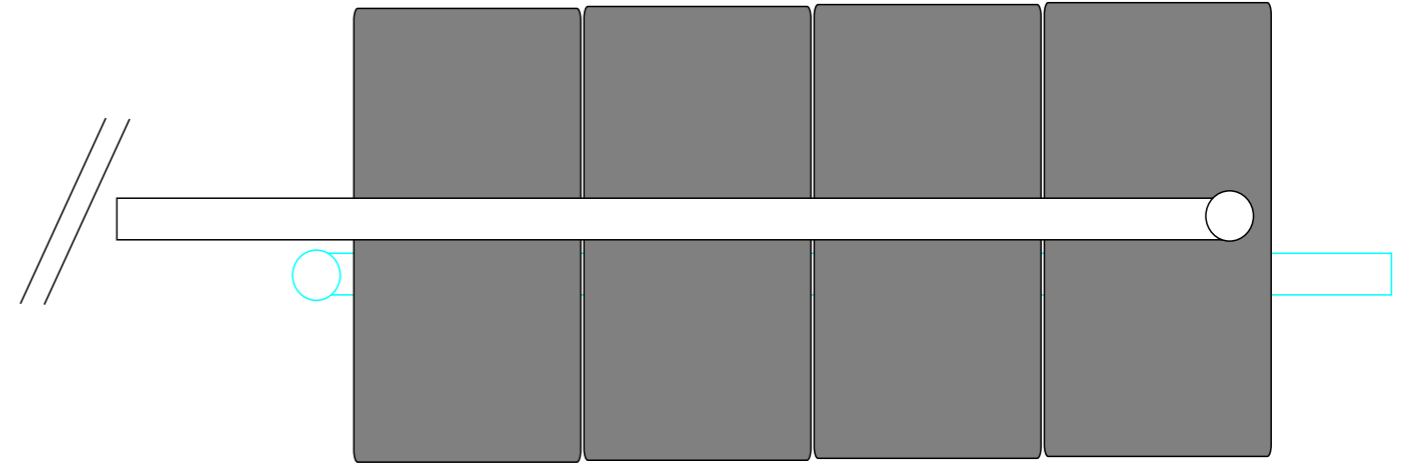
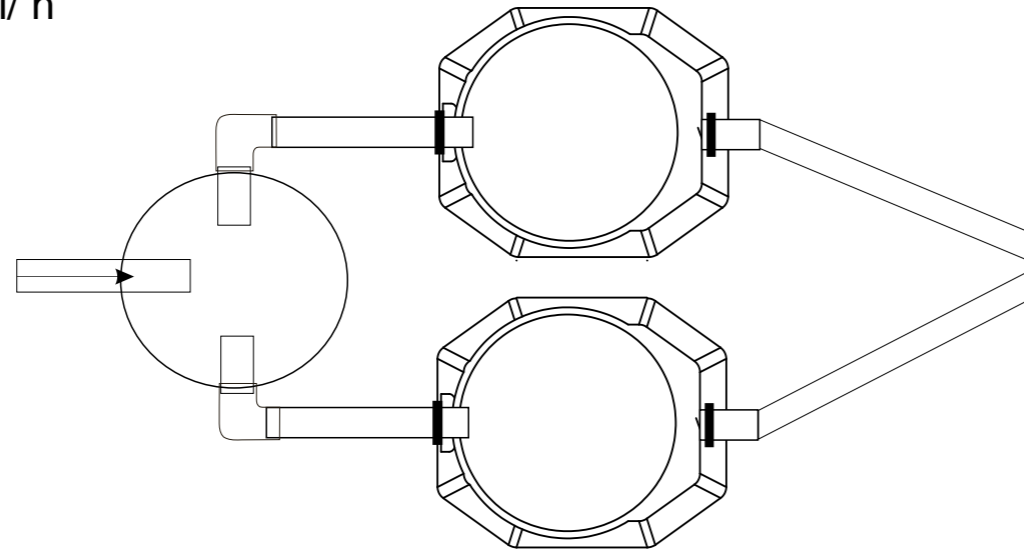
q-max 1200 l / 24 h - 250 l / h



		Scale:
	BioBox XL	2019
raitabiobox.fi		

Jk600 1/2 + BioBox XL (+) pakor

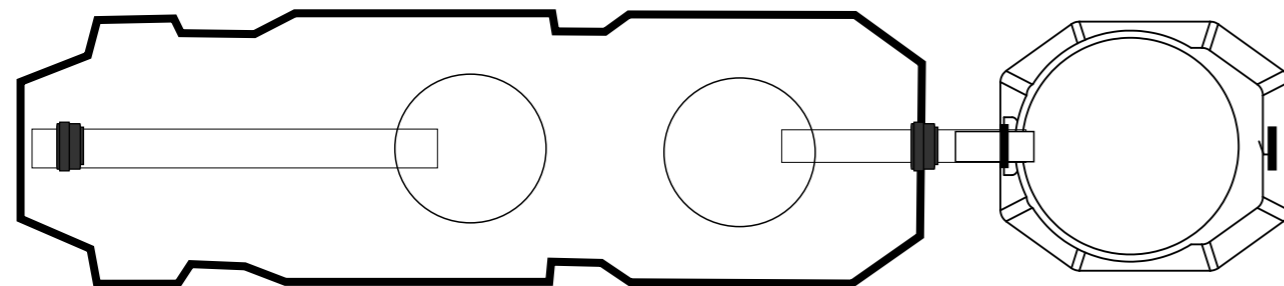
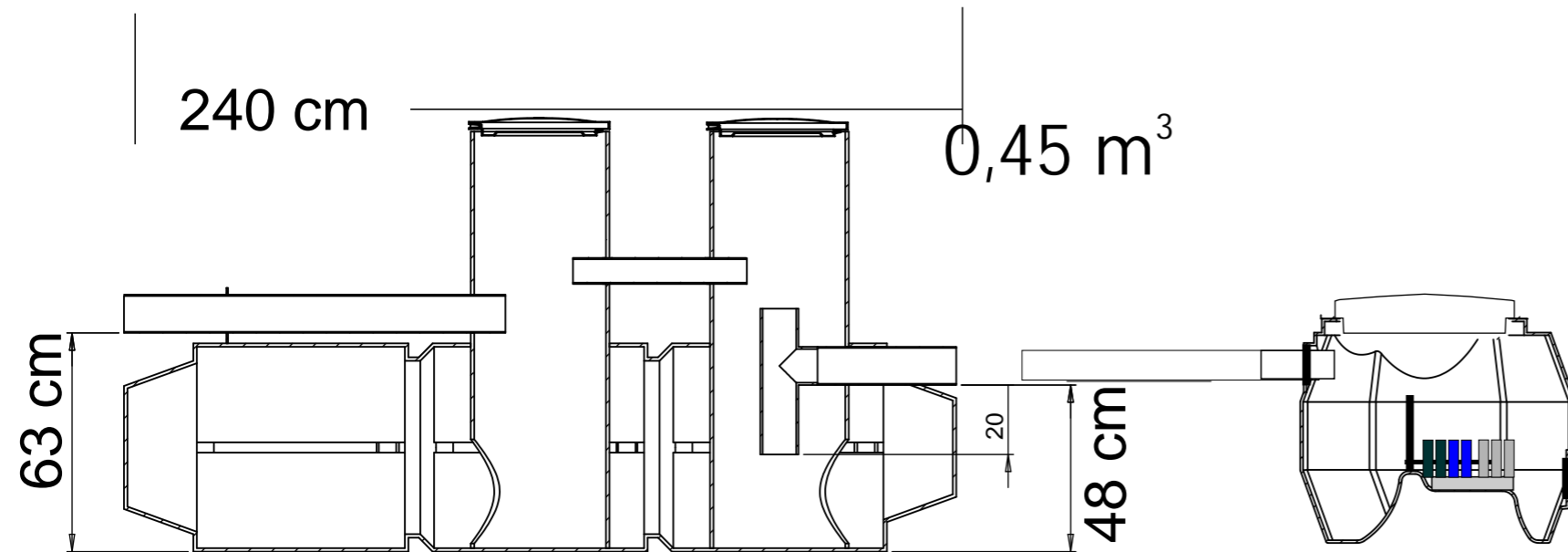
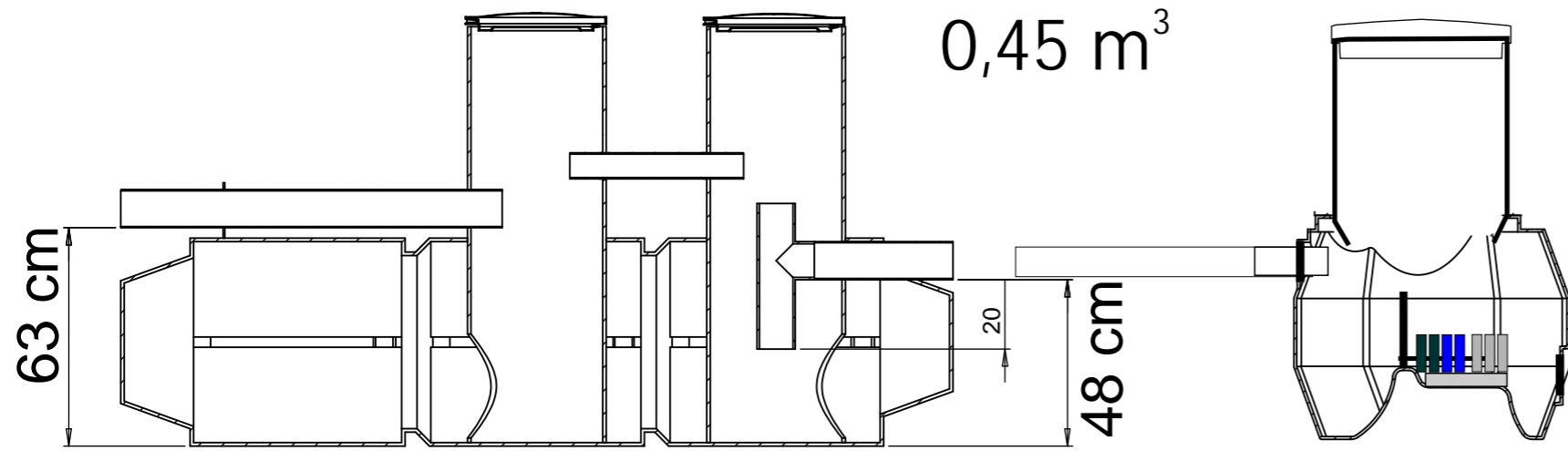
q-max 1200 l / 24 h - 300 l / h



		Scale:
	BioBox XL	2019
raitabiobox.fi		

Sk450 + BioBox XL (+) pakor

q-max 600 l / 24 h - 125 l / h



Malli, varustetaso, lisävarusteet:

Malli	Kapasiteetti l / 24 h	SK 450	Pakor
Bio-Box XL	600	+	+

Modell, utrustningsnivå, tilläggsutrustning::

Modell	Kapasitet l / 24 h	SK 450	Pakor
Bio-Box XL	600	+	+

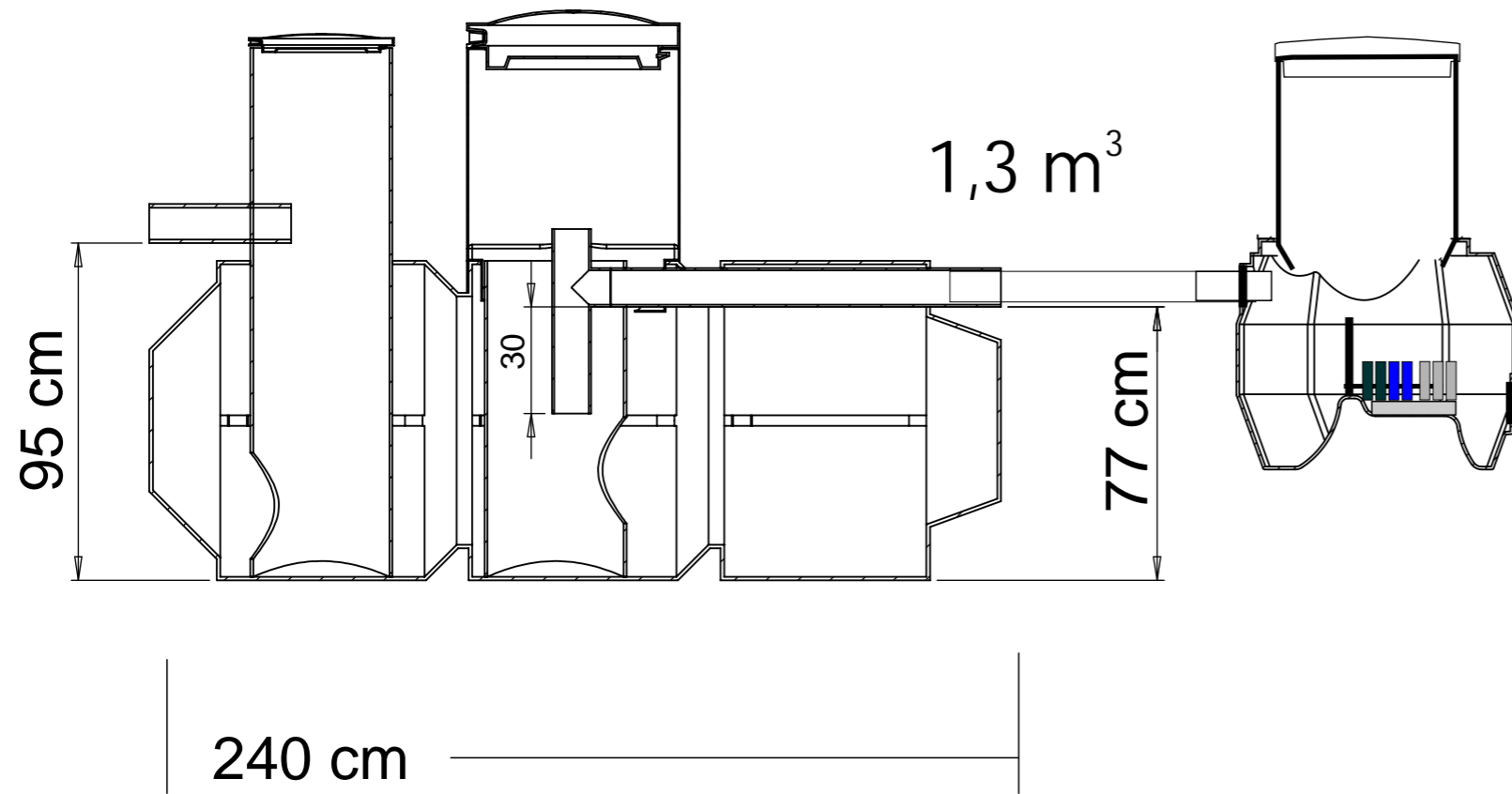
Model, equipment level, auxiliary equipment:

Model	Capacity l / 24 h	SK 450	Pakor
Bio-Box XL	600	+	+

		Scale:
	BioBox XL	2019
raitabiobox.fi		

Sk1300 + BioBox XL (+) pakor

q-max 600 l / 24 h - 200 l / h



Malli, varustetaso, lisävarusteet:

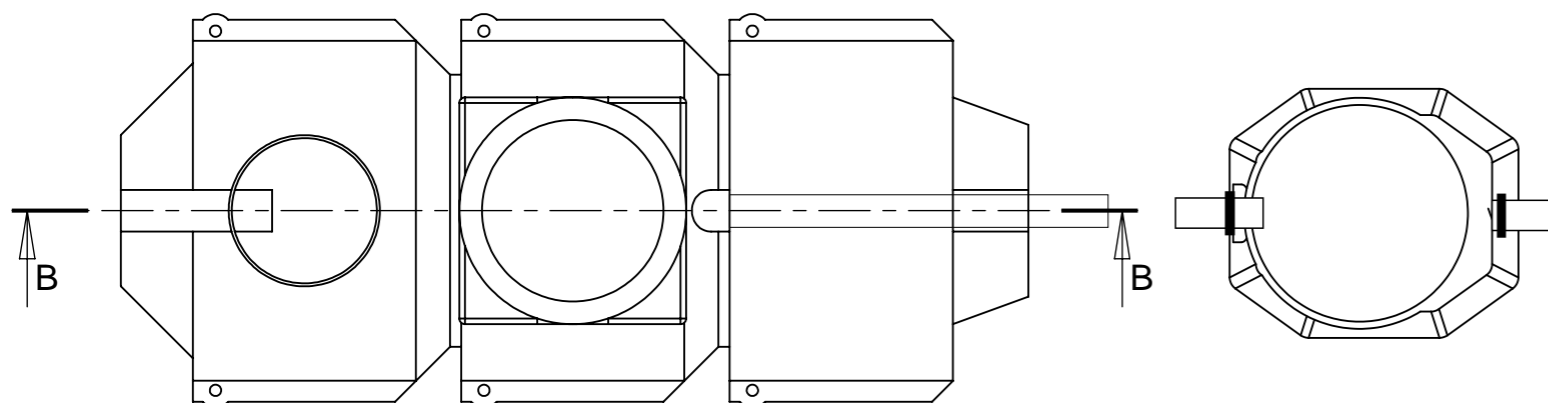
Malli	Kapasiteetti l / 24 h	SK 1300	Pakor
Bio-Box XL	600	+	+

Modell, utrustningsnivå, tilläggsutrustning::

Modell	Kapasitet l / 24 h	SK 1300	Pakor
Bio-Box XL	600	+	+

Model, equipment level, auxiliary equipment:

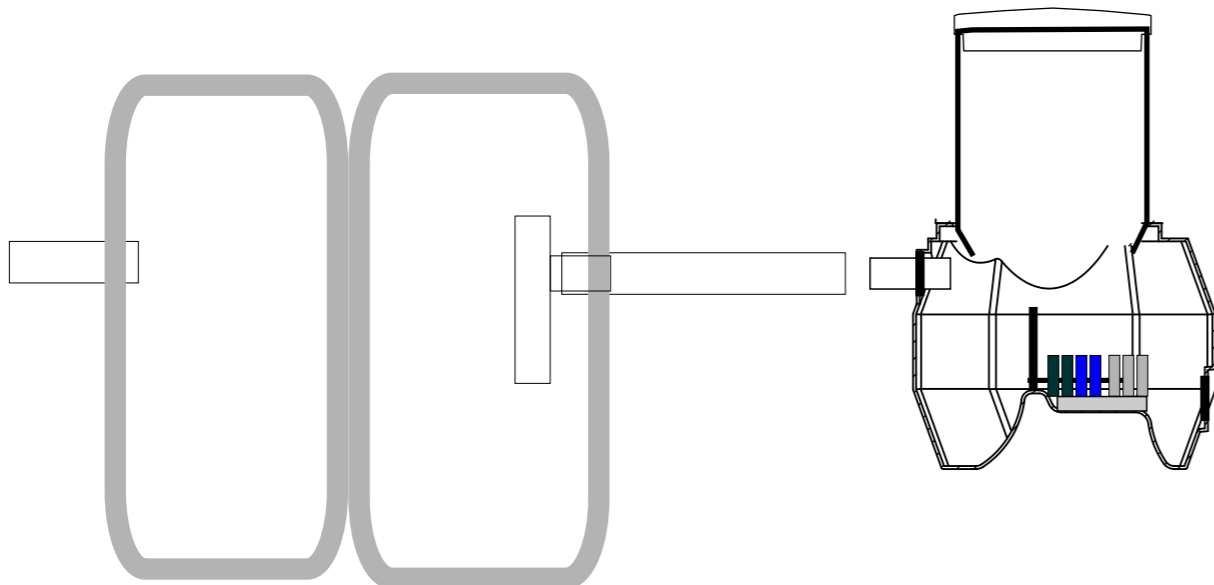
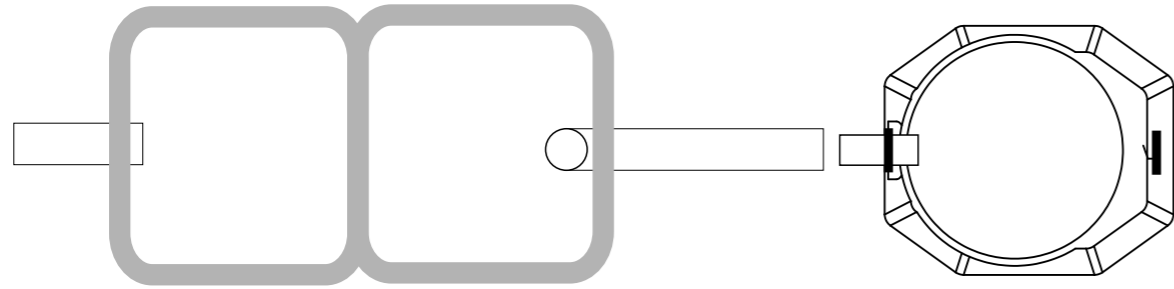
Model	Capacity l / 24 h	SK 1300	Pakor
Bio-Box XL	600	+	+



		Scale:
	BioBox XL	2019
raitabiobox.fi		

Vanha sakokaivo + BioBox XL (+) pakor

q-max 600 l/ 24 h - 125 l/ h



Vanhan saostuskaivo tarkastus:

- tarkastettava tiiveys
- poistossa t-haara
- viemärituuletus
- tilavuus; jäteveden viipymä kaivossa 1-1,5 vrk:tta (tilavuus min 400 l)

Kontroll av det befintliga slamavkliljaren:

- kontrollera täthet
- t-rörkoppling i utgående
- ventilation
- volym; min 1-1,5 x kapacitet/ 24 h (volym min 400 l)

Controll of the existing precipitation tank:

- controll tightness of the wells
- t-pipe connection for out going water
- ventilation
- volume; min 1-1,5 x capacity/24 h (volym min 400 l)

Malli, varustetaso, lisävarusteet:

Malli	Kapasiteetti l/ 24 h	SK 420	Pakor
Bio-Box XL	600	+	+

Modell, utrustningsnivå, tilläggsutrustning::

Modell	Kapasitet l/ 24 h	SK 420	Pakor
Bio-Box XL	600	+	+

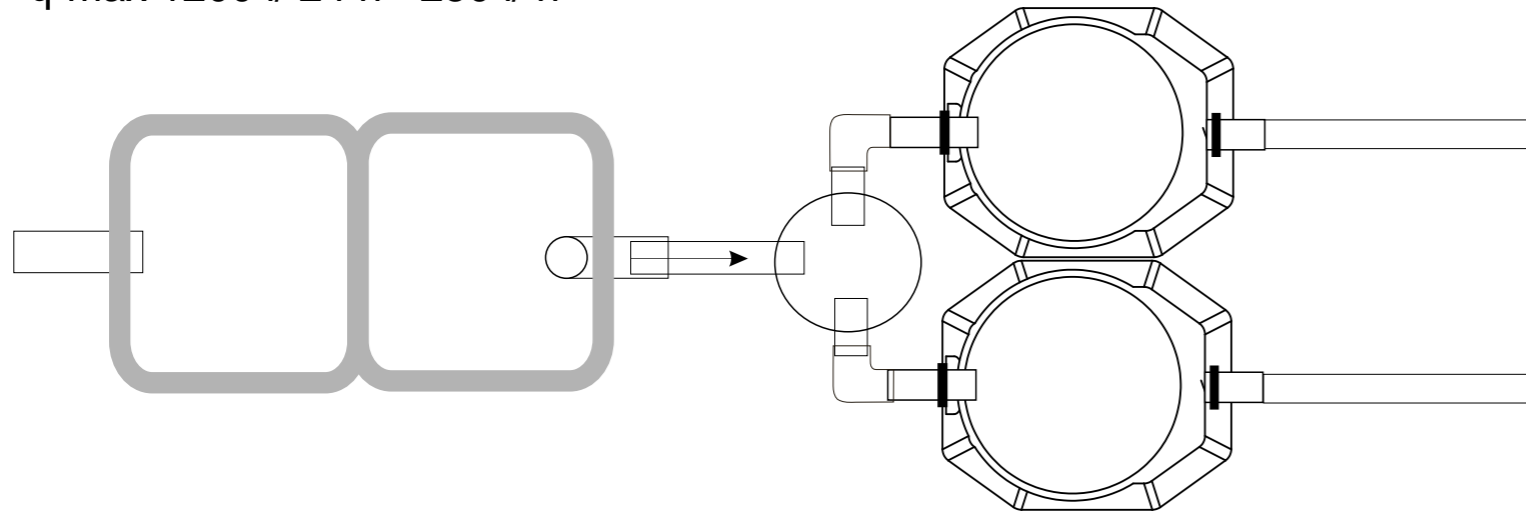
Model, equipment level, auxiliary equipment:

Model	Capacity l/ 24 h	SK 420	Pakor
Bio-Box XL	600	+	+

		Scale:
	BioBox XL	2019
raitabiobox.fi		

Vanha sakokaivo + BioBox XL (+) pakor

q-max 1200 l / 24 h - 250 l / h



Malli, varustetaso, lisävarusteet:

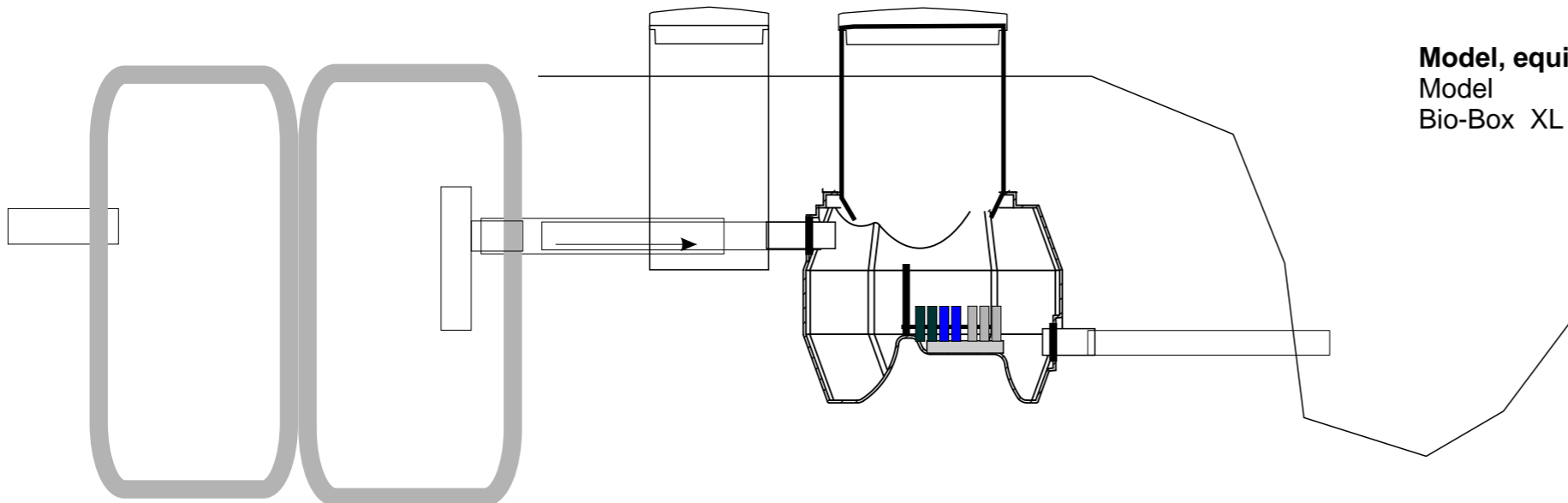
Malli	Kapasiteetti l / 24 h		
Bio-Box XL	600	+	+

Modell, utrustningsnivå, tilläggsutrustning::

Modell	Kapasitet l / 24 h		
Bio-Box XL	600	+	+

Model, equipment level, auxiliary equipment:

Model	Capacity l / 24 h		
Bio-Box XL	600	+	+



Vanhan saostuskaivo tarkastus:

- tarkastettava tiiveys
- poistossa t-haara
- viemärituuletus
- tilavuus; jäteveden viipymä kaivossa 1-1,5 vrk:tta (tilavuus min 400 l)

Kontroll av det befintliga slamavkliljaren:

- kontrollera täthet
- t-rörkoppling i utgående
- ventilation
- volym; min 1-1,5 x kapacitet/ 24 h (volym min 400 l)

Controll of the existing precipitation tank:

- controll tightness of the wells
- t-pipe connection for out going water
- ventilation
- volume; min 1-1,5 x capacitys/24 h (volym min 400 l)

		Scale:
	BioBox XL	2019
raitabiobox.fi		

JK 200 + BioBox XI (+) x 2

q-max 1200 l/ 24 h - 150 l/ h

Malli, varustetaso, lisävarusteet:

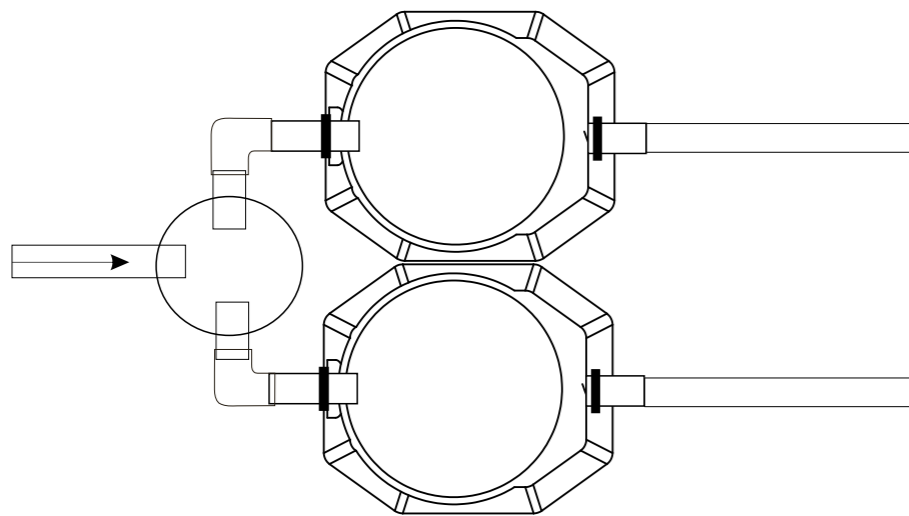
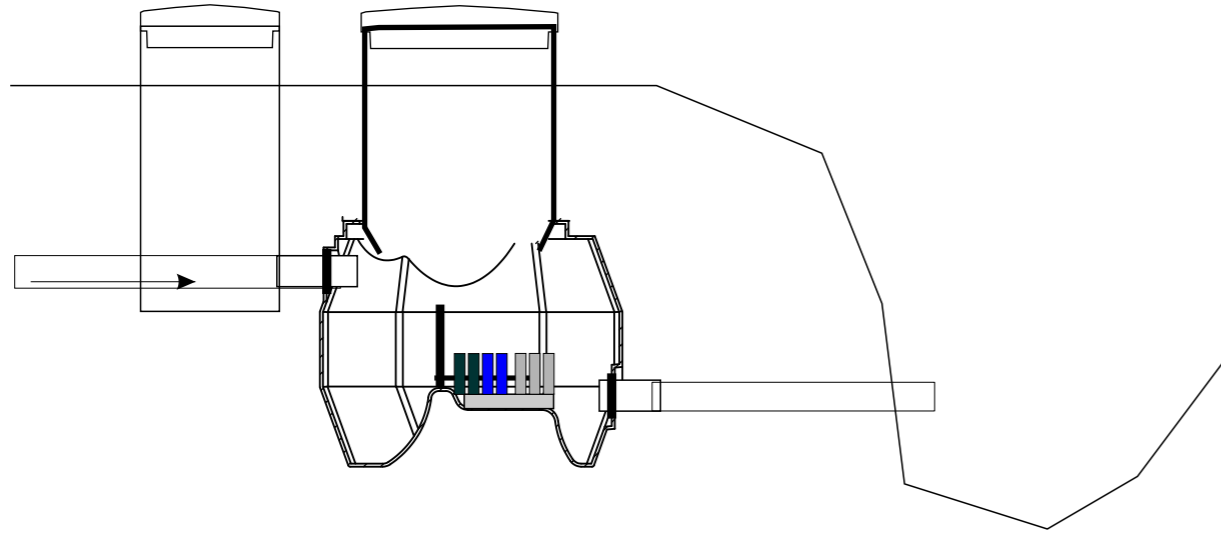
Malli	Kapasiteetti l/ 24 h	BM	Pakor
Bio-Box XL	600	+	+

Modell, utrustningsnivå, tilläggsutrustning::

Modell	Kapasitet l/ 24 h	BM	Pakor
Bio-Box XL	600	+	+

Model, equipment level, auxiliary equipment:

Model	Capacity l/ 24 h	BM	Pakor
Bio-Box XL	600	+	+



		Scale:
	BioBox XL	2019
raitabiobox.fi		

JK 200 + BioBox XI (+) x 2 + BM x 4

q-max 1200 l / 24 h - 250 l / h

Malli, varustetaso, lisävarusteet:

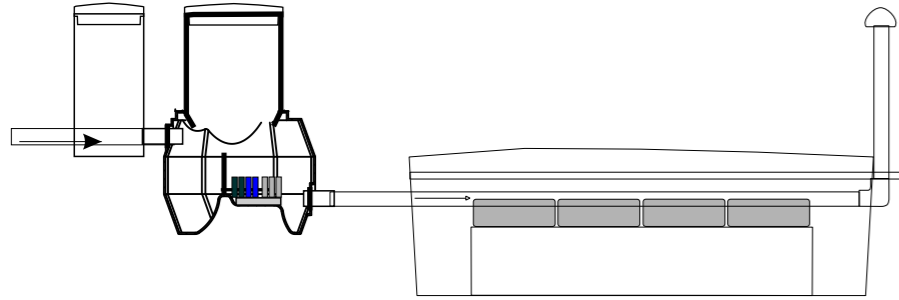
Malli	Kapasiteetti l / 24 h	BM	Pakor
Bio-Box XL	600	+	+

Modell, utrustningsnivå, tillägsutrustning::

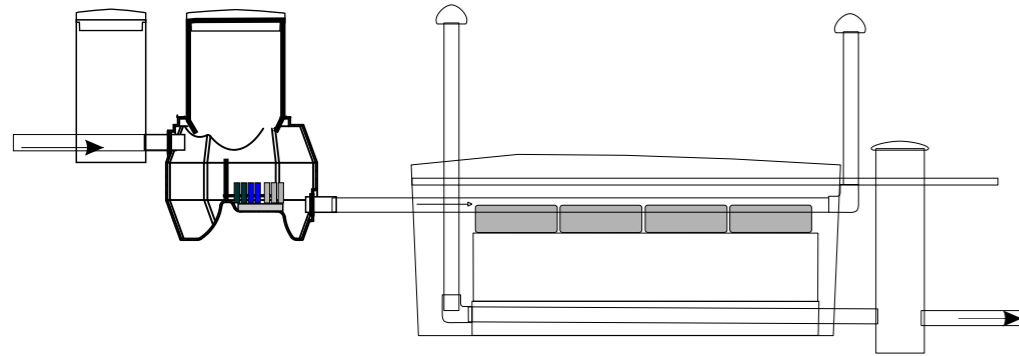
Modell	Kapasitet l / 24 h	BM	Pakor
Bio-Box XL	600	+	+

Model, equipment level, auxiliary equipment:

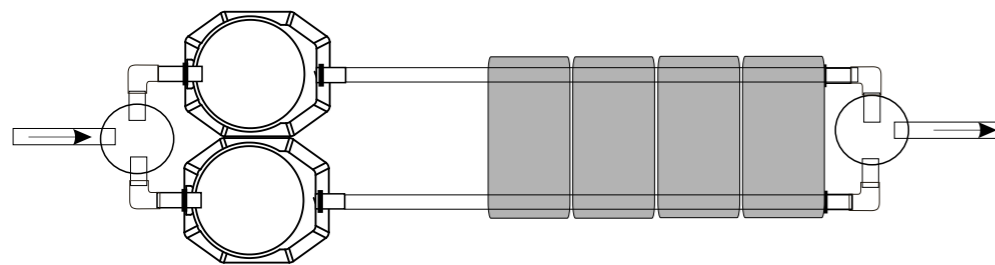
Model	Capacity l / 24 h	BM	Pakor
Bio-Box XL	600	+	+



Imeytys, infiltration



Suodatus, markbädd, biomodul /sand filter



		Scale:
	BioBox XL	2019
raitabiobox.fi		

JK 200 + BioBox XI (+) x 2 + BM x 6

q-max 1200 l / 24 h - 300 l / h

Malli, varustetaso, lisävarusteet:

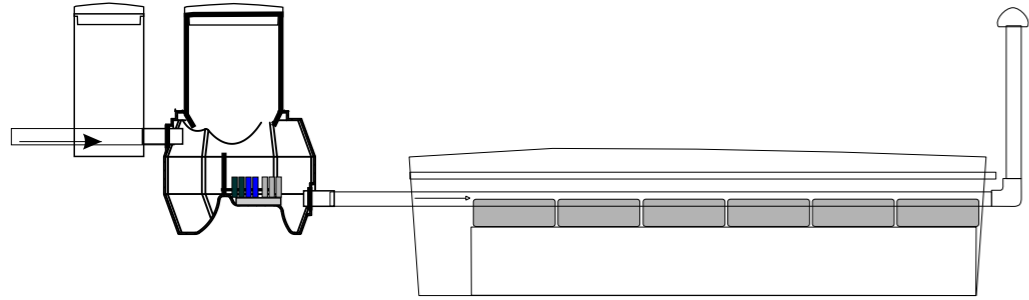
Malli	Kapasiteetti l / 24 h	BM	Pakor
Bio-Box XL	600	+	+

Modell, utrustningsnivå, tillägsutrustning::

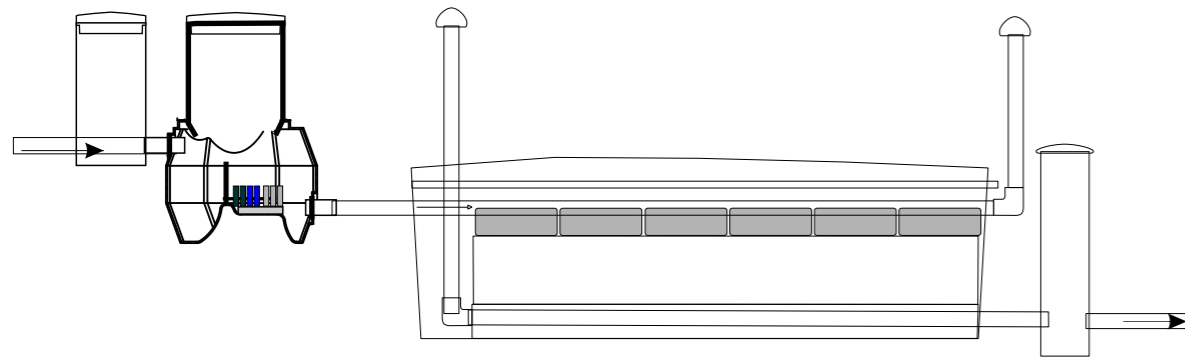
Modell	Kapasitet l / 24 h	BM	Pakor
Bio-Box XL	600	+	+

Model, equipment level, auxiliary equipment:

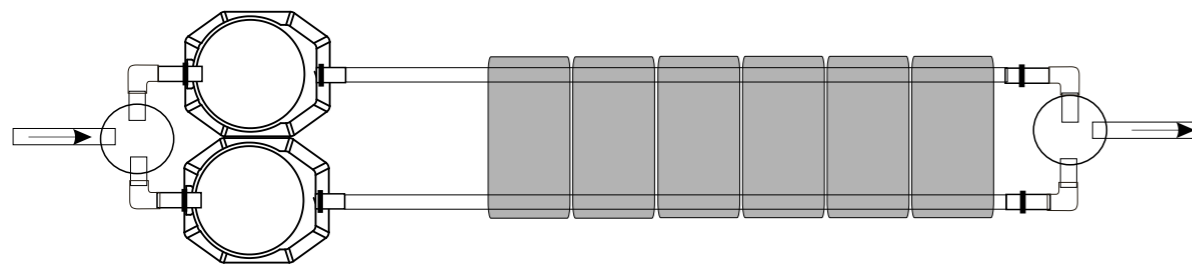
Model	Capacity l / 24 h	BM	Pakor
Bio-Box XL	600	+	+



Imeytys, infiltration



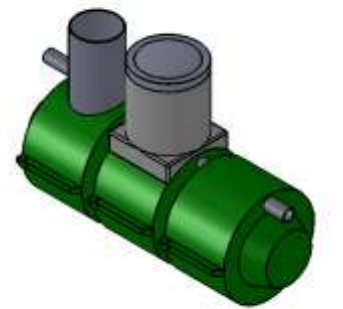
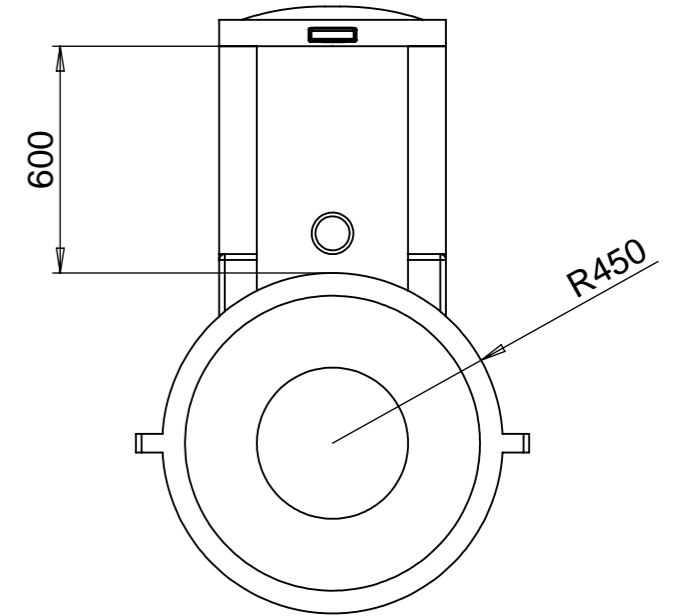
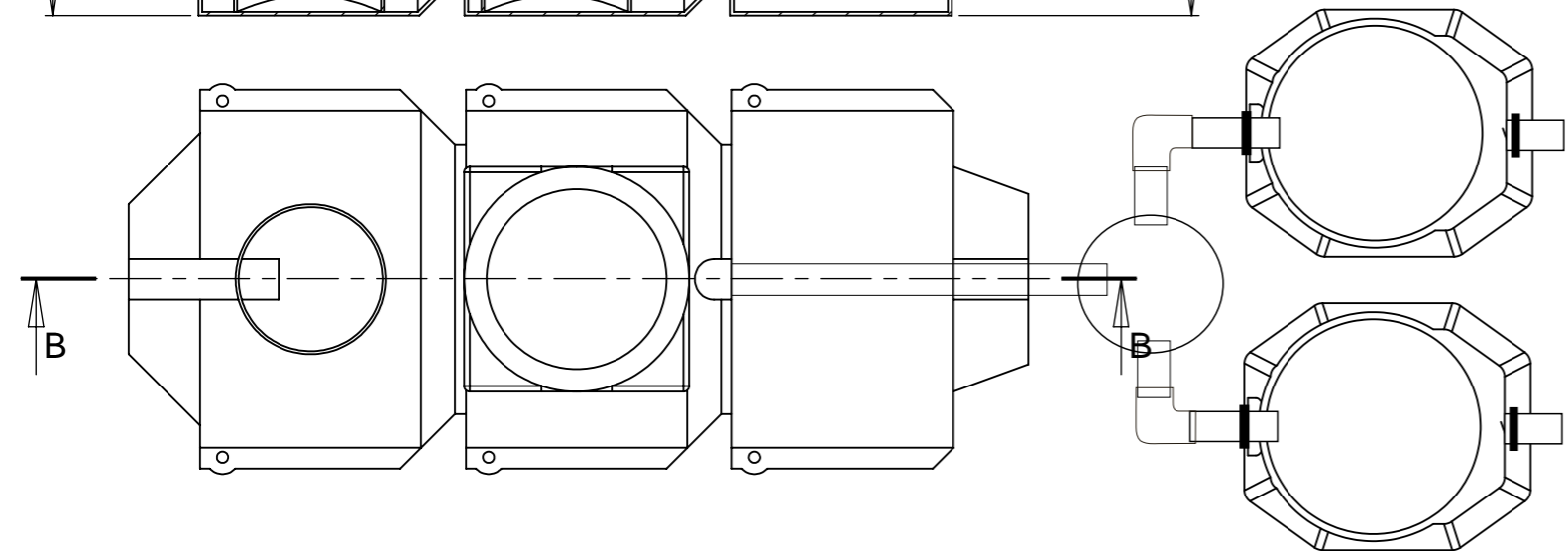
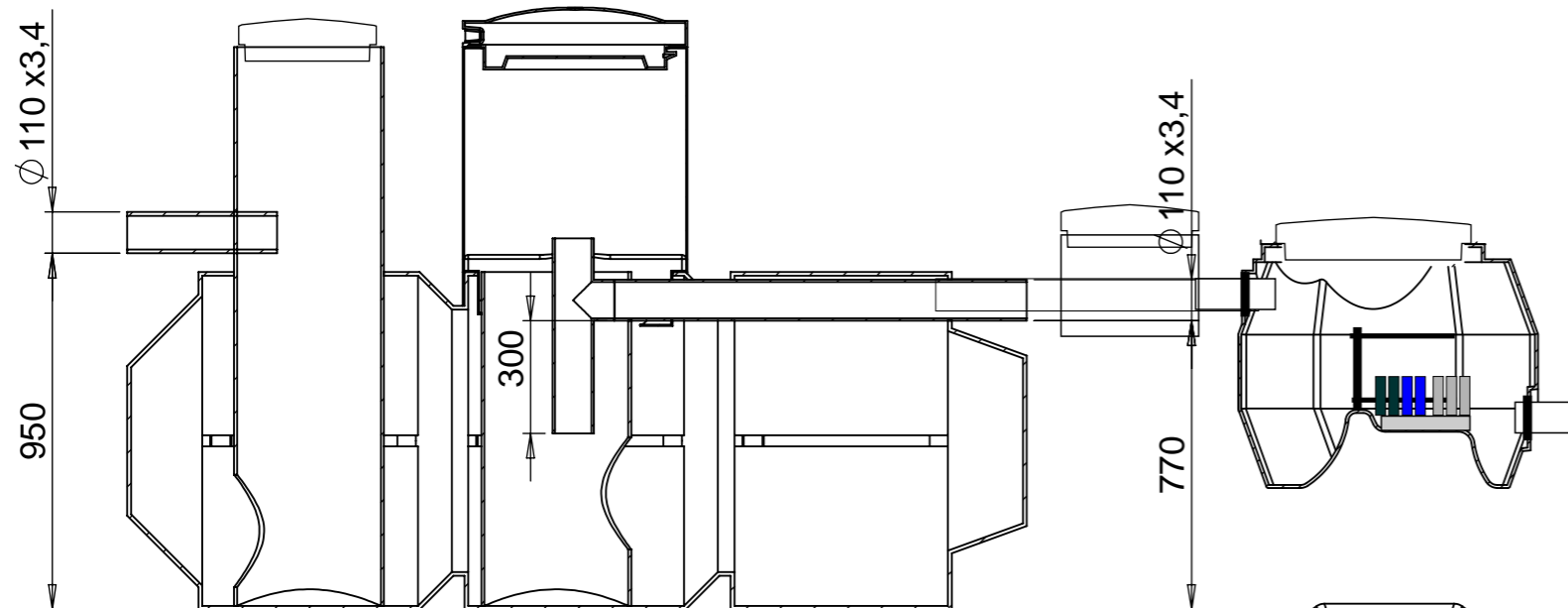
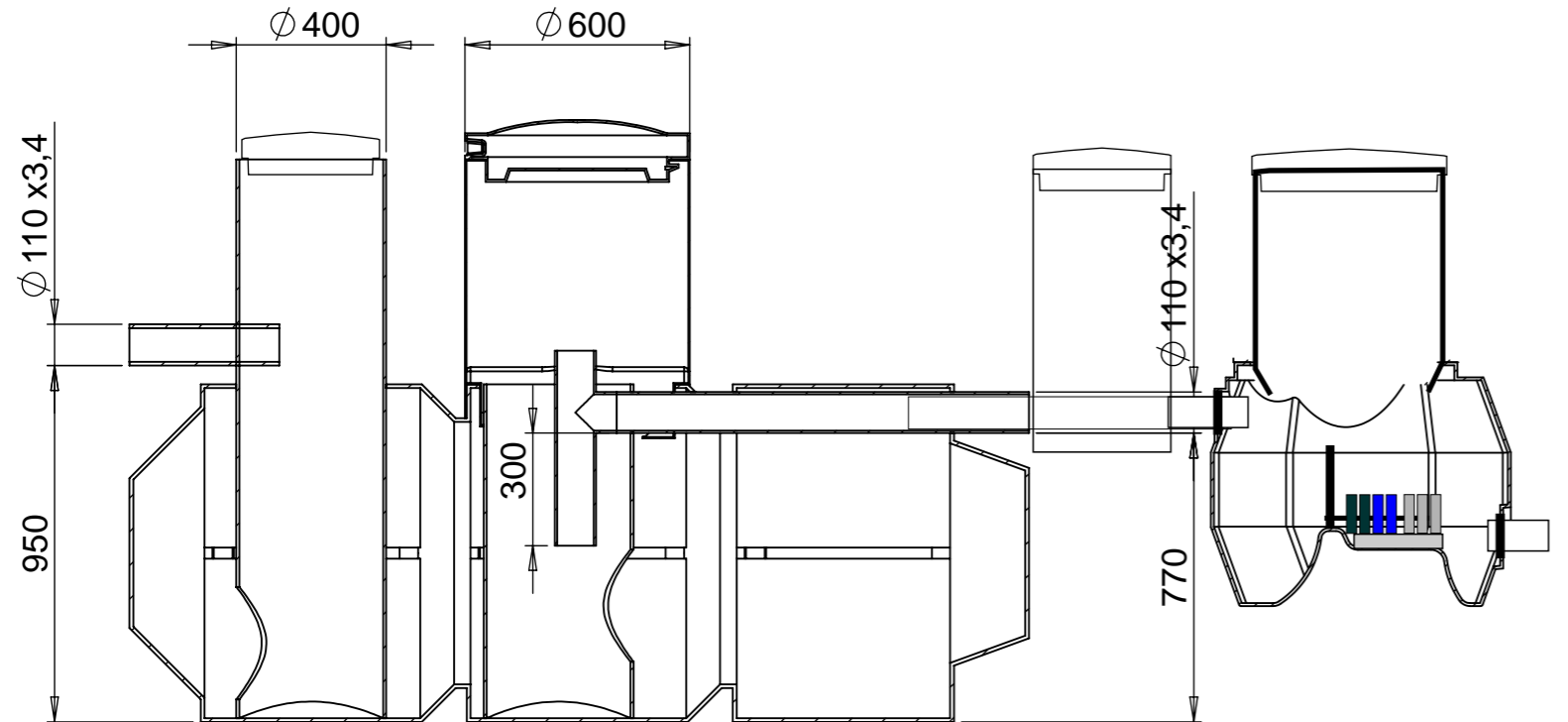
Suodatus, markbädd, biomodul /sand filter



		Scale:
	BioBox XL	2019
raitabiobox.fi		

Sk1300 + Jk200 + 2x BioBox XL (+) pakor

q-max 1200 l / 24 h - 300 l / h8



Malli, varustetaso, lisävarusteet:

Malli	Kapasiteetti l / 24 h	SK1300	Pakor
Bio-Box XLx2	1200	+	+

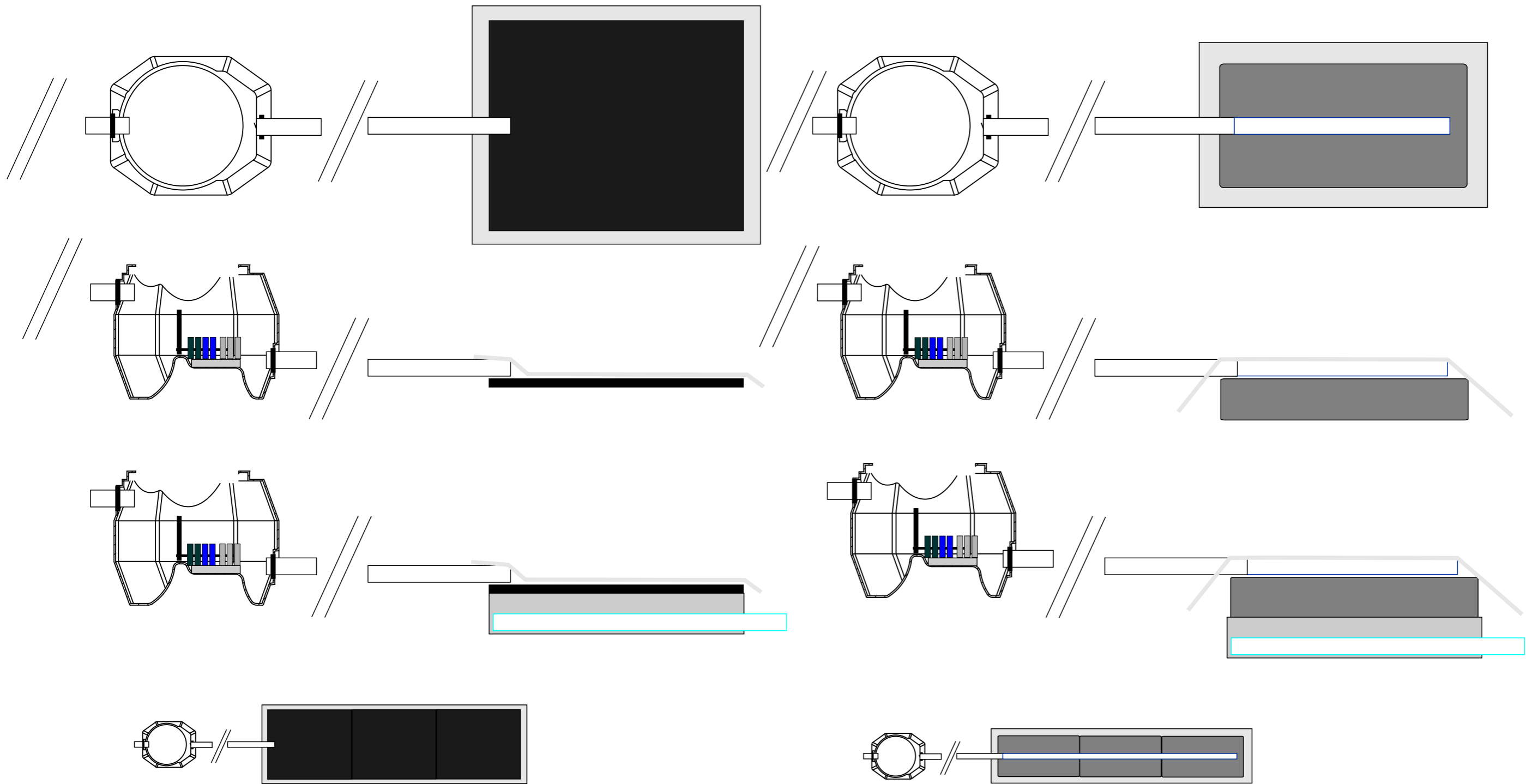
Modell, utrustningsnivå, tilläggsutrustning::

Modell	Kapasitet l / 24 h	SK1300	Pakor
Bio-Box XLx2	1200	+	+

Model, equipment level, auxiliary equipment:

Model	Capacity l / 24 h	SK1300	Pakor
Bio-Box XLx2	1200	+	+

		Scale:
	BioBox XL	2019
raitabiobox.fi		



Malli, varustetaso, lisävarusteet:

Malli	Kapasiteetti l/ 24 h	SK 420	SK600	SK1200 SAV	BM	Pakor
Bio-Box XL	600				+	

Modell, utrustningsnivå, tilläggsutrustning::

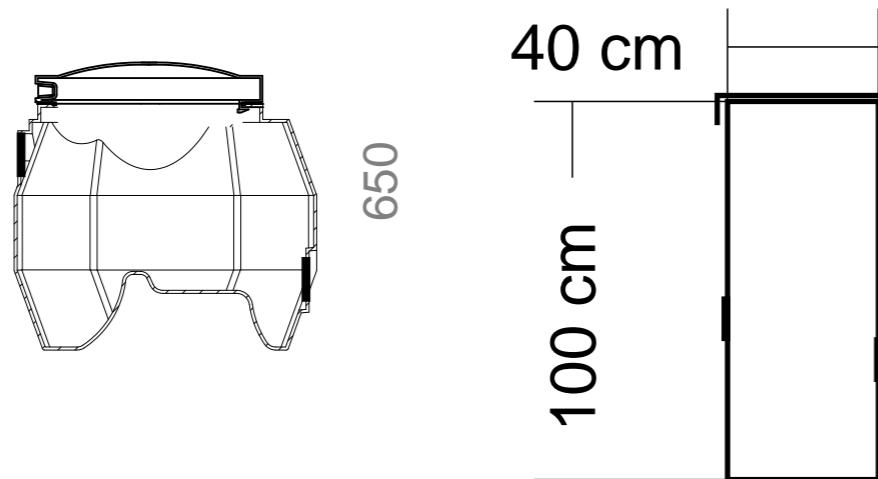
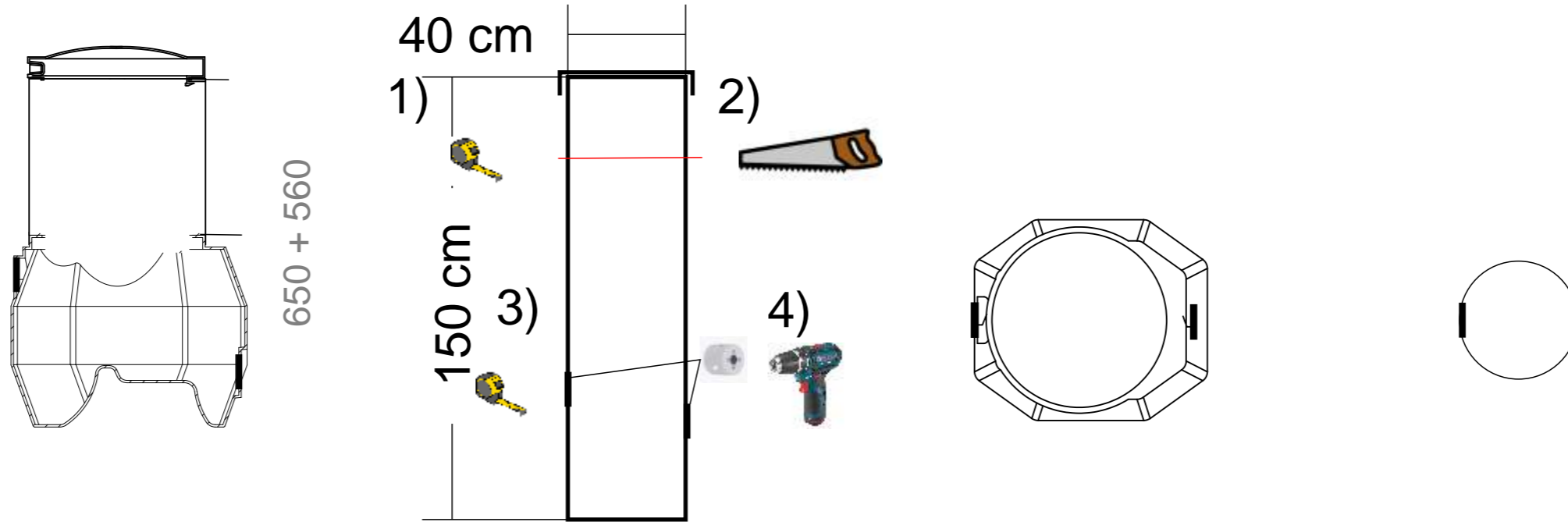
Modell	Kapasitet l/ 24 h	SK 420	SK600	SK1200 SAV	BM	Pakor
Bio-Box XL	600				+	

Model, equipment level, auxiliary equipment:

Model	Capacity l/ 24 h	SK 420	SK600	SK1200 SAV	BM	Pakor
Bio-Box XL	400				+	

		Scale:
	BioBox XL	2019
raitabiobox.fi		

BioBox XI | XL + | M - Näytteenottokaivo



		Scale:
	BioBox XL	2019
raitabiobox.fi		